

**NOTE:** Assemble as close to assembled units final desired location to avoid moving a heavy unit.

**1.** Position and install two (2) to four (4) legs onto the bottom of the rectangular top as shown using pre-drilled pilot holes.

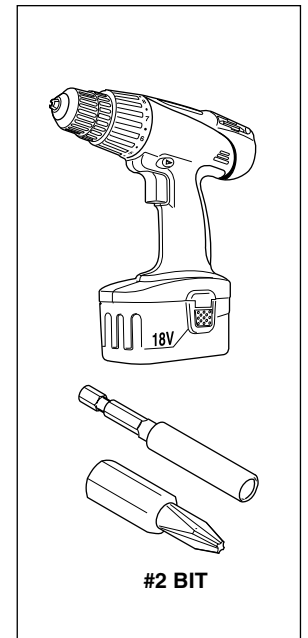
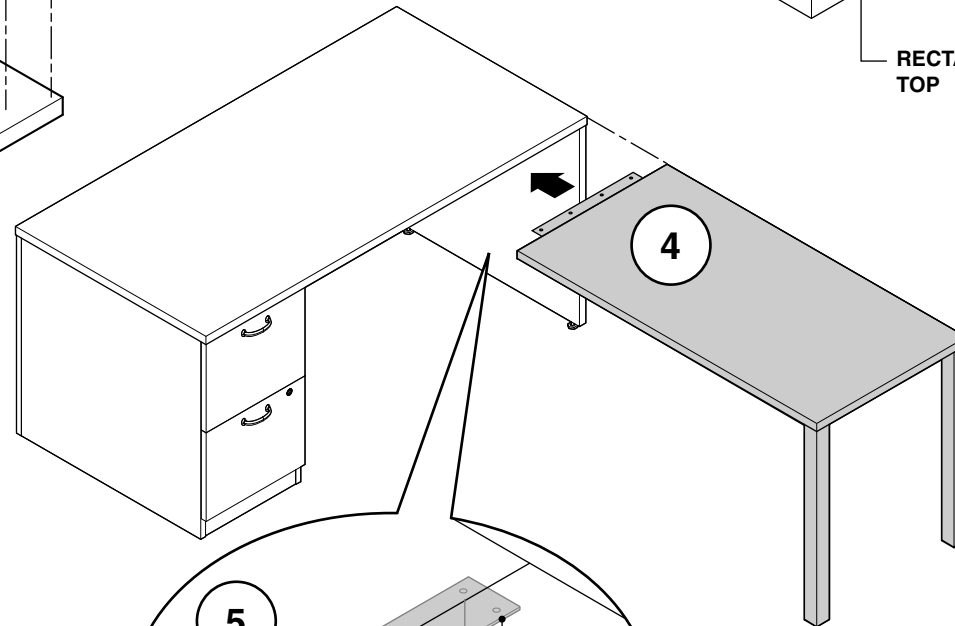
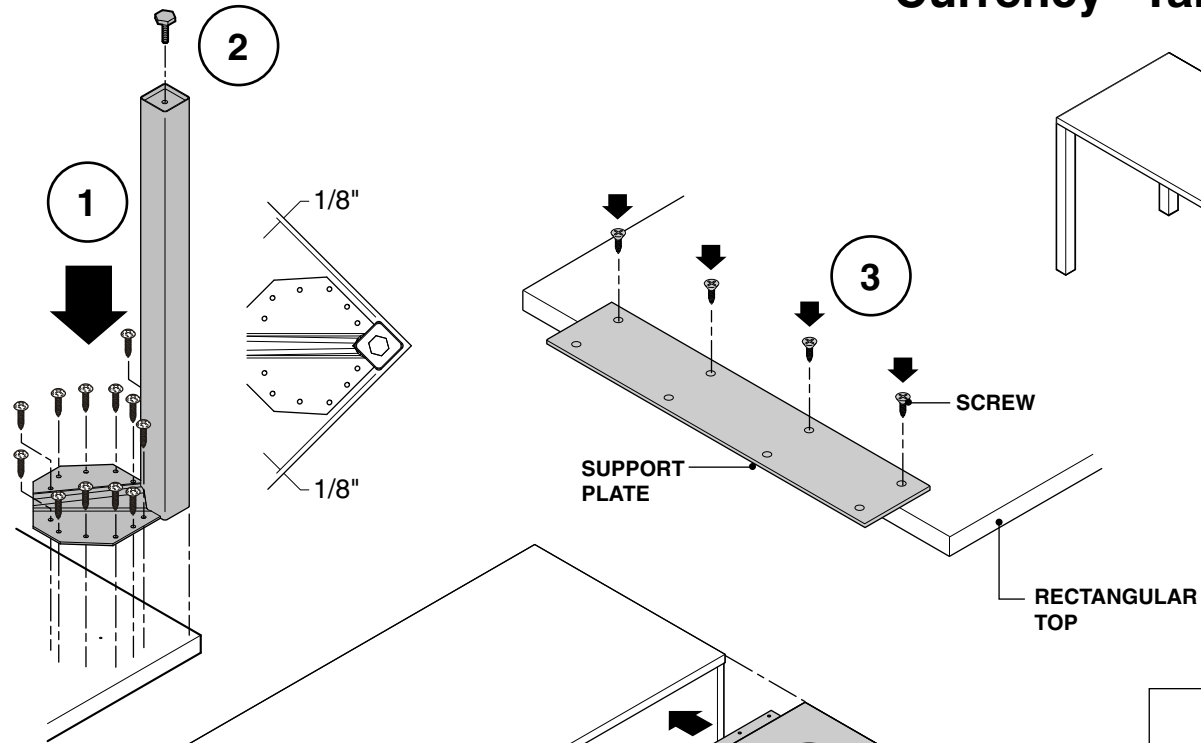
**2.** Install the glide on the bottom of each leg.

**If using as a return:**

**3.** Place support plate to the underside of rectangular top, and secure using four (4) screws.

**4.** Using two (2) people, turn the rectangular top upright. Slide rectangular top toward desk unit making sure support plate rests on the underside of the desktop.

**5.** Secure the support plate to the underside of the desk using four (4) screws.



If you have a problem, question, or request, call your local dealer, or Steelcase Line 1 at **888.STEELCASE** (888.783.3522) for immediate action by people who want to help you.

(Outside the U.S.A., Canada, Mexico, Puerto Rico, and the U.S. Virgin Islands, call: 1.616.247.2500) Or visit our website: [www.steelcase.com](http://www.steelcase.com)

© 2012 Steelcase Inc.  
Grand Rapids, MI 49501  
U.S.A.

Printed in U.S.A.