

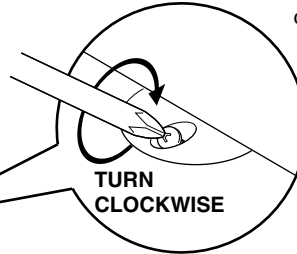
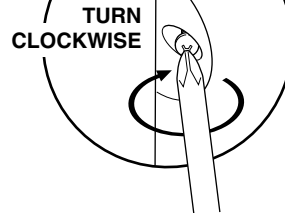
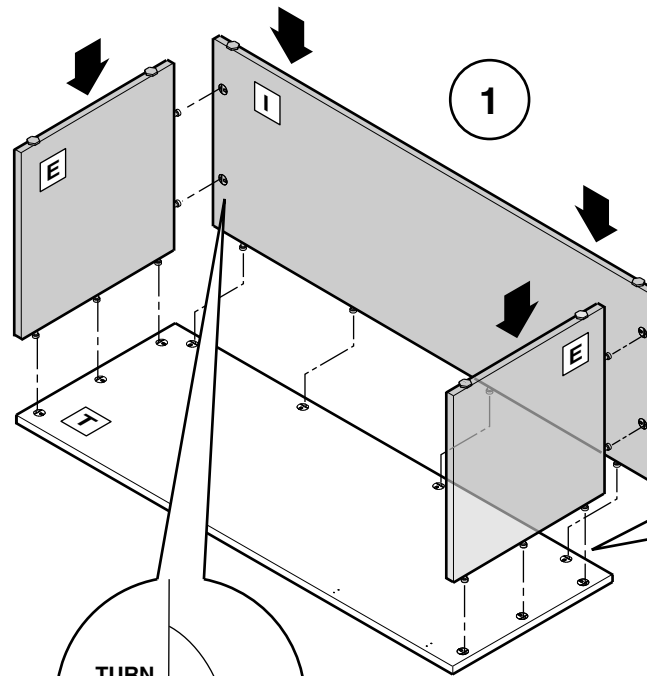
Components

Letter	Description
E	Full End Panel
T	Top
I	Modesty panel

NOTE: Assemble as close to assembled unit's final desired location to avoid moving a heavy unit.

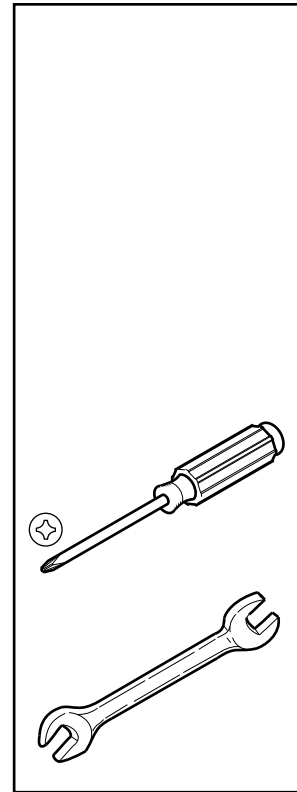
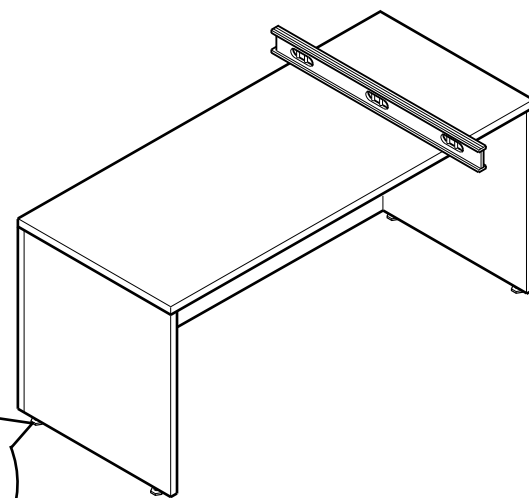
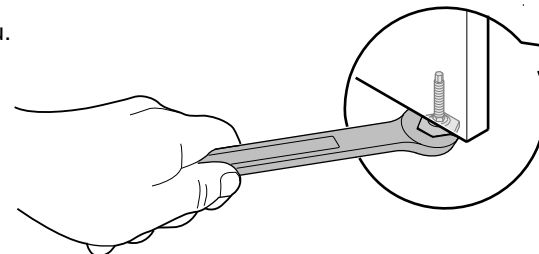
1. Lower the I (modesty panel) onto the underside of T (top). Make sure pins engage into cams (see page 2). Lower both E (full end panels) onto the underside of the top. (Rock modesty panel slightly for installation) Make sure pins engage into cams. Tighten all cams.

2. Turn unit over and adjust glides in four (4) places on the bottom of the unit and level unit.



Fasten Cam Locks in 10 places
(The cam lock screw needs to be turned 3/4 full turn or 270° clockwise for complete engagement.)

Fasten Cam Locks in 4 places
(The cam lock screw needs to be turned 3/4 full turn or 270° clockwise for complete engagement.)



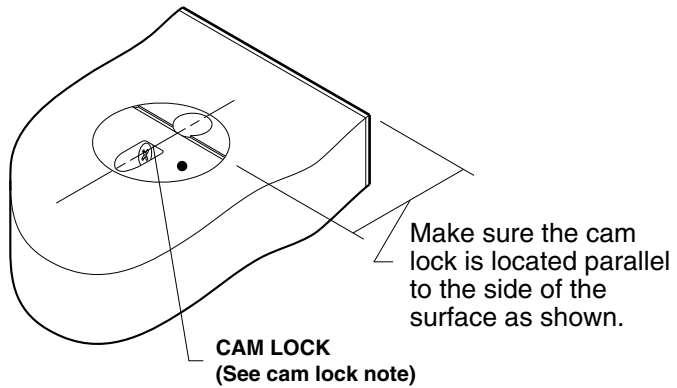
If you have a problem, question, or request, call your local dealer, or Steelcase Line 1 at **888.STEELCASE** (888.783.3522) for immediate action by people who want to help you.

(Outside the U.S.A., Canada, Mexico, Puerto Rico, and the U.S. Virgin Islands, call: 1.616.247.2500) Or visit our website: www.steelcase.com

© 2012 Steelcase Inc.
Grand Rapids, MI 49501
U.S.A.

Printed in U.S.A.

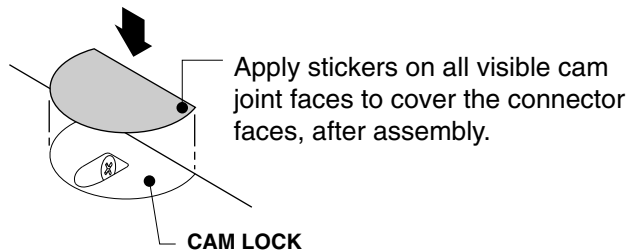
(Tips for Proper Alignment of Parts)



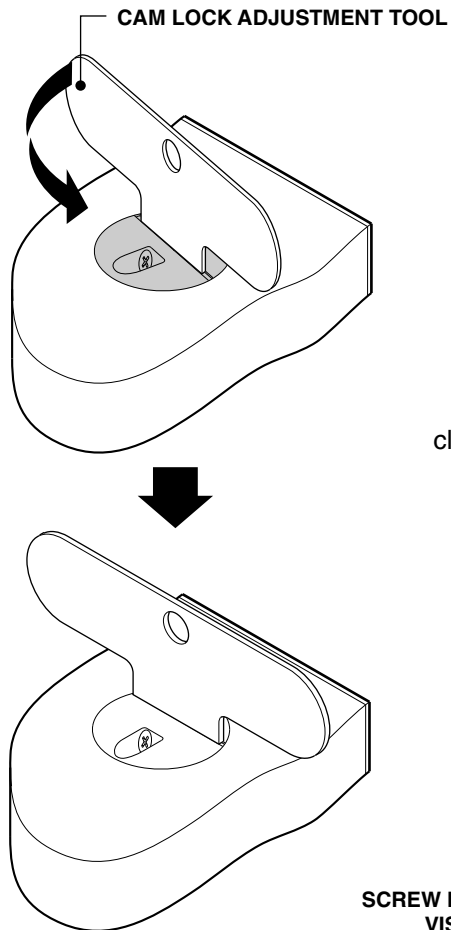
CAM LOCK NOTE:

If cam lock is installed high on the surface, tap it down flush with the surface. If that doesn't work, replace part.

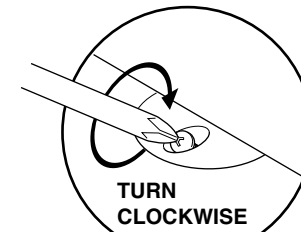
If cam lock is installed low into the surface, screw cam pin out to extend the length of the cam pin.



NOTE: When assembly has been **completed**, make sure to remove all of the E, B, I, ect. stickers from the surfaces of all the parts.

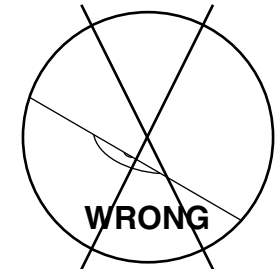


Use mallet, before tightening cam screws, to bring parts together and avoid light leaks.



Fasten Cam Locks

(The cam lock screw needs to be turned 3/4 full turn or 270° clockwise for complete engagement.)



If the cam lock screw is not visible, you have installed the panel/shelf wrong and you need to turn the panel/shelf 180°.

NOTE: The cam pin is offset and needs to be installed on the shorter offset side. If the screw heads are not visible, turn the panel/shelf 180°.

