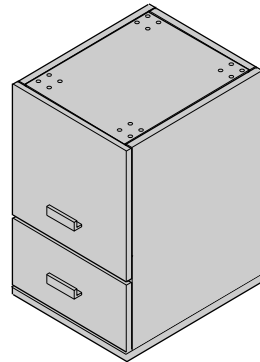


## Mobile Pedestal Caster Installation

**1.** Turn the mobile pedestal to an upside down position on a clean, scratch resistant surface.

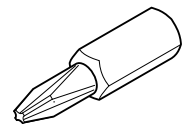
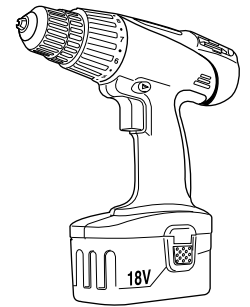
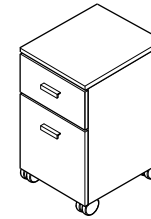
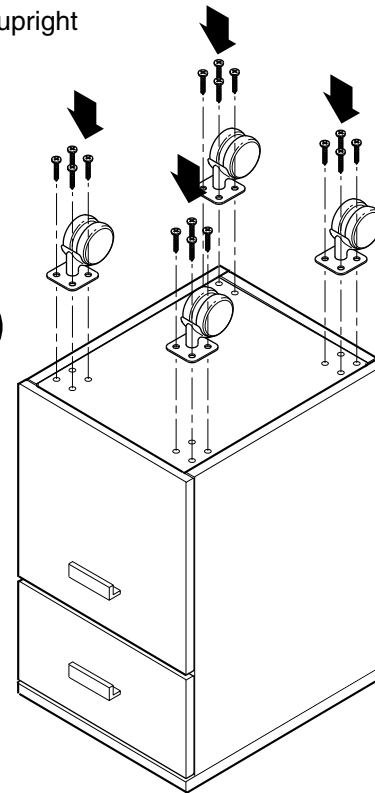
1



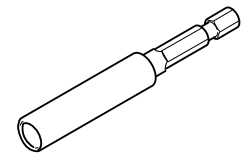
**2.** Attach casters on all four (4) corners of the mobile pedestal using four (4) screws per caster.

**3.** Turn the mobile pedestal to an upright position.

2



#2 ACR BIT



If you have a problem, question, or request, call your local dealer, or Steelcase Line 1 at **888.STEELCASE** (888.783.3522) for immediate action by people who want to help you. (Outside the U.S.A., Canada, Mexico, Puerto Rico, and the U.S. Virgin Islands, call: 1.616.247.2500) Or visit our website: [www.steelcase.com](http://www.steelcase.com)

© 2012 Steelcase Inc.  
Grand Rapids, MI 49501  
U.S.A.

Printed in U.S.A.

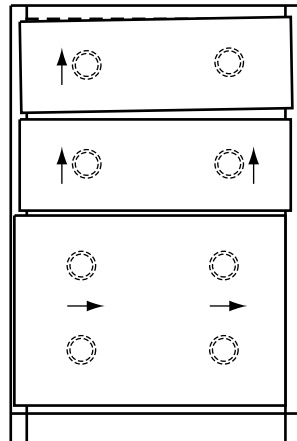
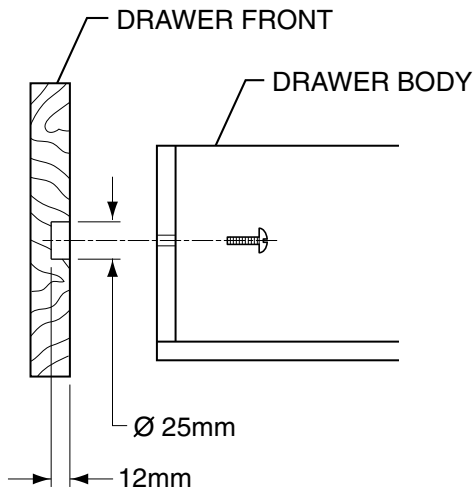
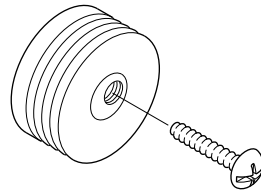
## Currency Adjustments for Drawer Fronts, Level Glides and Removal of Box File Drawers

### DRAWER FRONT ADJUSTMENT

Leveler adjusts 1/8" in ANY direction.

Remove two (2) or four (4) screws, that hold the drawer front to the drawer body.

Alignment is done simply by loosening the screw and retightening when alignment has been made.



### REMOVE BOX AND FILE DRAWERS

Pull the box or file drawer out until it stops. Press down on the lock catch on each side of drawer and pull out on the drawer as shown.

