

CATALOG #: \_\_\_\_\_

Type: \_\_\_\_\_

PROJECT: \_\_\_\_\_

**FEATURES**

- Available with LINKTair wireless fixture controls, by Williams
- Maximize energy savings with efficacies as high as 154 lm/W
- Scalable footprint and variable lumen outputs
- Frosted lens reduces glare
- Optimized for single person installation
- Energy-saving alternative designed to replace traditional HID or fluorescent high bay fixtures
- Variety of mounting options for surface and suspended applications
- Made Right Here® in the USA

**SPECIFICATIONS**

- HOUSING** – Die-formed steel housing.
- SHIELDING** – Frosted acrylic.
- FINISH** – 92% minimum average reflective white polyester powder coat bonded to phosphate-free, multi-stage pretreated metal. All parts painted after fabrication to facilitate installation, increase efficiency, and inhibit corrosion.
- ELECTRICAL** – High quality mid-power LED boards. L70 at 65,000 hours. 55°C maximum ambient operating temperature when specified with HA option, lumen restrictions apply, consult fixture performance data.
- MOUNTING** – Suspended. Surface mount kit available.
- LISTINGS** – cCSAus certified as luminaire suitable for dry or damp locations.
- WARRANTY** – 5-year limited warranty, see [hew.com/warranty](http://hew.com/warranty).

**ORDERING EXAMPLE: GH - 2 - L240/840 - FA - OPTIONS - DIM - UNV**

**ORDERING INFO**

SERIES	LENGTH	LUMENS <sup>[1]</sup>	CRI	CCT	TEMPERATURE	SHIELDING
GH	2 2'	2'	8 80	35 3500K	- 40°C ambient operating temperature	FA Frosted acrylic
	4 4'	L80 8,000lm	9 90 <sup>[2]</sup>	40 4000K		FP Frosted polycarbonate
		L120 12,000lm		50 5000K	HA High ambient operating temperature, 55°C <sup>[3]</sup>	HE High efficacy
		L180 18,000lm	L120 12,000lm			ND Narrow distribution
		L180 18,000lm	L180 18,000lm			
		L240 24,000lm	L240 24,000lm			
		L300 30,000lm	L300 30,000lm			
		L300 30,000lm	L400 40,000lm			
		L360 36,000lm	L480 48,000lm			
			L540 54,000lm			
		L600 60,000lm				
		L660 66,000lm				
		L720 72,000lm				

**OPTIONS <sup>[4]</sup>**

- EM/10W** 10-watt emergency battery
- EM/12W** 12-watt emergency battery
- EM/20W** 20-watt emergency battery
- UP** Uplight <sup>[6]</sup>
- WG11** 11-gauge wireguard, field-installed
- WG11 F&I** 11-gauge wireguard, factory installed
- VBV** (2) Y-hangers
- VBV-2** (2) Y-hangers and (2) 2' chains
- GC2/Y18/5** (2) Cable suspension kits, 5' length
- GC2/Y18/10** (2) Cable suspension kits, 10' length
- HUB MT** Cast iron hub and junction box for single 3/4" pendant mount <sup>[7]</sup>
- HUB/HOOK MT** Cast iron hub with mounting hook <sup>[8]</sup>
- HOOK/CABLE** Hook and cable mounting kit, 10'
- GH-SMK** Surface mount kit <sup>[9]</sup>
- 6CPI/L5-15P/TWLK** 6' cord and NEMA twistlock 15 AMP plug, 120V <sup>[10]</sup>
- 6CPI/L7-15P/TWLK** 6' cord and NEMA twistlock 15 AMP plug, 277V <sup>[11]</sup>

**OCCUPANCY SENSORS <sup>[12]</sup>**

- OCCWS FSP-321B-L\_-120-480** Bluetooth enabled factory-installed occupancy and daylight control, 120V–480V <sup>[13]</sup>
- OCCWS FSP-221B-L\_-120-480** Factory-installed occupancy and daylight control, 120V–480V <sup>[14]</sup>
- FSIR-100** Remote controller for occupancy sensor FSP-221B. <sup>[15]</sup>

**CONTROL <sup>[5]</sup>**

- DIM** Dimming driver
- DRV** Non-dimming driver
- LA-R/DA** LINKTair wireless fixture control, RF only <sup>[16]</sup>
- LA-SL1/DA** LINKTair wireless fixture control with occupancy and daylight sensor, L1 lens <sup>[17]</sup>
- LA-SL2/DA** LINKTair wireless fixture control with occupancy and daylight sensor, L2 lens <sup>[18]</sup>

**VOLTAGE**

- 120** 120V
- 277** 277V
- UNV** 120-277V
- 347** 347V with stepdown transformer <sup>[19]</sup>
- 480** 480V with stepdown transformer <sup>[20]</sup>



**NOTES**

- Lumen output based on 4000 CCT. Actual lumens may vary +/-5%, see page 2 for FIXTURE PERFORMANCE DATA.
- Extended lead times may apply. Consult factory for availability.
- May increase fixture width. Lumen restrictions apply. Must be suspended minimum 18" from ceiling. See page 2 for FIXTURE PERFORMANCE DATA.
- See page 4 for MOUNTING DETAILS.
- See page 3 for ADDITIONAL CONTROL OPTIONS.
- Percentage of uplight depends on fixture width. See page 2 for FIXTURE PERFORMANCE DATA. Not available with ND Shielding.
- Shipped not attached.
- Shipped not attached.
- Not available with HA Option. See page 4 for SURFACE MOUNT KIT DETAILS.
- DRV only.
- DRV only.
- See page 5 for OCCUPANCY SENSOR DETAILS.
- Must specify lens: L3 or L7. Adjustable via sensor configuration app.
- Must specify lens: L3 or L7. Adjustable via remote. Optional FSIR-100 remote controller available, ordered separately.
- Please specify quantity required per project, ships separately.
- Provided with dimming driver with 12V auxiliary.
- Provided with dimming driver with 12V auxiliary. See page 5 for LINKTair wireless SENSOR DETAILS.
- Provided with dimming driver with 12V auxiliary. See page 5 for LINKTair wireless SENSOR DETAILS.
- Not available with EM batteries
- Not available with EM batteries



## FIXTURE PERFORMANCE DATA

	LED PACKAGE	STANDARD TEMPERATURE (40°C MAXIMUM AMBIENT)				HA TEMPERATURE (55°C MAXIMUM AMBIENT)			
		DELIVERED LUMENS	WATTAGE	EFFICACY (lm/W)	WIDTH	DELIVERED LUMENS	WATTAGE	EFFICACY (lm/W)	WIDTH
2'	L80	8,075	55.9	144.5	12"	8,075	55.9	144.5	12"
	L120	11,922	90.8	131.3	12"	12,246	79.4	154.2	18"
	L180	18,009	125.9	143.0	18"	18,357	121.5	151.1	24"
	L240	23,470	176.8	132.7	18"	24,001	163.92	146.4	24"
	L300	31,000	227.7	136.1	24"	—	—	—	—
	L360	35,765	272.6	131.2	24"	—	—	—	—
4'	L120	—	—	—	—	12,246	79.4	154.2	12"
	L180	18,009	125.9	143.0	12"	—	—	—	—
	L240	23,510	177.9	132.2	12"	—	—	—	—
	L300	—	—	—	—	31,210	215.8	144.6	18"
	L400	40,295	293.2	137.4	18"	40,268	268.9	149.8	24"
	L480	47,687	363.5	131.2	18"	48,002	327.9	146.4	24"
	L540	54,031	372.2	145.2	24"	—	—	—	—
	L600	61,173	429.8	142.3	24"	—	—	—	—
	L660	66,420	495.9	133.9	24"	—	—	—	—
	L720	72,181	539.7	133.7	24"	—	—	—	—

### MULTIPLIER TABLES

	COLOR TEMPERATURE		SHIELDING	
	CCT	CONVERSION FACTOR	CATALOG NUMBER	CONVERSION FACTOR
80 CRI	3500K	0.97	FA	1.00
	4000K	1.00	FP	1.00
	5000K	1.03	HE	1.09
90 CRI	3500K	0.80	ND	1.08
	4000K	0.83		
	5000K	0.86		

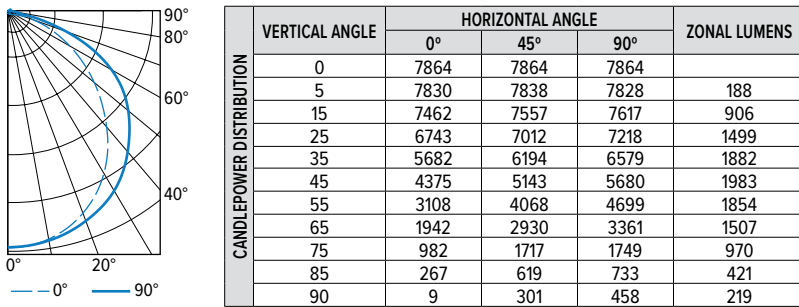
  

WIDTH	UPLIGHT %
12"	16
18"	10
24"	8

- Photometrics tested in accordance with IESNA LM-79. Results shown are based on 25°C ambient temperature.
- Wattage shown is average for 120V through 277V input.
- Results based on 4000K, 80 CRI, actual lumens may vary +/-5%
- Use multiplier tables to calculate additional options.

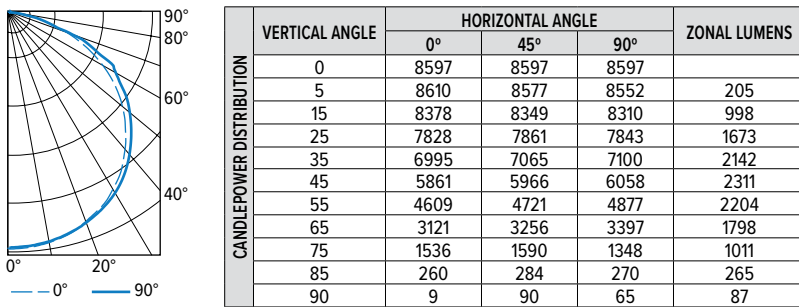
## PHOTOMETRY

**GH-2-L240/840-FA-DIM-UNV** Report #: 13309242.03; 04/16/20 | Total Luminaire Output: 23470 lumens; 176.8 Watts | Efficacy: 132.7 lm/W | 80 CRI; 4000K CCT



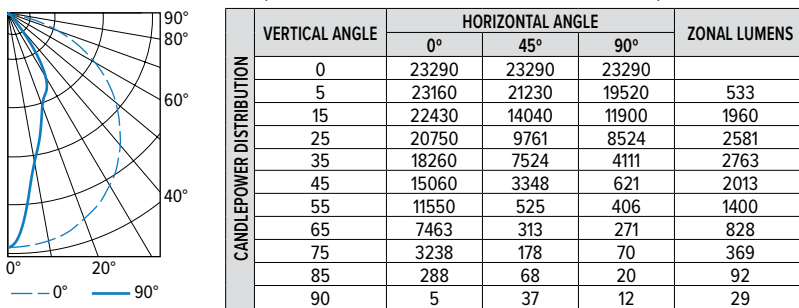
LUMEN SUMMARY	ZONE	LUMENS	% FIXTURE
	0 - 40	9946	42
	0 - 60	17436	74
	0 - 90	22488	96
	90 - 180	981	4
	0 - 180	23470	100

**GH-2-L240/840-HE-DIM-UNV** Report #: 13309242.04; 04/16/20 | Total Luminaire Output: 25500 lumens; 177.1 Watts | Efficacy: 144.0 lm/W | 80 CRI; 4000K CCT



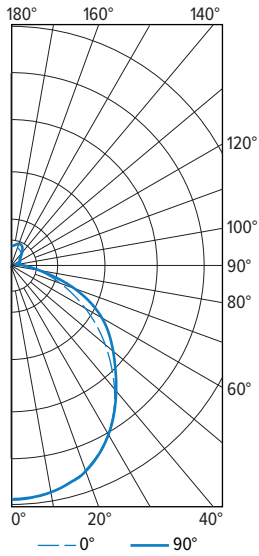
LUMEN SUMMARY	ZONE	LUMENS	% FIXTURE
	0 - 40	11191	44
	0 - 60	20026	79
	0 - 90	25244	99
	90 - 180	263	1
	0 - 180	25500	100

**GH-2-L240/840-ND-DIM-UNV** Report #: 13309242.01; 04/14/20 | Total Luminaire Output: 25350 lumens; 177.9 Watts | Efficacy: 142.5 lm/W | 80 CRI; 4000K CCT



LUMEN SUMMARY	ZONE	LUMENS	% FIXTURE
	0 - 40	16787	66
	0 - 60	23010	91
	0 - 90	25091	99
	90 - 180	264	1
	0 - 180	25350	100

GH-2-L240/840-FA-UP-DIM-UNV Report #: 13309242.02; 04/10/20 | Total Luminaire Output: 22670 lumens; 176.8 Watts | Efficacy: 128.2 lm/W | 80 CRI; 4000K CCT



VERTICAL ANGLE	HORIZONTAL ANGLE			ZONAL LUMENS
	0°	45°	90°	
0	7970	7970	7970	
5	7940	7936	7913	190
15	7590	7599	7597	913
25	6878	6949	6901	1493
35	5790	5890	5830	1807
45	4460	4628	4710	1819
55	3172	3478	3752	1631
65	1988	2405	2594	1279
75	1011	1339	1161	779
85	279	357	356	281
90	11	103	123	113
95	53	149	177	63
105	153	225	258	104
115	254	252	292	130
125	350	349	314	154
135	435	502	423	180
145	499	640	590	190
155	557	688	721	166
165	589	667	718	110
175	609	632	638	45
180	628	628	628	

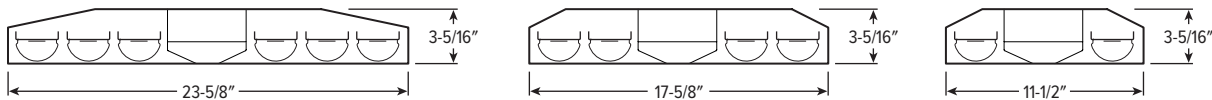
LUMEN SUMMARY	ZONE	LUMENS	% FIXTURE
	0 - 40	9732	43
	0 - 60	16403	72
	0 - 90	20408	90
	90 - 180	2259	10
	0 - 180	22670	100

### ADDITIONAL CONTROL OPTIONS

Note: Lumen restrictions apply, consult product builder at [hew.com/product-builder](http://hew.com/product-builder).

CATALOG NUMBER	DESCRIPTION
DRV	Driver prewired for non-dimming applications
DIM	Dimming driver prewired for 0-10V low voltage applications
DIM1	1% dimming driver prewired for 0-10V low voltage applications
DIM LINE	Line voltage dimming driver (Must specify 120V or 277V only)
SD40	40% step-dimming driver
SD50	50% step-dimming driver
DALI	DALI dimming driver
LTE LINE	Lutron Hi-lume 1% 2-wire dimming driver forward phase line voltage controls (120V only)
LDE1	Lutron Hi-lume 1% EcoSystem dimming LED driver
LDE5	Lutron 5-Series 5% EcoSystem dimming LED driver
ELDO SOLOB	EldoLED Solodrive, 0.1% dimming driver for 0-10V controls
ELDO SOLOB DALI	EldoLED Solodrive, 0.1% dimming driver for DALI controls
ELDO ECO1	EldoLED Ecodrive, 1% dimming driver for 0-10V controls
ELDO ECO1 DALI	EldoLED Ecodrive, 1% dimming driver for DALI controls

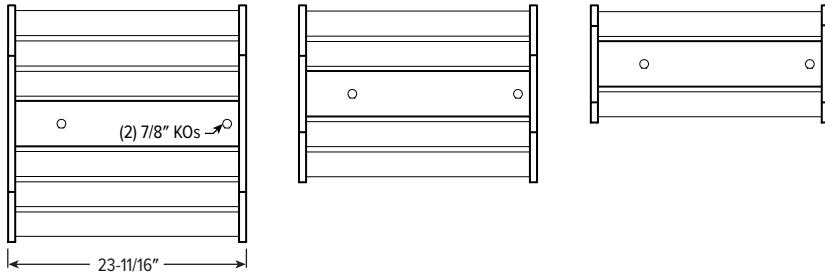
### CROSS SECTIONS



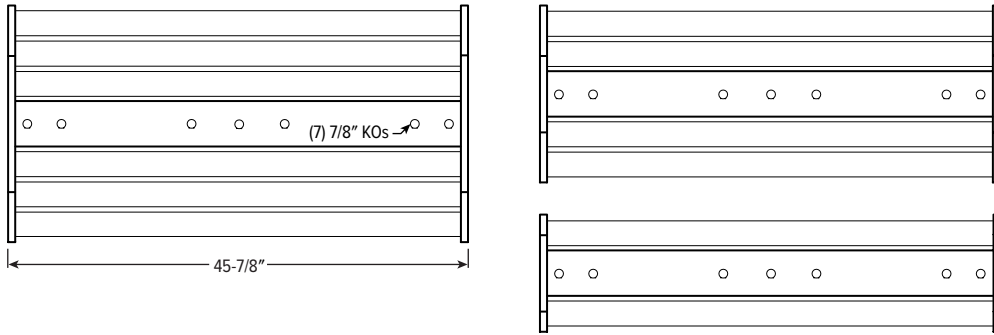
## FIXTURE DETAILS

### BACKVIEW

2'



4'



## MOUNTING DETAILS

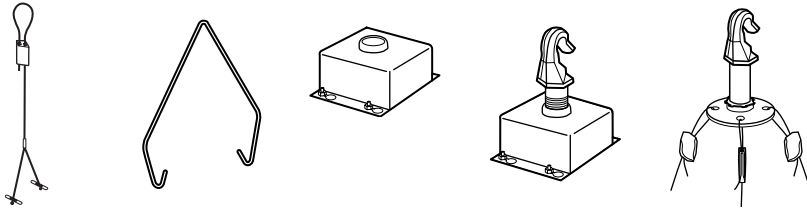
GC2/Y18/\_

VBY | VBY-2

HUB MT

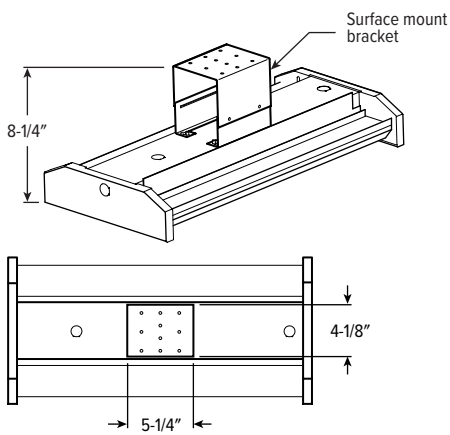
HUB/HOOK MT

HOOK/CABLE

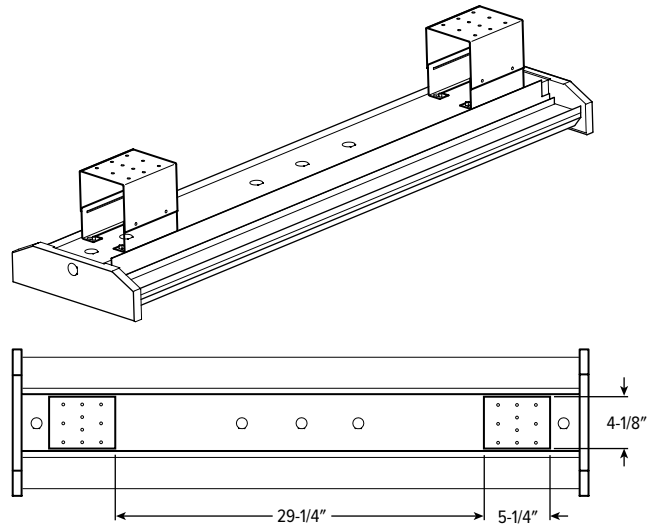


## SURFACE MOUNT KIT DETAILS

2'



4'



## LINKTair WIRELESS SENSOR DETAILS

LA-SL1/DA  
LA-SL2/DA

### FEATURES

- Quad element PIR sensor improves detection coverage in high bay and low bay applications
- 0-10V output: set with commissioning software
- LED motion indicator
- 360° coverage pattern
- Adjustable via wireless mesh enabled app
- Configurable sensitivity settings for motion and/or daylight contribution, time delay and cutoff delay, high and low dimmed light levels

### SYSTEM REQUIREMENTS

- Williams fixtures with LINKTair wireless control
- Desktop & mobile apps

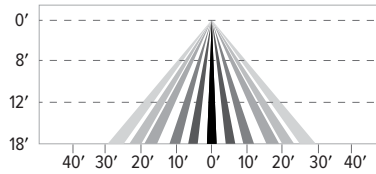
### SPECIFICATIONS

- SENSOR TYPE – PIR occupancy sensor
- FINISH – White
- MOUNTING HEIGHT – Varies with lens option. Refer to lens coverage patterns
- MAX WIRELESS MESH RANGE – 49' - 65'
- ENVIRONMENT – -30°C - 70°C. Up to 90-95% RH (non-condensing at 30°C)

### LENS COVERAGE PATTERNS

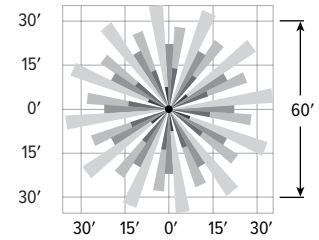
#### SIDE VIEW

L1 Coverage at 18' mounting height: ø60'

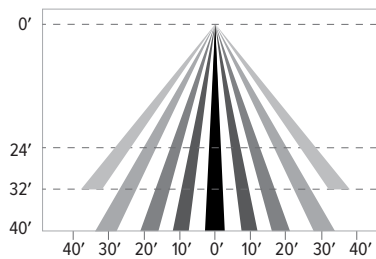


#### TOP VIEW

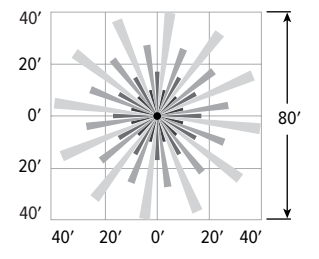
Coverage at 18' mounting height: ø60'



L2 Coverage at 40' mounting height: ø70'



Coverage at 32' mounting height: ø80'



## OCCUPANCY SENSOR DETAILS

OCCWS FSP-321B-L\_-120-480 Bluetooth enabled  
OCCWS FSP-221B-L\_-120-480 Adjustable via remote

### FEATURES

- Fully adjustable high and low dimmed light levels.
- Designed for LED fixtures; rated for extreme temperatures and up to 200,000 on/off cycles.
- Hold-off setpoint with automatic calibration option for convenience and added energy savings.
- Adjustable via handheld wireless configuration tool or bluetooth enabled app.
- IP66 rated with choice of lenses for wet and outdoor locations, and mounting heights from 8' to 20'.
- Adjustable time delay and cutoff delay.
- Factory set to 10% dimming at 5 minutes, cutoff at 1 hour.
- Multi-level control based on motion and/or daylight contribution.
- Universal voltage for 120V – 480V.

### REMOTE CONTROLLER



**FSIR-100** Remote controller for OCCWS FSP-221B occupancy sensor (specify quantity per project)

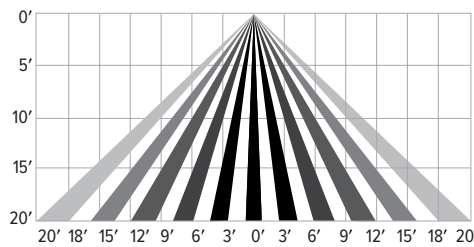
Initial setup and subsequent sensor adjustments are made using a handheld configuration tool (FSIR-100). The wireless tool stores up to five sensor parameter profiles to speed configuration of multiple sensors. Please specify quantity required per project.

Visit [www.wattstopper.com](http://www.wattstopper.com) for more information

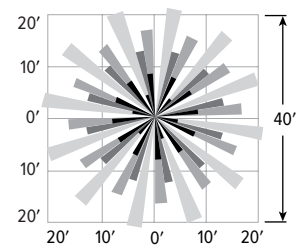
### LENS COVERAGE PATTERNS

#### SIDE VIEW

L3 Coverage at 20' mounting height: ø40'



#### TOP VIEW



L7 Coverage at 40' mounting height: ø100'

