

PIVOT™



nienkämper
International Inc.

Tubular steel legs finished in brilliant mirror eco-chrome, steel hinge mechanisms and cross beams provide the Pivot™ with its rigid skeleton, ready for the nomadic world of training tables. The Pivot™ isn't all brawn, its rigidity is balanced with warm, rich veneers typical to the Nienkämper family of products. Or if the rugged nature is to show through and through, a wide variety of plastic laminates with impact resistant plastic edges are also available.

Standard features include: chrome legs, locking casters, 1" thick rectangular top, choice of veneer and solid wood edge or plastic laminate and plastic edge, a 5.25" tall fixed modesty panel completes the package. Options include: your choice of power/ data/ connectivity units, 1.25" thick tops and flush or inset leg placement.



BASE CONSTRUCTION

Constructed from 1 3/8" dia. steel tube and is available in "eco-metal" chrome plating*, powder coated silver or black. Table tops pivot on two robust steel hinges and are supported with steel cross beams. Table tops are locked in position while down with stainless steel slam catches. To unlock and flip table into the storage / moving position simply pull out the two ergonomic plastic handles and pivot downward. The table rolls on 4 swiveling / locking 3" dia. casters. Base, hinge, cross beam, release handles and casters are all integrated within the base structure.

*Eco-metal chrome plating is a new galvanic process which is completely free of chlorides and is 100% recyclable.

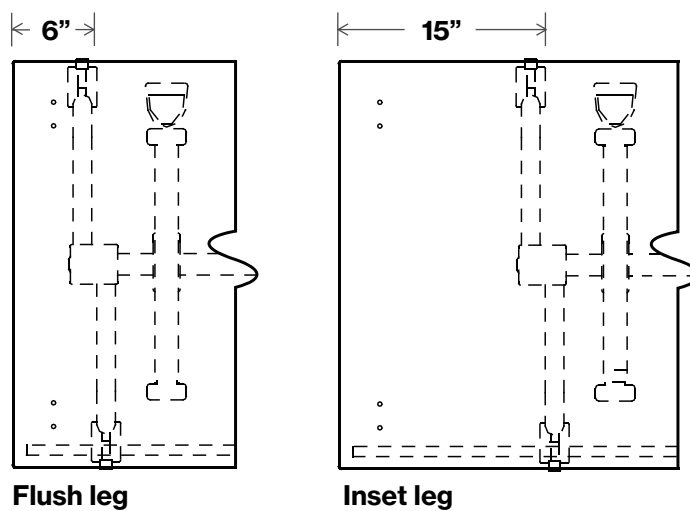


BASE POSITION

Bases are offered in two positions, flush and inset.

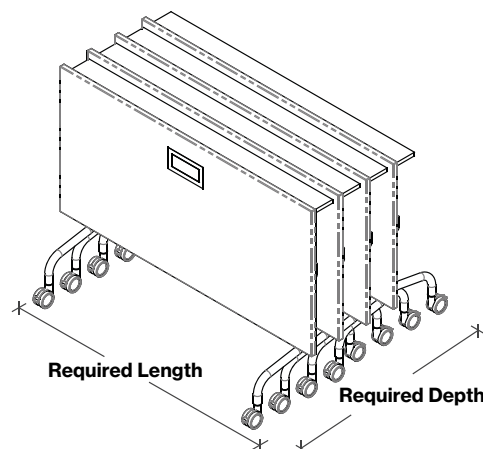
Flush leg position allows the user maximum knee space when tables are ganged together.

Inset leg position allow the maximum seating capacity when tables are ganged together by enabling seating on table seams.



STORAGE REQUIREMENTS

Table Length	2 Tables	4 Tables	6 Tables	8 Tables	10 Tables	12 Tables
floor space required when nested for table depths of 24" and 30" (L" x D")						
60"	60 x 36.75	60 x 49.75	60 x 62.75	60 x 75.75	60 x 88.75	60 x 101.75
66"	66 x 36.75	66 x 49.75	66 x 62.75	66 x 75.75	66 x 88.75	66 x 101.75
72"	72 x 36.75	72 x 49.75	72 x 62.75	72 x 75.75	72 x 88.75	72 x 101.75
78"	78 x 36.75	78 x 49.75	78 x 62.75	78 x 75.75	78 x 88.75	78 x 101.75
84"	84 x 36.75	84 x 49.75	84 x 62.75	84 x 75.75	84 x 88.75	84 x 101.75
90"	90 x 36.75	90 x 49.75	90 x 62.75	90 x 75.75	90 x 88.75	90 x 101.75

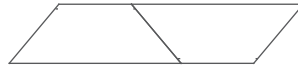


CONFIGURATION



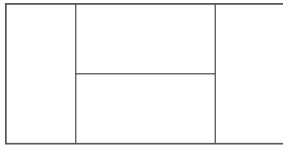
2 rectangle tables

Model #	Dimensions
82002/2	72"w x 24"d



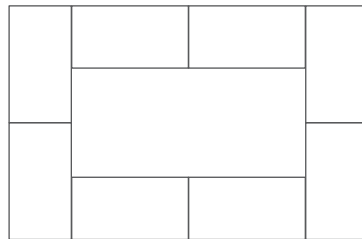
2 trapezoid tables

Model #	Dimensions
82100/2	84"w x 24"d



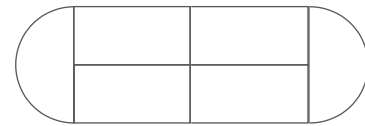
4 rectangle tables

Model #	Dimensions
82006/2	60"w x 30"d



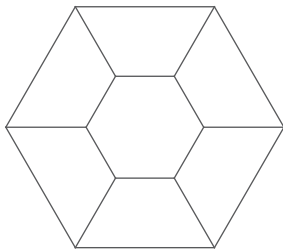
8 rectangle tables

Model #	Dimensions
82012/2	60"w x 24"d



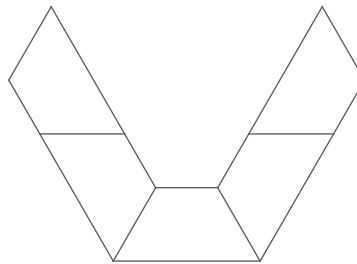
4 rectangle tables & 2 half round tables

Model #	Dimensions
82012/2	60"w x 24"d
82144/2	48"w x 24"d



6 trapezoid tables

Model #	Dimensions
82104/2	72"w x 30"d



5 trapezoid tables

Model #	Dimensions
82105/2	78"w x 30"d

CONNECTIVITY MANAGEMENT

Pivot™ FlipTop can be specified with a range of connectivity devices to suit most technology and price point requirements.

For connectivity device details and pricing visit www.nienkamper.com or contact customer service at 1.800.668.9318.



SIMPLE
Pop Up Forum



SIMPLE Forum



Vox® Training Forum



Vox® S-Forum



Vox® M-Forum

WIRE MANAGEMENT

Tables that include connectivity devices are equipped with cable clips that are fixed to both the underside of the top and the base. Cables may be routed to either base according to user needs.



MODESTY PANEL DETAILS



Veneer top with wood self edge and matching 5.25"H fixed modesty panel.



Wood grain P-Lam top with translucent self edge and matching 5.25"H fixed modesty panel.



White P-Lam top with white PVC self edge and matching fixed modesty panel.

PIVOT TABLE - NO MODESTY PANEL

Rectangle



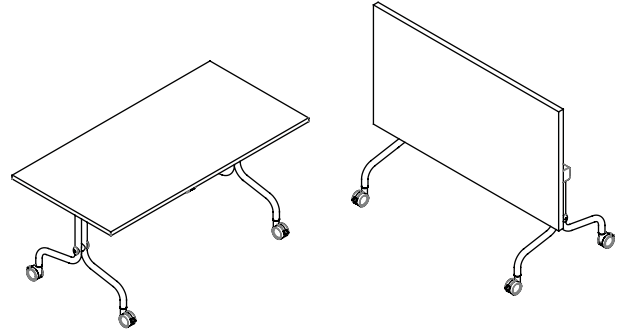
Tables shown on this page are standard with tubular steel legs, locking casters, and 1" thick top.

Wood tables have 1/8" solid wood self edge.

P-Lam tables have 1/8" translucent edge.



Self Edge "SE"



1" TOP

L"	X	W"	X	H"	Top Finish	FLUSH BASES		INSET BASES	
						Model No.	List Price	Model No.	List Price
60	24	28.5			Wood	82000/2	2,020	82012/2	2,020
60	24	28.5			P-Lam	82000/5	1,620	82012/5	1,620
66	24	28.5			Wood	82001/2	2,125	82013/2	2,125
66	24	28.5			P-Lam	82001/5	1,685	82013/5	1,685
72	24	28.5			Wood	82002/2	2,250	82014/2	2,250
72	24	28.5			P-Lam	82002/5	1,750	82014/5	1,750
78	24	28.5			Wood	82003/2	2,365	82015/2	2,254
78	24	28.5			P-Lam	82003/5	1,825	82015/5	1,825
84	24	28.5			Wood	82004/2	2,475	82016/2	2,475
84	24	28.5			P-Lam	82004/5	1,900	82016/5	1,900
90	24	28.5			Wood	82005/2	2,600	82017/2	2,600
90	24	28.5			P-Lam	82005/5	1,965	82017/5	1,965
60	30	28.5			Wood	82006/2	2,285	82018/2	2,285
60	30	28.5			P-Lam	82006/5	1,770	82018/5	1,770
66	30	28.5			Wood	82007/2	2,430	82019/2	2,430
66	30	28.5			P-Lam	82007/5	1,850	82019/5	1,850
72	30	28.5			Wood	82008/2	2,575	82020/2	2,575
72	30	28.5			P-Lam	82008/5	1,935	82020/5	1,935
78	30	28.5			Wood	82009/2	2,710	82021/2	2,710
78	30	28.5			P-Lam	82009/5	2,020	82021/5	2,020
84	30	28.5			Wood	82010/2	2,855	82022/2	2,855
84	30	28.5			P-Lam	82010/5	2,105	82022/5	2,105
90	30	28.5			Wood	82011/2	2,990	82023/2	2,990
90	30	28.5			P-Lam	82011/5	2,145	82023/5	2,145

PIVOT TABLE - NO MODESTY PANEL

Rectangle



Tables shown on this page are standard with tubular steel legs, locking casters, and 1¼" thick top.

Specify edge type; add the two letter code after the model number.



Taper Edge (TE)



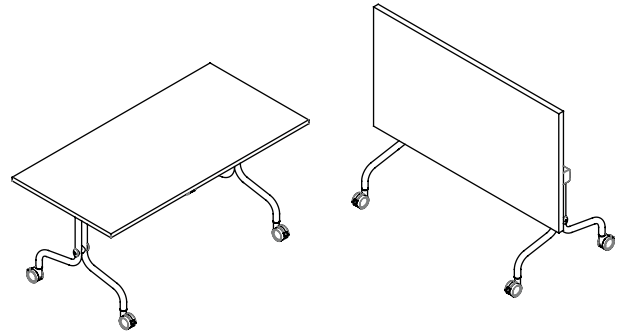
Self Edge (SE)



Facet Edge (FE)



Flowform Edge (FF)
5% upcharge
laminates not available



1¼" Top

					FLUSH BASES		INSET BASES		
L"	X	W"	X	H"	Top Finish	Model No.	List Price	Model No.	List Price
60	24	29			Wood	82024/2	2,020	82036/2	2,020
60	24	29			P-Lam	82024/5	1,620	82036/5	1,620
66	24	29			Wood	82025/2	2,125	82037/2	2,125
66	24	29			P-Lam	82025/5	1,685	82037/5	1,685
72	24	29			Wood	82026/2	2,250	82038/2	2,250
72	24	29			P-Lam	82026/5	1,750	82038/5	1,750
78	24	29			Wood	82027/2	2,365	82039/2	2,365
78	24	29			P-Lam	82027/5	1,825	82039/5	1,825
84	24	29			Wood	82028/2	2,475	82040/2	2,475
84	24	29			P-Lam	82028/5	1,900	82040/5	1,900
90	24	29			Wood	82029/2	2,600	82041/2	2,600
90	24	29			P-Lam	82029/5	1,965	82041/5	1,965
60	30	29			Wood	82030/2	2,285	82042/2	2,285
60	30	29			P-Lam	82030/5	1,770	82042/5	1,770
66	30	29			Wood	82031/2	2,430	82043/2	2,430
66	30	29			P-Lam	82031/5	1,850	82043/5	1,850
72	30	29			Wood	82032/2	2,575	82044/2	2,575
72	30	29			P-Lam	82032/5	1,935	82044/5	1,935
78	30	29			Wood	82033/2	2,710	82045/2	2,710
78	30	29			P-Lam	82033/5	2,020	82045/5	2,020
84	30	29			Wood	82034/2	2,855	82046/2	2,855
84	30	29			P-Lam	82034/5	2,105	82046/5	2,105
90	30	29			Wood	82035/2	2,990	82047/2	2,990
90	30	29			P-Lam	82035/5	2,145	82047/5	2,145

PIVOT TABLE - WITH MODESTY PANEL

Rectangle



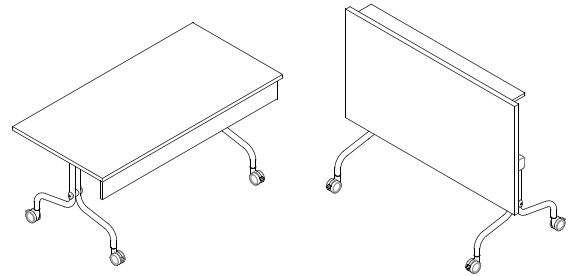
Tables shown on this page are standard with tubular steel legs, locking casters, 5.25" tall fixed modesty panel in matching finish and 1" thick top.

Wood tables have 1/8" solid wood self edge.

P-Lam tables have 1/8" translucent edge.



Self Edge "SE"



1" TOP

L"	X	W"	X	H"	Top Finish	FLUSH BASES		INSET BASES	
						Model No.	List Price	Model No.	List Price
60	24	28.5			Wood	82048/2	2,370	82060/2	2,370
60	24	28.5			P-Lam	82048/5	1,875	82060/5	1,875
66	24	28.5			Wood	82049/2	2,515	82061/2	2,515
66	24	28.5			P-Lam	82049/5	1,975	82061/5	1,975
72	24	28.5			Wood	82050/2	2,665	82062/2	2,665
72	24	28.5			P-Lam	82050/5	2,080	82062/5	2,080
78	24	28.5			Wood	82051/2	2,815	82063/2	2,815
78	24	28.5			P-Lam	82051/5	2,175	82063/5	2,175
84	24	28.5			Wood	82052/2	2,965	82064/2	2,965
84	24	28.5			P-Lam	82052/5	2,270	82064/5	2,270
90	24	28.5			Wood	82053/2	3,120	82065/2	3,120
90	24	28.5			P-Lam	82053/5	2,370	82065/5	2,370
60	30	28.5			Wood	82054/2	2,640	82066/2	2,640
60	30	28.5			P-Lam	82054/5	2,030	82066/5	2,030
66	30	28.5			Wood	82055/2	2,810	82067/2	2,810
66	30	28.5			P-Lam	82055/5	2,145	82067/5	2,145
72	30	28.5			Wood	82056/2	2,985	82068/2	2,985
72	30	28.5			P-Lam	82056/5	2,250	82068/5	2,250
78	30	28.5			Wood	82057/2	3,155	82069/2	3,155
78	30	28.5			P-Lam	82057/5	2,370	82069/5	2,370
84	30	28.5			Wood	82058/2	3,335	82070/2	3,335
84	30	28.5			P-Lam	82058/5	2,490	82070/5	2,490
90	30	28.5			Wood	82059/2	3,515	82071/2	3,515
90	30	28.5			P-Lam	82059/5	2,545	82071/5	2,545

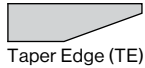
PIVOT TABLE - WITH MODESTY PANEL

Rectangle



Tables shown on this page are standard with tubular steel legs, locking casters, 5.25" tall fixed modesty panel in matching finish and 1 1/4" thick top.

Specify edge type; add the two letter code after the model number.



Taper Edge (TE)



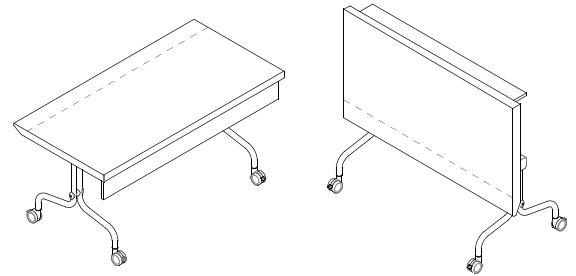
Self Edge (SE)



Facet Edge (FE)



Flowform Edge (FF)
5% upcharge
laminates not available



1 1/4" TOP

L"	X	W"	X	H"	Top Finish	FLUSH BASES		INSET BASES	
						Model No.	List Price	Model No.	List Price
60	24	29			Wood	82072/2	2,370	82084/2	2,370
60	24	29			P-Lam	82072/5	1,875	82084/5	1,875
66	24	29			Wood	82073/2	2,515	82085/2	2,515
66	24	29			P-Lam	82073/5	1,975	82085/5	1,975
72	24	29			Wood	82074/2	2,665	82086/2	2,665
72	24	29			P-Lam	82074/5	2,080	82086/5	2,080
78	24	29			Wood	82075/2	2,815	82087/2	2,815
78	24	29			P-Lam	82075/5	2,175	82087/5	2,175
84	24	29			Wood	82076/2	2,965	82088/2	2,965
84	24	29			P-Lam	82076/5	2,270	82088/5	2,270
90	24	29			Wood	82077/2	3,120	82089/2	3,120
90	24	29			P-Lam	82077/5	2,370	82089/5	2,370
60	30	29			Wood	82078/2	2,640	82090/2	2,640
60	30	29			P-Lam	82078/5	2,030	82090/5	2,030
66	30	29			Wood	82079/2	2,810	82091/2	2,810
66	30	29			P-Lam	82079/5	2,145	82091/5	2,145
72	30	29			Wood	82080/2	2,985	82092/2	2,985
72	30	29			P-Lam	82080/5	2,250	82092/5	2,250
78	30	29			Wood	82081/2	3,155	82093/2	3,155
78	30	29			P-Lam	82081/5	2,370	82093/5	2,370
84	30	29			Wood	82082/2	3,335	82094/2	3,335
84	30	29			P-Lam	82082/5	2,490	82094/5	2,490
90	30	29			Wood	82083/2	3,515	82095/2	3,515
90	30	29			P-Lam	82083/5	2,545	82095/5	2,545

PIVOT TABLE - NO MODESTY PANEL

Trapezoid



Tables shown on this page are standard with tubular steel legs, locking casters. Top is 1" thick for self edge and 1¼" thick for profile edges.

Wood tables have 1/8" solid wood self edge.

P-Lam tables have 1/8" translucent self plastic edge.

Specify edge type; add the two letter code after the model number.



Taper Edge (TE)



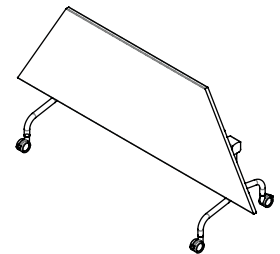
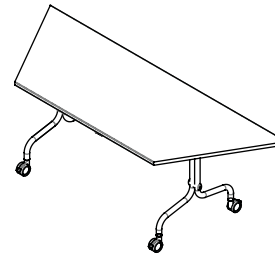
Self Edge (SE)



Facet Edge (FE)



Flowform Edge (FF)
5% upcharge
laminates not available



1" TOP (SELF EDGE)

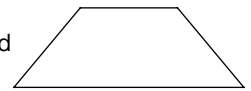
L"	X W"	X H"	Top Finish	Model No.	List Price
60	24	28.5	Wood	82096/2	2,220
60	24	28.5	P-Lam	82096/5	1,785
66	24	28.5	Wood	82097/2	2,350
66	24	28.5	P-Lam	82097/5	1,850
72	24	28.5	Wood	82098/2	2,475
72	24	28.5	P-Lam	82098/5	1,930
78	24	28.5	Wood	82099/2	2,610
78	24	28.5	P-Lam	82099/5	2,015
84	24	28.5	Wood	82100/2	2,725
84	24	28.5	P-Lam	82100/5	2,090
90	24	28.5	Wood	82101/2	2,860
90	24	28.5	P-Lam	82101/5	2,165
60	30	28.5	Wood	82102/2	2,510
60	30	28.5	P-Lam	82102/5	1,955
66	30	28.5	Wood	82103/2	2,670
66	30	28.5	P-Lam	82103/5	2,040
72	30	28.5	Wood	82104/2	2,840
72	30	28.5	P-Lam	82104/5	2,120
78	30	28.5	Wood	82105/2	2,985
78	30	28.5	P-Lam	82105/5	2,220
84	30	28.5	Wood	82106/2	3,140
84	30	28.5	P-Lam	82106/5	2,320
90	30	28.5	Wood	82107/2	3,285
90	30	28.5	P-Lam	82107/5	2,355

1¼" TOP (TAPER, FACET, FLOW FORM EDGE)

L"	X W"	X H"	Top Finish	Model No.	List Price
60	24	29	Wood	82120/2	2,220
60	24	29	P-Lam	82120/5	1,785
66	24	29	Wood	82121/2	2,350
66	24	29	P-Lam	82121/5	1,850
72	24	29	Wood	82122/2	2,475
72	24	29	P-Lam	82122/5	1,930
78	24	29	Wood	82123/2	2,610
78	24	29	P-Lam	82123/5	2,015
84	24	29	Wood	82124/2	2,725
84	24	29	P-Lam	82124/5	2,090
90	24	29	Wood	82125/2	2,860
90	24	29	P-Lam	82125/5	2,165
60	30	29	Wood	82126/2	2,510
60	30	29	P-Lam	82126/5	1,955
66	30	29	Wood	82127/2	2,670
66	30	29	P-Lam	82127/5	2,040
72	30	29	Wood	82128/2	2,840
72	30	29	P-Lam	82128/5	2,120
78	30	29	Wood	82129/2	2,985
78	30	29	P-Lam	82129/5	2,220
84	30	29	Wood	82130/2	3,140
84	30	29	P-Lam	82130/5	2,320
90	30	29	Wood	82131/2	3,285
90	30	29	P-Lam	82131/5	2,355

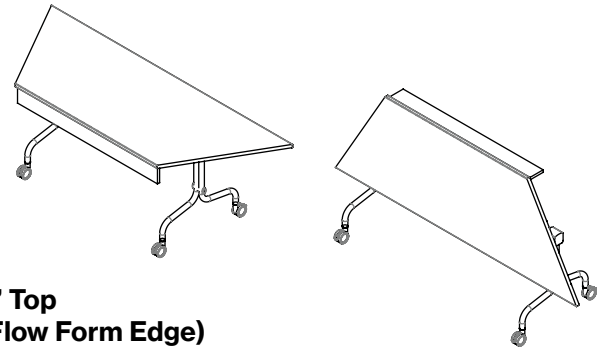
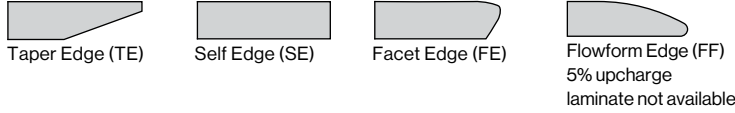
PIVOT TABLE - WITH MODESTY PANEL

Trapezoid



Tables shown on this page are standard with tubular steel legs, locking casters, 5.25" tall fixed modesty panel in matching finish. Top is 1" thick for self edge and 1 1/4" thick for profile edges.

Wood tables have 1/8" solid wood self edge. P-Lam tables have 1/8" translucent edge. Specify edge type; add the two letter code after the model number.



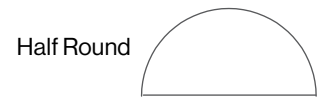
1" TOP (SELF EDGE)

L"	X W"	X H"	Top Finish	Model No.	List Price
60	24	28.5	Wood	82108/2	2,615
60	24	28.5	P-Lam	82108/5	2,060
66	24	28.5	Wood	82109/2	2,775
66	24	28.5	P-Lam	82109/5	2,175
72	24	28.5	Wood	82110/2	2,935
72	24	28.5	P-Lam	82110/5	2,280
78	24	28.5	Wood	82111/2	3,100
78	24	28.5	P-Lam	82111/5	2,390
84	24	28.5	Wood	82112/2	3,260
84	24	28.5	P-Lam	82112/5	2,500
90	24	28.5	Wood	82113/2	3,425
90	24	28.5	P-Lam	82113/5	2,615
60	30	28.5	Wood	82114/2	2,900
60	30	28.5	P-Lam	82114/5	2,230
66	30	28.5	Wood	82115/2	3,085
66	30	28.5	P-Lam	82115/5	2,355
72	30	28.5	Wood	82116/2	3,280
72	30	28.5	P-Lam	82116/5	2,475
78	30	28.5	Wood	82117/2	3,475
78	30	28.5	P-Lam	82117/5	2,615
84	30	28.5	Wood	82118/2	3,670
84	30	28.5	P-Lam	82118/5	2,730
90	30	28.5	Wood	82119/2	3,860
90	30	28.5	P-Lam	82119/5	2,805

1 1/4" Top (Taper, Facet, Flow Form Edge)

L"	X W"	X H"	Top Finish	Model No.	List Price
60	24	29	Wood	82132/2	2,615
60	24	29	P-Lam	82132/5	2,060
66	24	29	Wood	82133/2	2,775
66	24	29	P-Lam	82133/5	2,175
72	24	29	Wood	82134/2	2,935
72	24	29	P-Lam	82134/5	2,280
78	24	29	Wood	82135/2	3,100
78	24	29	P-Lam	82135/5	2,390
84	24	29	Wood	82136/2	3,260
84	24	29	P-Lam	82136/5	2,500
90	24	29	Wood	82137/2	3,425
90	24	29	P-Lam	82137/5	2,615
60	30	29	Wood	82138/2	2,900
60	30	29	P-Lam	82138/5	2,230
66	30	29	Wood	82139/2	3,085
66	30	29	P-Lam	82139/5	2,355
72	30	29	Wood	82140/2	3,280
72	30	29	P-Lam	82140/5	2,475
78	30	29	Wood	82141/2	3,475
78	30	29	P-Lam	82141/5	2,615
84	30	29	Wood	82142/2	3,670
84	30	29	P-Lam	82142/5	2,730
90	30	29	Wood	82143/2	3,860
90	30	29	P-Lam	82143/5	2,805

PIVOT TABLE - NO MODESTY PANEL

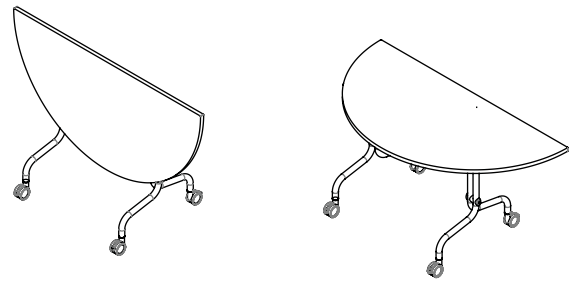
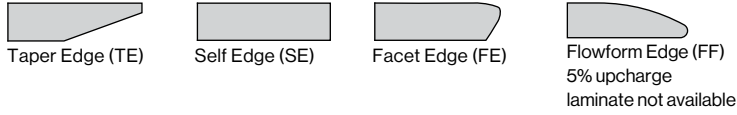


Tables shown on this page are standard with tubular steel legs, locking casters, Top is 1" thick for self edge and 1¼" thick for profile edges.

Wood tables have 1/8" solid wood self edge.

P-Lam tables have 1/8" translucent edge.

Specify edge type; add the two letter code after the model number.



1" TOP (SELF EDGE)

L"	X	W"	X	H"	Top Finish	Model No.	List Price
48	24	28.5			Wood	82144/2	1,785
48	24	28.5			P-Lam	82144/5	1,435
60	30	28.5			Wood	82145/2	2,285
60	30	28.5			P-Lam	82145/5	1,770

1¼" Top (Taper, Facet, Flow Form Edges)

L"	X	W"	X	H"	Top Finish	Model No.	List Price
48	24	29			Wood	82146/2	1,785
48	24	29			P-Lam	82146/5	1,435
60	30	29			Wood	82147/2	2,285
60	30	29			P-Lam	82147/5	1,770

