

# Vox®

Tel 800 668 9318  
Tel 416 298 5700  
Fax 416 298 9535  
mail@nienkamper.com  
www.nienkamper.com

## GLASS TOP CONFERENCE TABLES INSTALLATION SUPPLEMENT FOR ALL BASE STYLES & TOP SHAPES

VOX® GLASS TOP CONFERENCE TABLES™



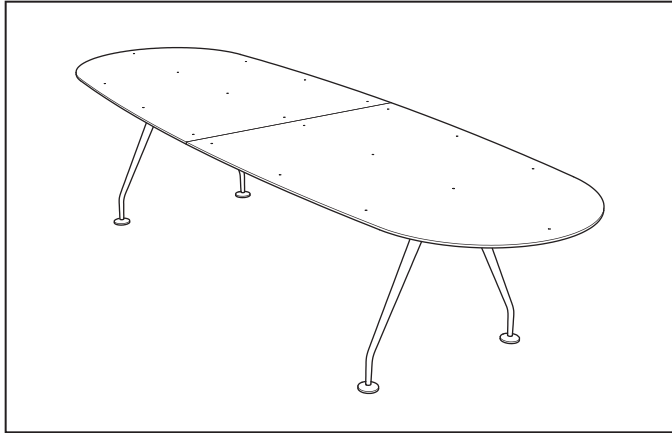
VOX® FORUM™ GLASS TOP KITS



VOX® GROMMET FOR GLASS TOP TABLES

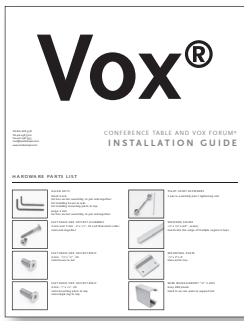


## GLASS TABLE TOP INSTALLATION

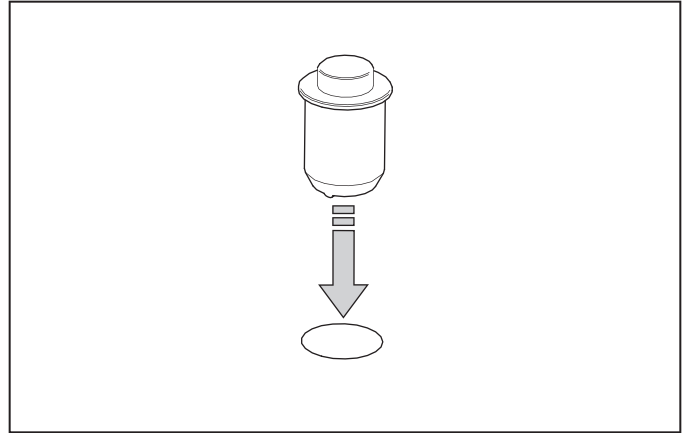


1

- Complete standard table assembly as per Taper Base , T-Base, or Duo Base style installation guide.

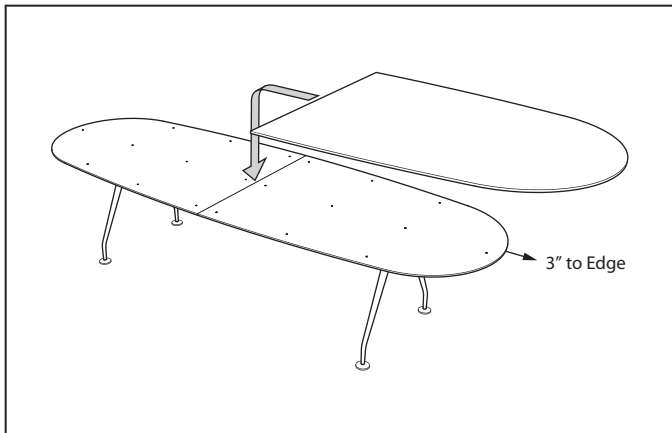


2



- Insert the rubber bumpers into all of the pre-drilled holes located on the top of the sub-top.
- Please note that the glass tops for these tables are not mechanically fastened to the table's under structure. The sheets of glass are held in place due to the friction from these rubber bumpers.  
-- DO NOT SKIP THIS STEP --

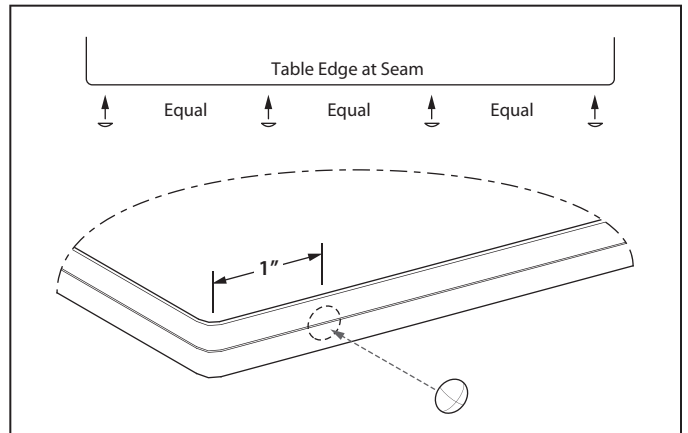
## POSITIONING MULTIPLE PIECE TOPS



3

- Place the first glass top section on to the installed rubber bumpers and carefully align with the seam of the sub-top.
- The glass top sections are designed to overhang the sub-top by 3" around the perimeter, and be aligned with any seams.

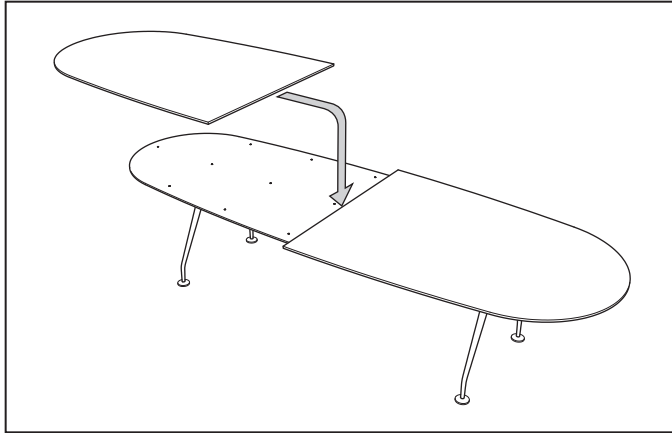
4



- Apply the 4 self-adhesive rubber bumpers to the edge of one of the top sections where ever there is a seam.
- Please note that this step is necessary to avoid glass sections from colliding and causing any damage and/or injury  
-- DO NOT SKIP THIS STEP --

## POSITIONING REMAINING SECTION(S)

## INSTALLATION COMPLETE



5

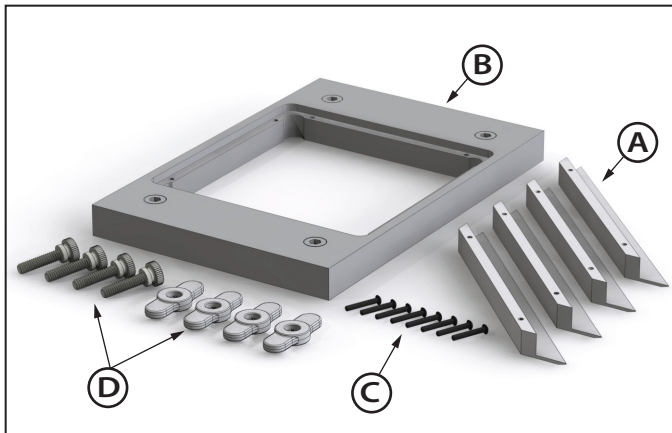
6



- Place any remaining glass top sections in place in the same manner as previously outlined.

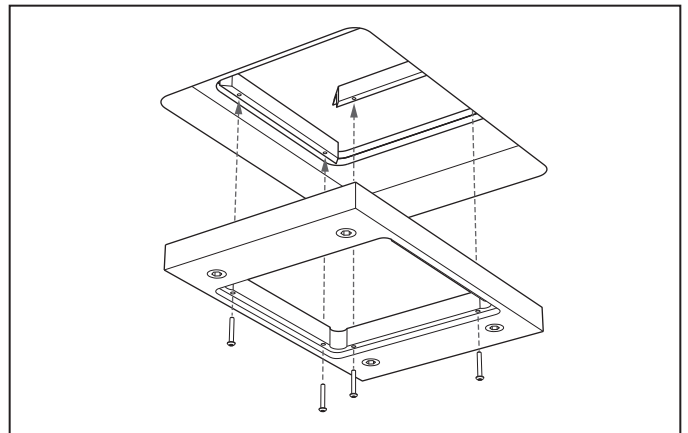
## FORUM KITS: TKS, TKL, TKM, TKN

## INSTALLING FRAME AND SPACER



1

2

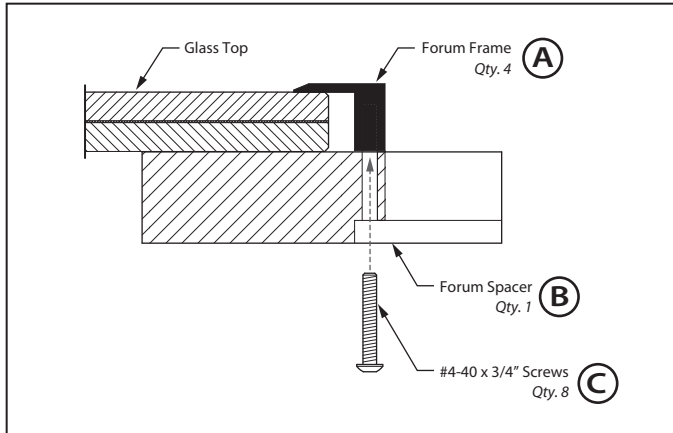


- If your glass conference table has electrical components specified, please see the following steps on how to install the Vox Forum Glass Kits.

- Place one of the frame pieces (A) along the inside edge of the cutout in the glass top and align the forum spacer (B) below it. Attach using the 8 #4-40 x 3/4" screws provided (C) and avoid fully tightening at this point.

- Once all four frame pieces are in place, tighten all parts together and ensure there are no gaps in the corners of the frame.

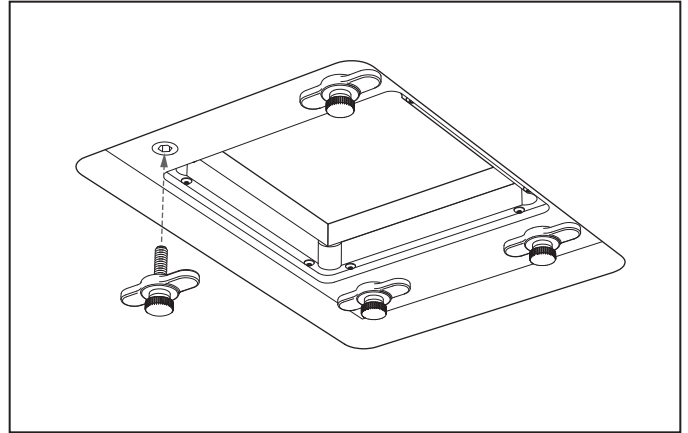
## INSTALLING FRAME AND SPACER



3

- Refer to the above cross-section for properly aligning the fasteners in the assembly.

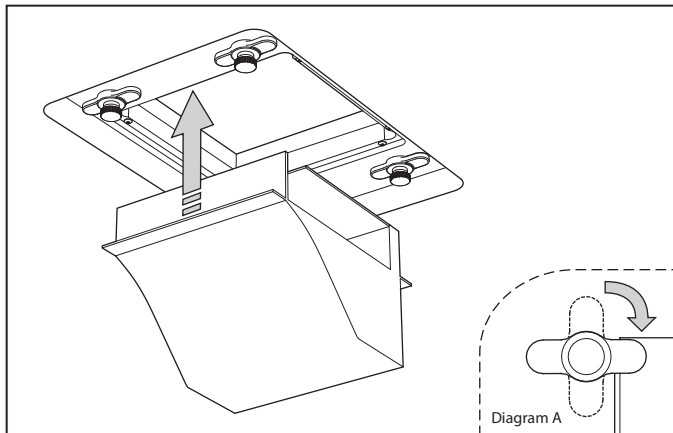
## INSTALLING THUMB SCREWS



4

- Carefully thread the 4 plastic thumb screw and clip assemblies (D) into the threaded inserts around the spacer. Do not fully tighten at this point.

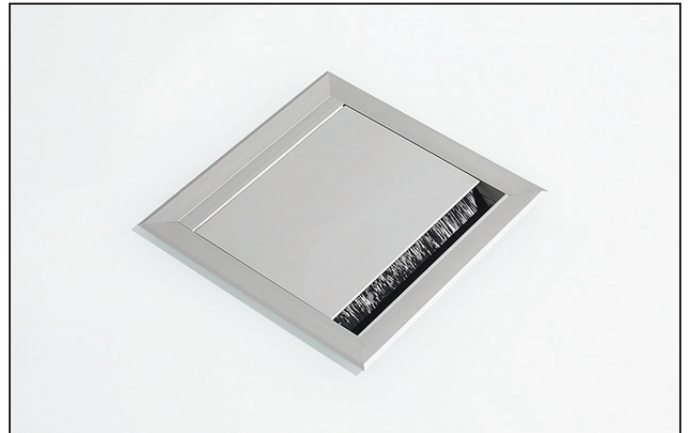
## INSTALLING VOX® FORUM™



5

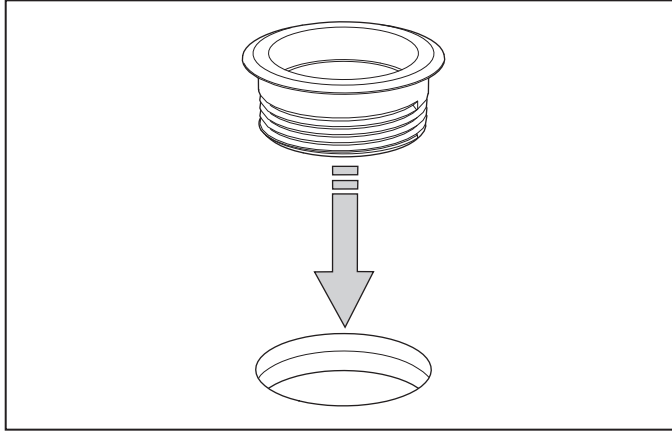
- Position the Vox® Forum™ in the opening, and firmly press up until it is flush with the top faces of the frame pieces installed in step 1.
- Rotate the plastic clips into place (Diagram A) and tighten the thumb screw fasteners.

## INSTALLATION COMPLETE



6

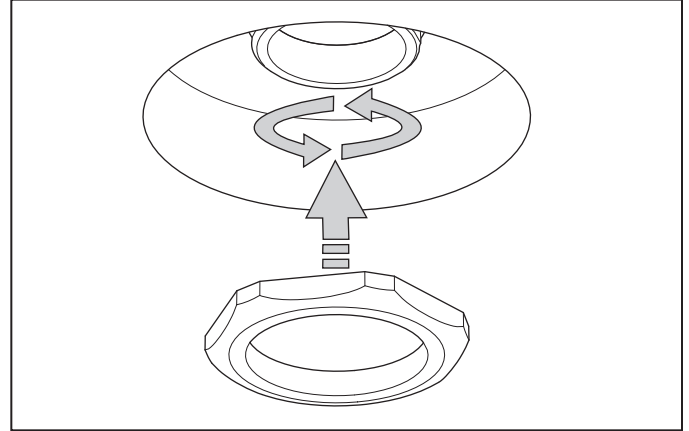
## INSTALLING GLASS TOP GROMMET



1

- Place aluminum grommet body in the cutout provided in the glass table top.

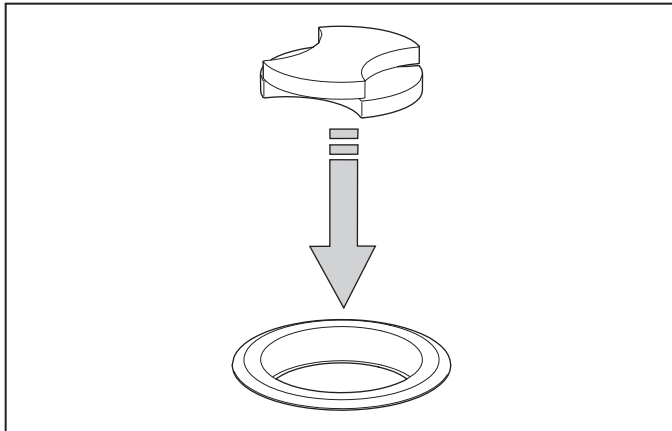
## SECURING GROMMET BODY



2

- From underneath the table, thread the plastic nut onto the bottom of the grommet body, and hand-tighten only.

## PLACE GROMMET COVER



3

- Once unit is secure to the top, place the swivel cover in the grommet.
- The swivel cover is designed to cover the hole, or allow wires to pass through.

## INSTALLATION COMPLETE



4