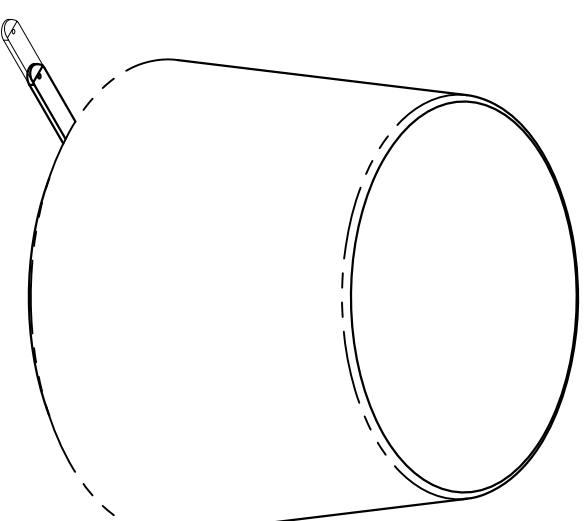
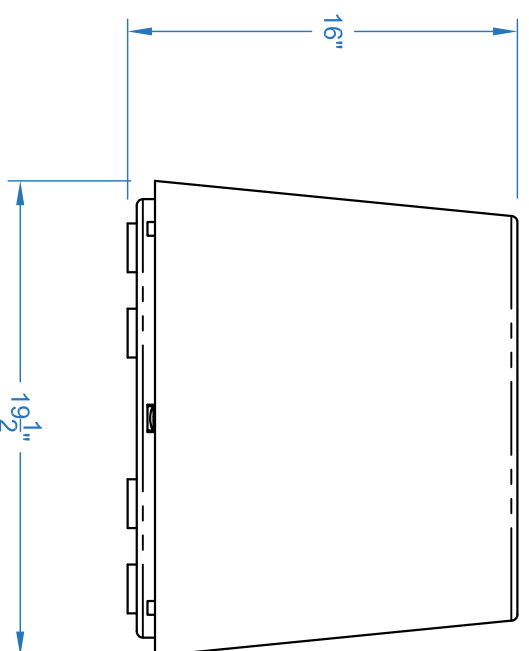
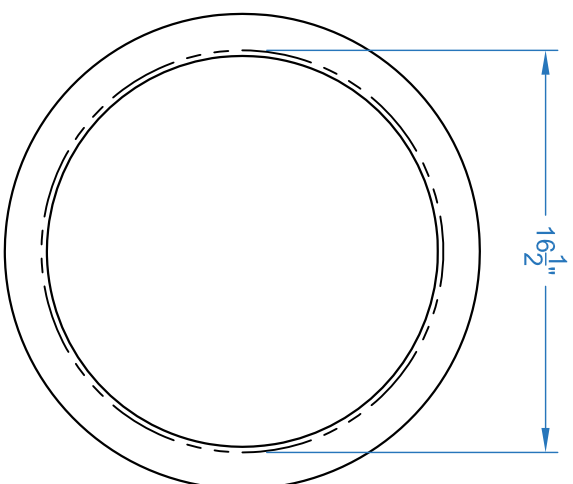


PLAN VIEW



- NOTES:
- SOME NOMINAL DIMENSIONS ARE REFLECTED IN THIS DRAWING - NOT TO BE USED FOR ENGINEERING.
 - DETAILS AND DIMENSIONS CONTAINED IN THIS DRAWING ARE NON-BINDING AND SUBJECT TO DESIGN IMPROVEMENT.
 - NIENKÄMPER RESERVES THE RIGHT TO MAKE CHANGES WITHOUT NOTICE.

nienkämper 257 Finchdene Square, Scarborough, Ontario, Canada, M1X 1B9 Tel 416 298 5700 Fax 416 298 9535 www.nienkamper.com design@nienkamper.com		OC-Project: MOMENT COLLECTION		Drawing No:	
Title: STOOL WITH 16.5" TOP MDL# 26012		Date:		Revision No.	
Scale:		Dwg For		Rev	
Drawn: DESIGN DEPT.		CLIENT REVIEW / WEBSITE		Date:	
Rev		PART # :		Date:	
Details:		-		R-	
				Issue Drawing To:	
				CS CUST. SERVE	

THIS DRAWING IS CONFIDENTIAL AND PROPRIETARY. NO PART OF THIS DRAWING MAY BE COPIED, REPRODUCED, OR USED FOR ANY PURPOSE WITHOUT THE EXPRESS WRITTEN AUTHORIZATION OF NIENKÄMPER FURNITURE & ACCESSORIES.