

Allsteel®



Concensys®



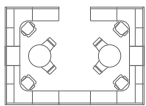
A Simple Solution

Concensys has functional solutions to suit any space. The system is easy to specify and order. It arrives fully assembled for a simple install. Concensys is backed by Allsteel's Lifetime Warranty and built to endure multiple reconfigurations as your needs change.

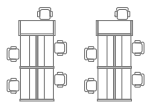


Flexible Arrangements

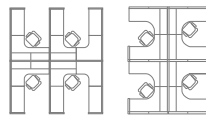
Concensys panels and worksurfaces and Essentials™ storage come together to create whatever the workspace demands. Choose from arrangements that support efficient space planning and multiple work modes.



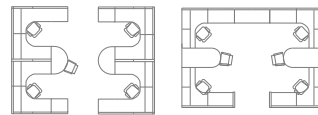
Team Spaces



Call Centers



Task-Intensive Workstations



Collaborative Workstations



Reception



Finishing Touches

Concensys brings functionality to every workspace design. From personal towers to pedestals, every aspect supports efficiency and organization. The system also features a wide range of fabric and finish options.



Relate® Task



Merge®



Relate Side



Essentials



Extensions™
Organization

Design Details



Create access to natural light by incorporating lower wing panels.



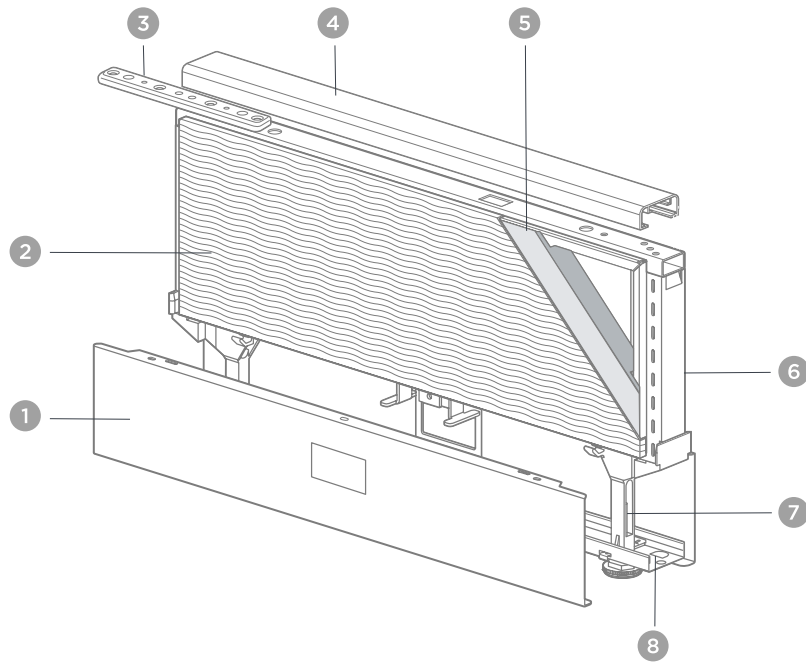
Threaded metal inserts on worksurfaces allow for easy alignment and reconfiguration.



Essentials storage integrates with Concensys to offer convenience, capacity, and durability with choices in pull styles and paint colors.

Panel Construction

- 1 Metal base cover
- 2 Fabric
- 3 Metal panel-to-panel connector
- 4 Metal top trim
- 5 Sound-absorbing fiberglass surrounding both sides of a center core
- 6 Welded steel frame
- 7 Internal panel leg with leveler
- 8 Metal lay-in cabling tray



Cover Panel fabric: Tango Aficionado **Laminate (edge):** Frosty White (White) **Paint:** Bungalow **Seating Upholstery:** Wooly Bamboo **Frame Finish:** Black **p. 2 Panel fabric:** Element Millet **Laminate (edge):** Frosty White (White) **Paint:** Brilliant White **p. 3 Top Left Panel fabric:** Mica Breeze **Glass:** Clear **Laminate (edge):** Brazilwood (White) **Paint:** Brilliant White **Top Right Panel fabric:** Element Warm Beige **Glass:** Clear **Laminate (edge):** Frosty White (White) **Paint:** Fossil **Bottom Left Panel fabric:** Appoint Chai **Glass:** Clear **Laminate (edge):** Frosty White (White) **Paint:** Brilliant White, Fossil **Seating upholstery:** Wooly Framboise **Bottom Right Panel fabric:** Appoint Dune **Laminate (edge):** Frosty White (White) **Paint:** Fossil **pgs. 4-5 Panel fabric:** Tempest Gold Rush **Laminate (edge):** Frosty White (White) **Paint:** Gunmetal Metallic **Seating upholstery:** Brisa[®] Ash, Brisa Butterscotch **Frame finish:** Titanium

Concensys Statement of Line

PANELS

Tackable Acoustical



Stacking*

Glass



Fabric



Doors

Hinged



Sliding



Panel heights: 32", 43", 56", 69", 82"

Panel widths: 18", 24", 30", 36", 42", 48", 60"

*Stacking height available in 13" only.

WORKSURFACES

Primary



Bow-Front



Corner

Straight Edge



Radial Edge



Corner Cove



Corner Shelf



Peninsula



P-Shaped Peninsula



Jetty



Boomerang



Reef



Wave



Quarter-Round



D-Shaped



STORAGE

Overheads

Flipper Door



Sliding Door



Receding door overhead also available.

Bookshelf



Bookcases

2-, 3-, 4-, 5-Shelf



Cubby

Shown mounted beneath secondary worksurface



Personal Files

2-High



Personal Towers

Front Access



Side Access



Combination Files

Hinged Doors



Open Shelves



Storage Cabinets

3-High



5-High



Lateral Files

2-, 3-, 4-, 5-High



Pedestals

Freestanding



Support



Suspended



Mobile



Mobile pedestals have optional laminate or cushion tops.

Base options include flush or recessed.

Pull options include arch, beveled, integral, or square.



Allsteel®

Allsteel Inc.
Muscatine, Iowa 52761
allsteeloffice.com

Form # A7665.B1 (03/17)

©2017 Allsteel Inc.
Allsteel and Concensys are registered trademarks.
Indoor Advantage is a trademark of SCS Global
Services. level is a registered trademark of BIFMA
International.

Allsteel supports green initiatives in the
contract furniture industry as a member
of the U.S. Green Building Council.
Concensys is an SCS Indoor Advantage™
Gold and level 2 certified product.

