

NEW  
RELEASE  
BROCHURE

UNIVERSAL  
RIM  
HOUSING  
DESIGN  
"URHD"



T CONCEPTS SOLUTIONS

MIAMI, FL

888.409.9340

T-CONCEPTS.COM

FOLLOW US ON





# UNIVERSAL RIM HOUSING DESIGN "URHD"

## ABOUT THIS REMARKABLE DESIGN

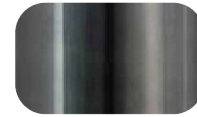
A patented, locking ladder pull that is destined to revolutionize the door handle hardware industry. With this exclusive TCS design, a locking ladder pull can be specified and purchased without the constraints of having to identify the specific lock/core type and manufacturer early on. This design saves time, money and reduces risks.

On many occasions the project team wishes to move quickly into installation, without much clarity on which locking standard to use. The solution has arrived; T-Concepts Solutions introduces "URHD", designed to receive desired RIM Cylinder Housing or IC (Interchangeable Core) RIM Housing. Endless solutions thanks to our patented internal transition plate.

## FINISH OPTIONS



**US19**  
MATTE  
BLACK FINISH



**US17A**  
TITANIUM  
BLACK



**US32**  
POLISHED  
STAINLESS STEEL

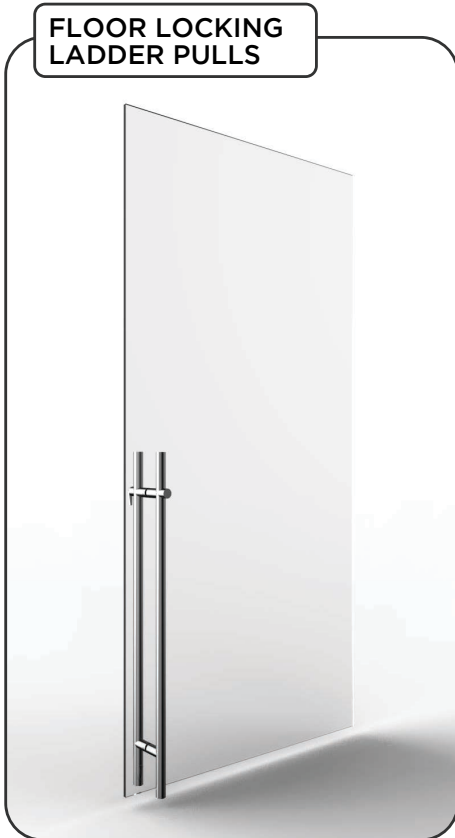


**US32D**  
BRUSHED  
STAINLESS STEEL

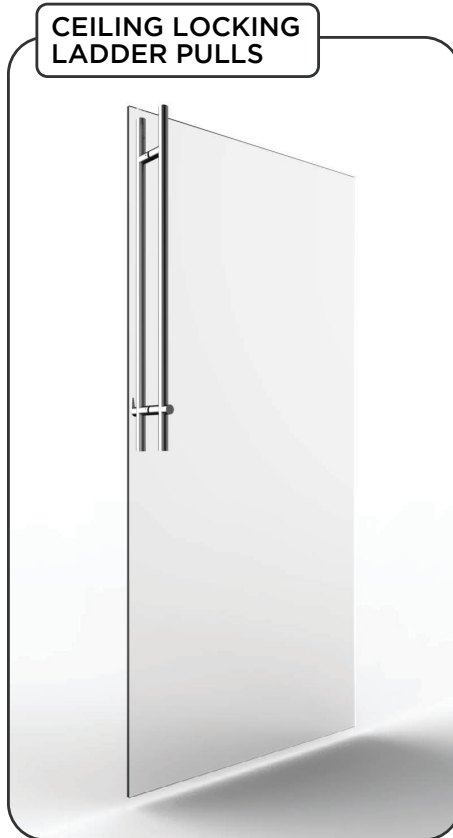


**US10B**  
OIL RUBBED  
BRONZE

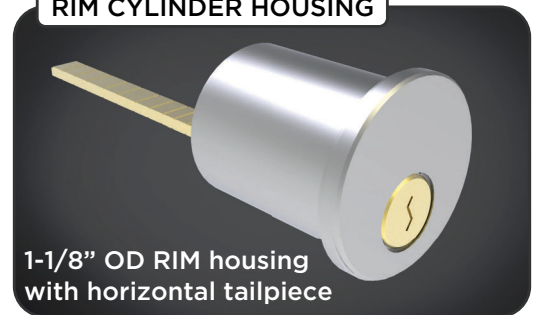
FLOOR LOCKING  
LADDER PULLS



CEILING LOCKING  
LADDER PULLS

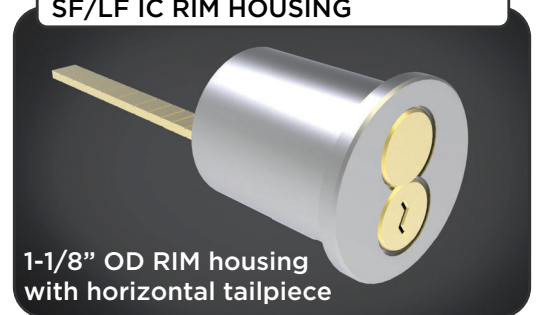


RIM CYLINDER HOUSING



1-1/8" OD RIM housing  
with horizontal tailpiece

SF/LF IC RIM HOUSING



1-1/8" OD RIM housing  
with horizontal tailpiece



T CONCEPTS SOLUTIONS

MIAMI, FL

888.409.9340

T-CONCEPTS.COM

FOLLOW US ON





# UNIVERSAL RIM HOUSING DESIGN "URHD"



*SYSTEM SHOWN:  
TCS SlimWall  
with control-close  
Evo hinge and  
ADA staggered  
locking ladder pull.*



T CONCEPTS SOLUTIONS

MIAMI, FL

888.409.9340

T-CONCEPTS.COM

FOLLOW US ON





# UNIVERSAL RIM HOUSING DESIGN "URHD"

No longer does our market need to be concerned with purchasing the incorrect locking ladder pull, delaying a project and/or concerns of incurred costs directly due to specification error. Convertibility is key! Our URHD handle allows you to change to SFIC, LFIC cores or RIM cylinders in the field. This design eliminates all risks!

Aesthetically this handle is unique with its consistent tube diameter, offered to complete a clean, streamlined, and balanced design.

*SYSTEM SHOWN:  
TCS Slim Wall with Auto-Patch Rail  
and ADA top locking ladder pull.*



T CONCEPTS SOLUTIONS

MIAMI, FL

888.409.9340

T-CONCEPTS.COM

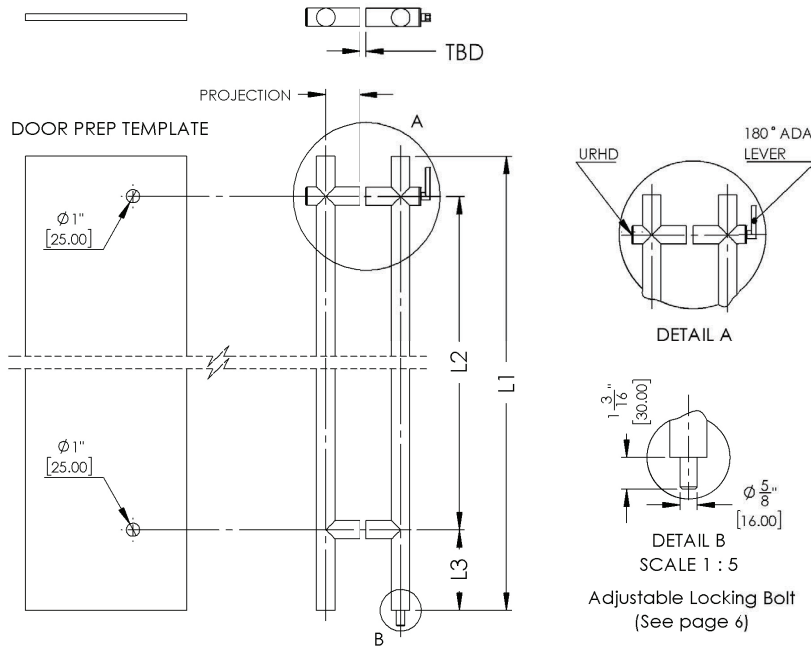
FOLLOW US ON





# UNIVERSAL RIM HOUSING DESIGN "URHD"

## DOOR PREP TEMPLATE



L1, L2, L3 are customizable

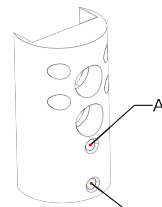
## DETAILS

**A**

- LFIC YALE
- LFIC SCHLAGE
- LFIC PRIMUS
- LFIC MEDECO
- RIM HOUSING

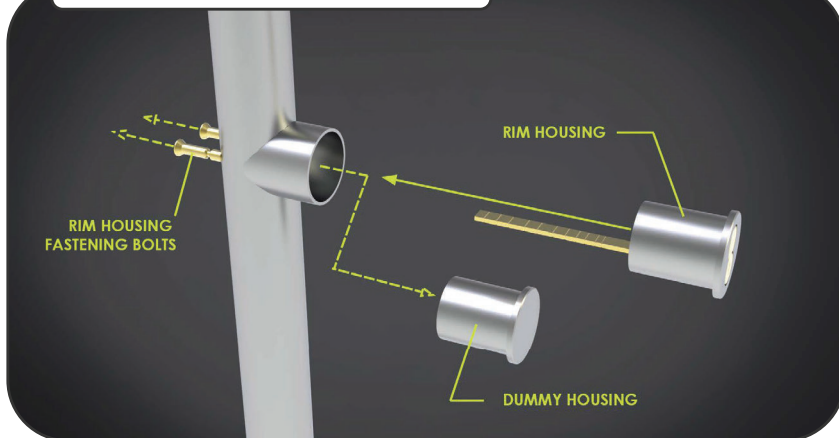
**B**

- SFIC
- LFIC SARGENT
- LFIC CORBIN



**Transition Plate**  
(See [installation manual](#) for details)

## DUMMY HOUSING REMOVAL

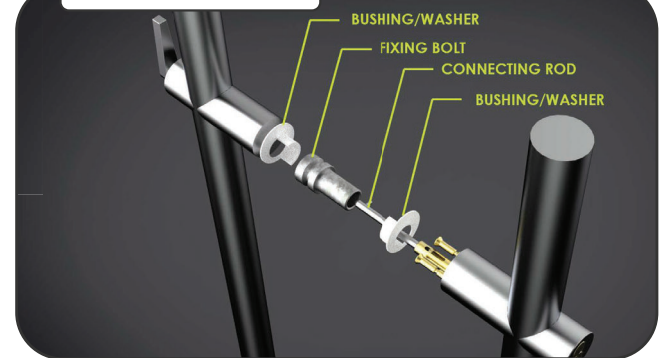


## TECHNICAL DATA

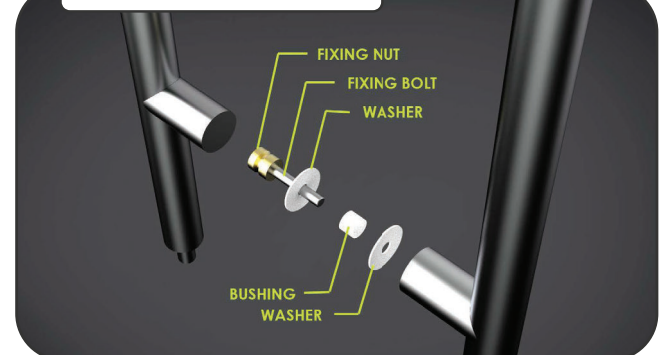
FINISH	TBD
TUBE OD	Ø35MM
POST OD	Ø35MM
LOCKING POST OD	Ø35MM
WASHER	PLASTIC
BUSHING	PLASTIC
SUBSTRATE THICKNESS	TBD
PROJECTION	2.58"[65.50MM]
CORE FORMAT	UNIVERSAL LFIC/SFIC RIM CYL
CORE HOUSING OD	Ø 1-1/8"
ACTUATOR	180° LEVER TURN

*Conversion kits can be quoted and supplied for substrate thicknesses over 1/2" (12.7mm).*

## TOP ASSEMBLY



## BOTTOM ASSEMBLY



T CONCEPTS SOLUTIONS

MIAMI, FL

888.409.9340

T-CONCEPTS.COM

FOLLOW US ON





# UNIVERSAL RIM HOUSING DESIGN "URHD"

## ENDLESS OPTIONS

### DOUBLE-GLAZED OPTION

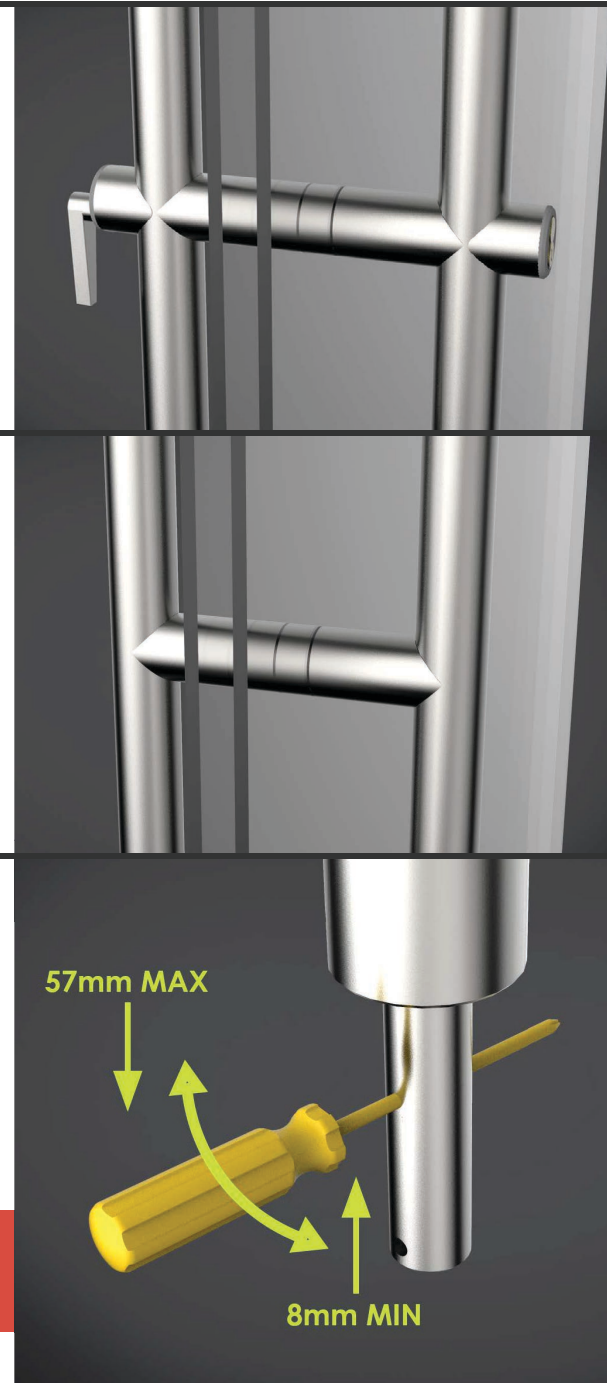
This handle can be installed on a double-glazed door with the help of double-glazed bushings. The bushings are custom designed to work with any air spacing requirement.

### INTERCHANGEABLE NON-LOCKING HANDLE SOLUTION *(For Single and Double-Glazed Design)*

We offer this unique option to provide a uniformed look between the locking and non-locking design, with added flexibility to interchange between the two. Eliminating the need to purchase and replace glass doors. Saving additional time and money.

### ADJUSTABLE LOCKING BOLT

To address field issues with floor/header variations, TCS adjustable bolt design allows the bolt to be adjusted to a desired length effortlessly. The bolt length can be varied from the minimum of 8mm to the maximum of 57mm. With this 49mm adjustment range, floor and header variations will no longer be an issue.



EVERY PROJECT IS FACED WITH NOT KNOWING THE PROPORTION OF LOCKING VS. NON-LOCKING LADDER PULLS. **HERE IS THE ULTIMATE SOLUTION.**



T CONCEPTS SOLUTIONS

MIAMI, FL

888.409.9340

T-CONCEPTS.COM

FOLLOW US ON





# UNIVERSAL RIM HOUSING DESIGN "URHD"

## ADA COMPLIANCE

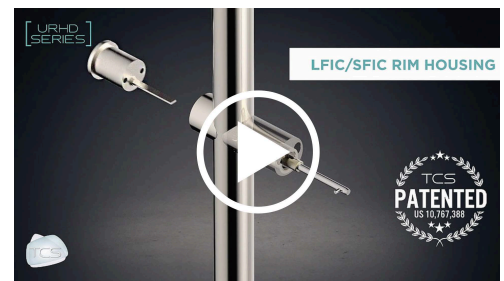


For the ultimate locking handle solution, ADA compliance standards are a constant priority at T-Concepts Solutions. Our URHD handle can be designed to meet all accessibility codes throughout the United States.



CHECK OUT THIS COOL ANIMATION SHOWING HOW TO REPLACE THE DUMMY HOUSING WITH A RIM CYLINDER HOUSING!

[CLICK HERE!](#)



T CONCEPTS SOLUTIONS

cylinder!

MIAMI, FL

888.409.9340

T-CONCEPTS.COM

FOLLOW US ON





# UNIVERSAL RIM HOUSING DESIGN "URHD"

## ABOUT

## T-CONCEPTS SOLUTIONS

T-Concepts Solutions (TCS) is a Miami-based manufacturer of architectural door hardware. Our firm specializes in locking ladder pulls, non-locking ladder pulls, custom pull handles, ADA compliant hardware, hydraulic hinges + patch fittings, along with complete, revolutionary environments' solutions. TCS services clients throughout North and South America, and Europe.

T-Concepts has taken a long look at the glass hardware industry...and decided it's time for a transparent evolution.

For more information, visit us online or contact us directly.



[T-CONCEPTS.COM](http://T-CONCEPTS.COM)



[888.409.9340](tel:888.409.9340)



[HELLO@T-CONCEPTS.COM](mailto:HELLO@T-CONCEPTS.COM)



**REQUEST A QUOTE!**

[RFQ@T-CONCEPTS.COM](mailto:RFQ@T-CONCEPTS.COM)



**AVOID COSTLY MISTAKES ON YOUR NEXT ADA DOOR HANDLE PROJECT**

**CLICK HERE TO DOWNLOAD THE FREE ADA COMPLIANCE GUIDE**



T CONCEPTS SOLUTIONS

MIAMI, FL

888.409.9340

[T-CONCEPTS.COM](http://T-CONCEPTS.COM)

FOLLOW US ON

