

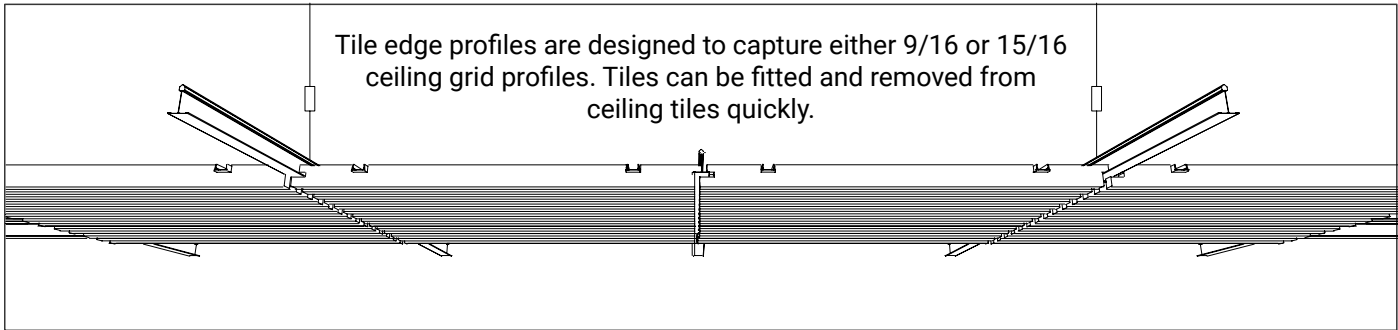
ECOUSTIC® BLADE CEILING TILE INSTALLATION + CARE



unika vaev
INSTYLE

Hear yourself think®

ECOUSTIC® BLADE CEILING TILE INSTALLATION + CARE



Supplied

ecoustic® Blade is supplied in box qtys as follows:

- 24" x 24": [8] per box
- 48" x 24": [4] per box

Ceiling Grids

Ceiling grid systems are not supplied.

ecoustic® Blade Ceiling Tiles can be used in any standard proprietary ceiling grid systems.

Use ceiling grids in black finish color to complement ecoustic® Blade Ceiling Tiles.

The total weight per ft² of all ecoustic® Blade Ceiling Tiles is within the maximum weight rating of most proprietary grid systems. Check the weight of tile specified is within the grid hanger and spanning capability of the nominated grid. New ceiling grids must be installed to comply with manufacturer's specifications. When using existing ceiling tile grids, installers must confirm the structural adequacy of the grid and install additional grid hangers as required to meet structural engineer's specifications.

Structural engineers safety certification must be confirmed for all overhead installations.

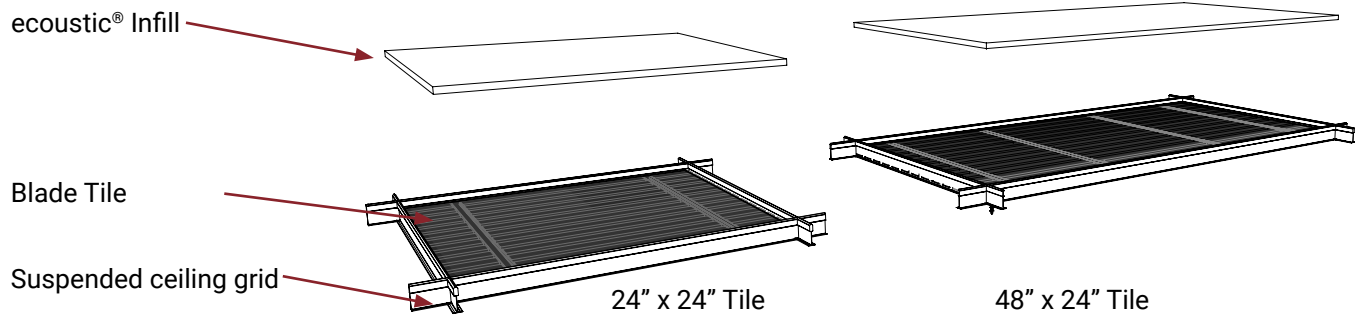
ecoustic® Infill

Where infills are used and tiles are to be removed, care needs to be taken that the infill is secured to the tile to avoid injury.

ECOUSTIC® BLADE CEILING TILE INSTALLATION + CARE

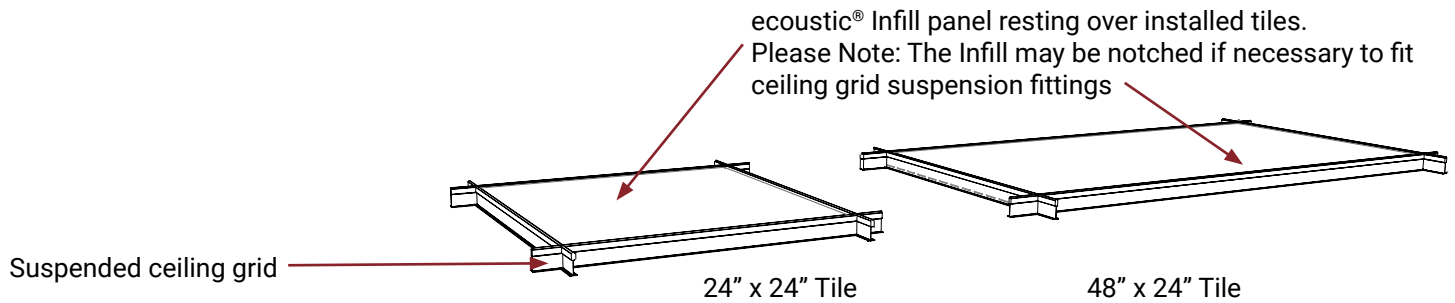
Step 1

Rest tile within suspended ceiling grid



Step 2

Use access from adjoining ceiling grid open area to offer ecoustic® Infill panels over the installed tiles

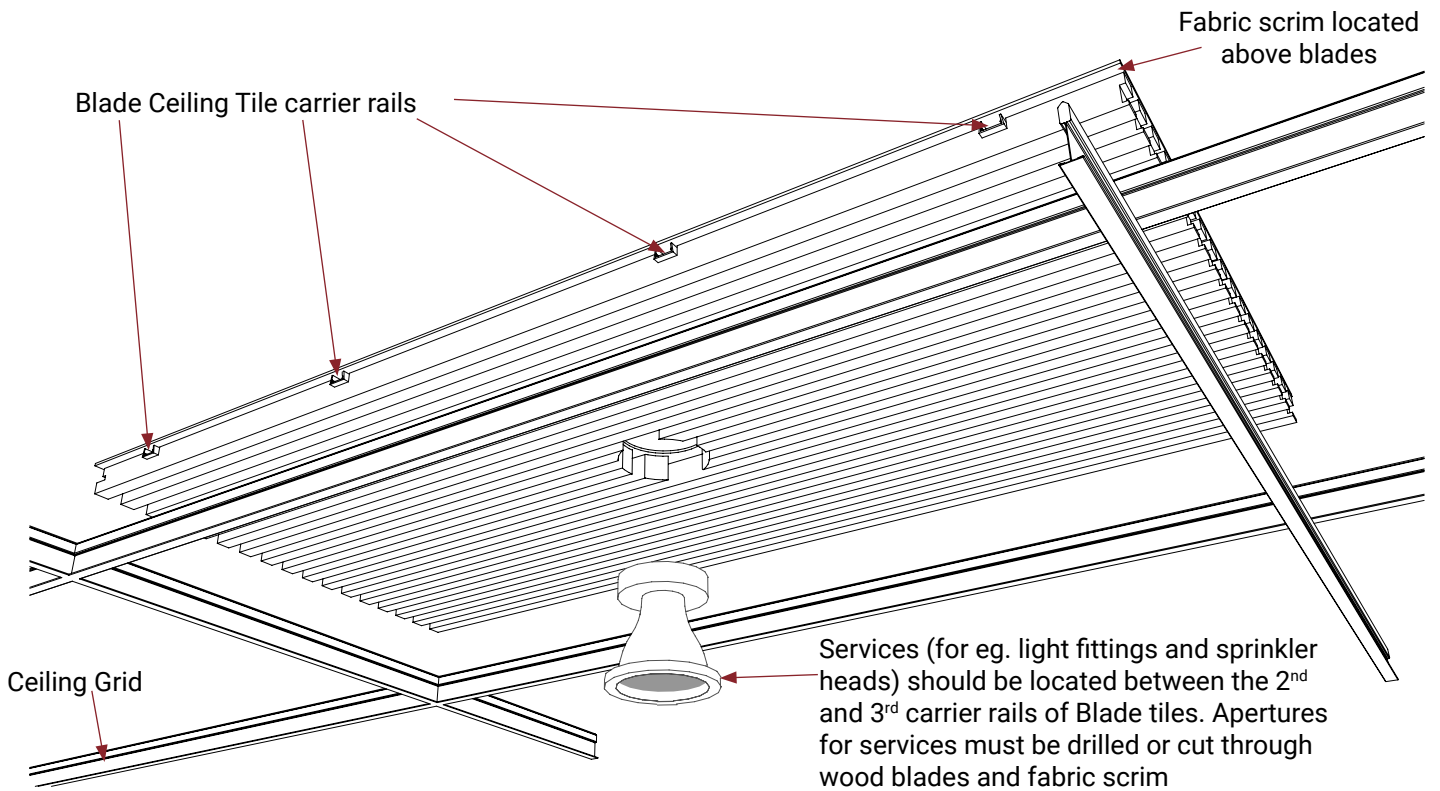


Step 3

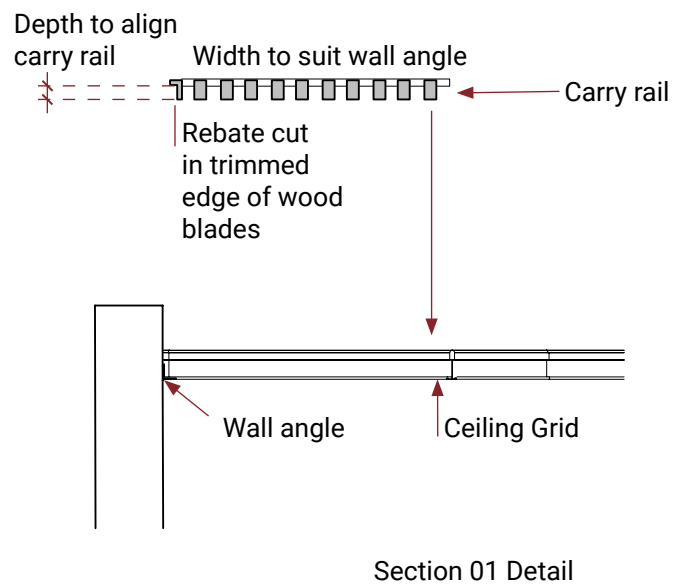
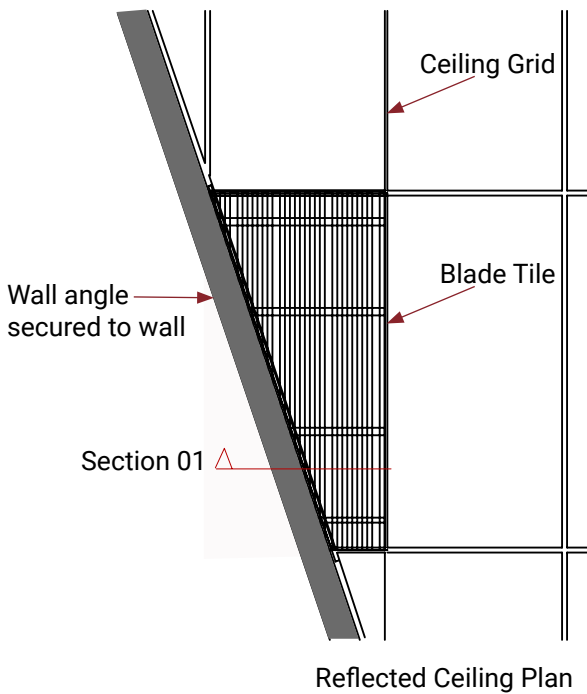
Rest ecoustic® Infill panels over tile, ensuring the Infill is located within suspended ceiling grid T bars

Please Note: Hold or secure Infill panel to final tile to be installed within a ceiling space

LIGHT FITTING INSTALLATION

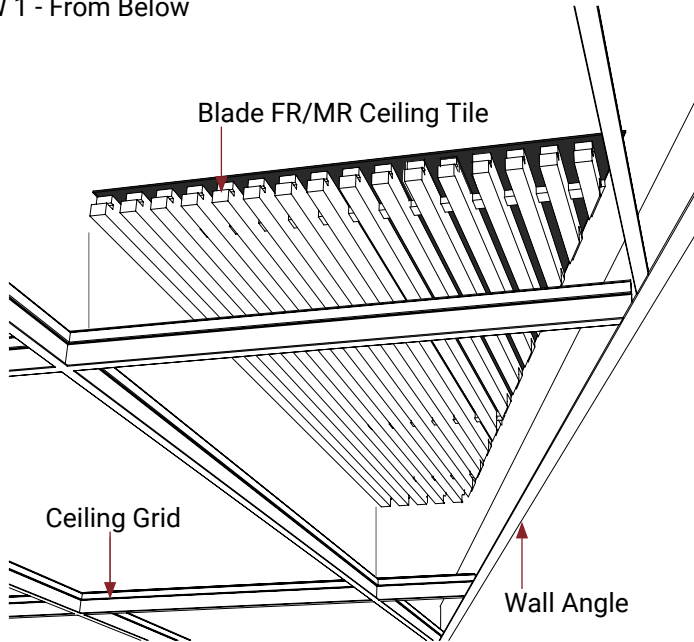


ANGULAR CEILING INSTALLATION

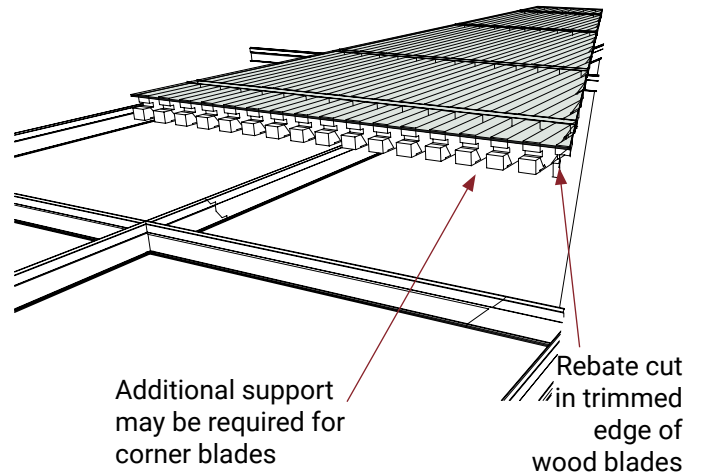


ANGULAR CEILING INSTALLATION CONTINUED

VIEW 1 - From Below



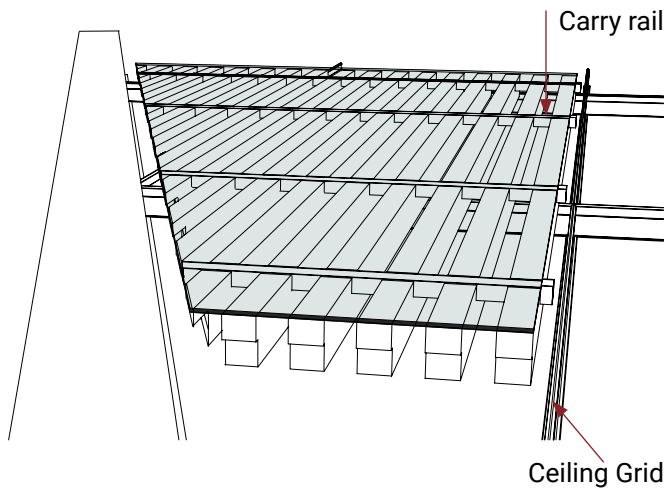
VIEW 2 - From Above



Measure the edge triangular tiles on site, and cut the Blade Ceiling Tile + Scrim fabric over the blades as needed to align the hypotenuse of the triangle shape.

Cut a rebate in the hypotenuse of the tile blades, such that the rebate height will align the level of blade tile carrier rails, and the rebate width will align the edge of intended Blade tile hypotenuse support (wall angle or ceiling grid).

VIEW 3 - From Above



Check tolerances and apply desired finish to the cut wood surfaces.

Please Note: It may be necessary to provide additional support to any blades not supported by carry rails. This could be achieved from above the scrim fabric via mechanical fasteners through discarded sections of carry rail or similar.

ECOUSTIC® BLADE MAINTENANCE

ecoustic® Blade surfaces are easy to clean using a cloth dampened with warm water and detergent. If in doubt about a particular cleaner or detergent, check with its manufacturer for the suitability. We recommend you test on a small area or sample prior to applying to the surface.

- Avoid the use of acetone or trichloroethylene for cleaning purposes.
- The use of abrasive cleaners, powders, scouring pads, steel wool, sandpaper, etc. may damage the finish and make the surface susceptible to staining.
- Accidental spills or splatters from these harsh materials should be wiped off immediately, and the area cleaned thoroughly with a damp cloth.
- Examples of these materials are: Ceramic cooktop cleaners, tub and tile cleaners, chlorine bleach, oven cleaners, and harsh detergents.

Avoid dragging or hitting heavy objects against the surface.

Please Note: The information, opinions, advice and recommendations provided have been prepared with due care. They are offered only for the purpose of providing some useful and helpful assistance to specifiers and their clients. While every effort has been made to ensure that this is in accordance with current technology, it is not intended as an exhaustive statement of all relevant knowledge.