



Pricing May 2023
Discount 57.7% from List prices

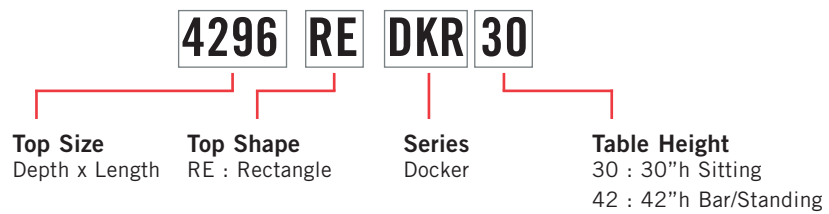


OPEN MARKET

DOCKER TABLES

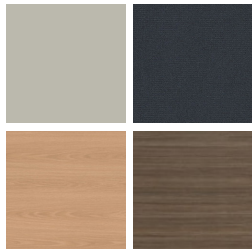


PRODUCT CODE



FINISHES

LAMINATE



Select from 15 standard laminates or choose any standard Wilsonart, Nevamar, Formica, Arborite and Pionite matte finish laminates for no extra charge

VENEER



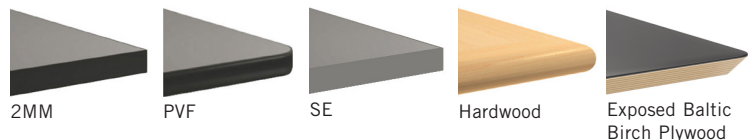
Select from one of our 9 standard wood stains or stain-to-match for no extra charge

BASE



Select from one of our 76 standard Spectone colors

EDGE

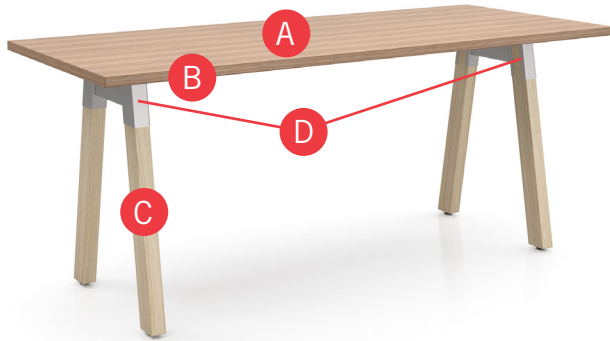


See Spectone Card or specfurniture.com/tools-and-resources/product-resources/finishes for a complete list of finish options and colors.



DOCKER TABLES

HOW TO ORDER



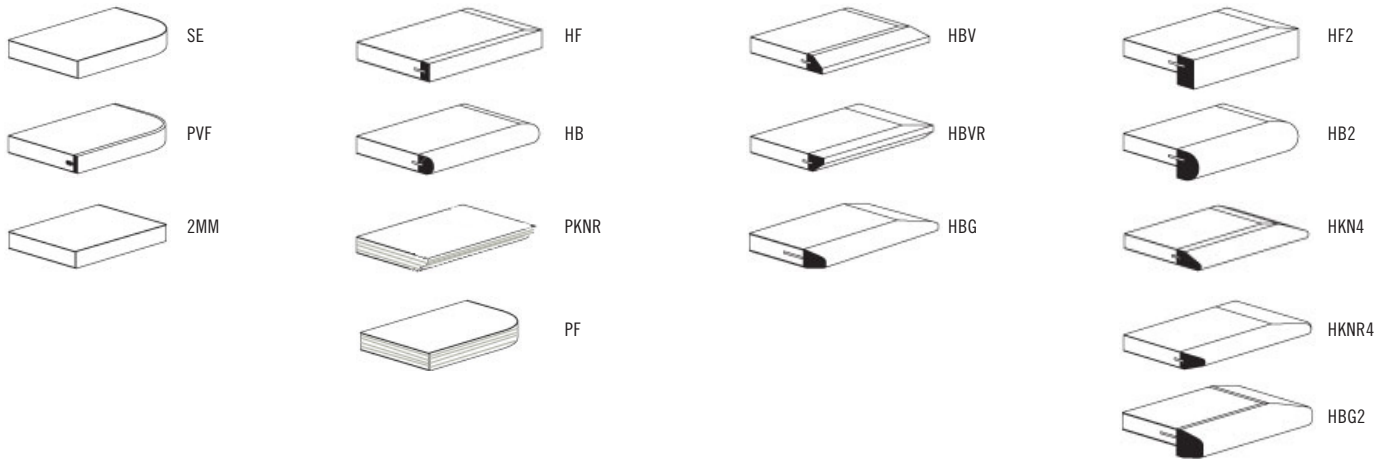
Specify Top Size (Width x Length)

- A** Specify Top Type and Finish
For Laminate Top: Manufacturer, Laminate Name & Code
For Veneer Top: Wood Species & Stain
 - B** Specify Edge Type, (for hardwood: Style), and Finish
PVF/2mm/Self Edge/Exposed Baltic Birch Plywood/Hardwood
 - C** Specify Base Style and Wood Finish
 - D** Specify Base Metal Finish
- Optional: Casters, Power and Data Modules, Bag Hook

Top Size	Top Type and Finish	Edge Type and Finish	Base Style, Wood Finish	Base Metal Finish
36 x 72	Laminate, Arborite, Brown Sugar	Self Edge, Laminate, Arborite, Brown Sugar	DKR30, Natural Wood	Silver



EDGE PROFILES





DOCKER TABLES COLLABORATIVE - 30" HIGH

MODEL	BASES <i>Code</i>	TOP SPECIFICATIONS						OPTIONS		LBS
		<i>For Laminate Top</i>			<i>For Veneer Top</i>			<i>Footrail (each)</i>	<i>Casters (includes Stretcher)</i>	
		SE PVF 2MM	HF HB PKNR ¹ PF ¹	HBV HBVR HBG	HF2 HB2 HKN4 HKNR4 HBG2	HF HB HBV HBVR HBG	HF2 HB2 HKN4 HKNR4 HBG2			
<i>30" high</i>										
24 X 72RE	DKR30	3790	4268	4378	4558	4674	5018	557	1023	88
24 X 84RE	DKR30	3944	4474	4606	4794	4940	5322	557	1023	95
24 X 96RE	DKR30	3973	4641	4794	5026	5191	5637	557	1023	103
30 X 72RE	DKR30	3964	4501	4636	4909	5054	5478	557	1023	99
30 X 84RE	DKR30	4254	4728	4890	5208	5375	5864	557	1023	108
30 X 96RE	DKR30	4281	5013	5208	5502	5699	6258	557	1023	117
36 X 72RE	DKR30	4042	4636	4789	5143	5315	5824	557	1023	113
36 X 84RE	DKR30	4472	5109	5311	5618	5820	6418	557	1023	124
36 X 96RE	DKR30	4483	5390	5618	5976	6207	6872	557	1023	134
42 X 72RE	DKR30	4415	4990	5190	5497	5694	6293	557	1023	124
42 X 84RE	DKR30	4787	5334	5553	6083	6258	6950	557	1023	136
42 X 96RE	DKR30	4853	6007	6320	6633	7101	8002	557	1023	149

¹ Exposed Baltic Birch plywood edge (PKNR, PF) can be specified on single-piece table tops up to 47 1/2" x 95 1/2" outer dimension. Tables up to 47 1/2" deep, and longer than 95 1/2" will feature two-piece tops and edge grain will not match at the seams. Clear finish only.

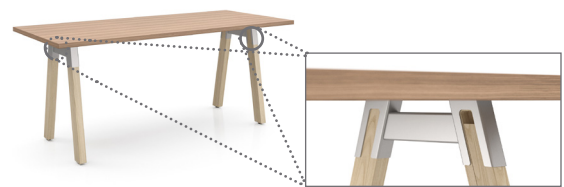


DKR30



DKR30

WITH OPTIONAL CASTERS



OPTIONAL INTEGRATED
VERTICAL WIRE MANAGER

STANDARD FEATURES

- Select from 15 standard laminates or choose any standard Wilsonart, Nevamar, Formica, Arborite and Pionite matte finish laminates for no extra charge. For other laminate please contact the factory for pricing.
- Standard in Solid Maple wood legs.
- Wood base components available in natural wood and 9 standard wood stains. Stain-to-match available for no extra charge.
- Metal base components available in any Spectone color.
- Standard with leveling glides.
- Ships Knocked Down.

OPTIONS

- 4 locking casters standard in Gray, stretcher included
- Click here for applicable Power & Data modules.
- Bag Hook (THOOK), add \$50 List each
- Footrail can be placed centered, on the left, right, or both sides of the table. On 24" w tables one footrest is recommended, centered.
- Integrated vertical wire manager is available on inside right leg only, add \$305 List each.
- For 1-3/4" solid wood top, please contact Factory.
- Chroming is available, please contact Factory.

HOW TO ORDER

1. Select Model
2. Select Base
3. Select Edge Style
4. Select Options
5. Select Top Finish
6. Select Edge Finish
7. Select Base Finish

Example: 3684RE - DKR30 - 2MM

MODEL | BASE | EDGE



DOCKER TABLES COLLABORATIVE - 36" HIGH

MODEL	BASES	TOP SPECIFICATIONS						OPTIONS		LBS
		For Laminate Top			For Veneer Top			Footrail (each)	Casters (includes Stretcher)	
	Code	SE PVF 2MM	HF HB PKNR ¹ PF ¹	HBV HBVR HBG	HF2 HB2 HKN4 HKNR4 HBG2	HF HB HBV HBVR HBG	HF2 HB2 HKN4 HKNR4 HBG2			
<i>36" high</i>										
24 X 72RE	DKR3	4580	5058	5168	5348	5464	5808	557	1023	102
24 X 84RE	DKR36	4734	5264	5396	5584	5730	6112	557	1023	109
24 X 96RE	DKR36	4763	5431	5584	5816	5981	6427	557	1023	117
30 X 72RE	DKR36	4754	5291	5426	5699	5844	6268	557	1023	113
30 X 84RE	DKR36	5044	5518	5680	5998	6165	6654	557	1023	122
30 X 96RE	DKR36	5071	5803	5998	6292	6489	7048	557	1023	131
36 X 72RE	DKR36	4832	5426	5579	5933	6105	6614	557	1023	128
36 X 84RE	DKR36	5262	5899	6101	6408	6610	7208	557	1023	139
36 X 96RE	DKR36	5273	6180	6408	6766	6997	7662	557	1023	149
42 X 72RE	DKR36	5205	5780	5980	6287	6484	7083	557	1023	139
42 X 84RE	DKR36	5577	6124	6343	6873	7048	7740	557	1023	151
42 X 96RE	DKR36	5643	6797	7110	7423	7891	8792	557	1023	164

¹ Exposed Baltic Birch plywood edge (PKNR, PF) can be specified on single-piece table tops up to 47 1/2" x 95 1/2" outer dimension. Tables up to 47 1/2" deep, and longer than 95 1/2" will feature two-piece tops and edge grain will not match at the seams. Clear finish only.



DKR36



OPTIONAL INTEGRATED
VERTICAL WIRE MANAGER

STANDARD FEATURES

- Select from 15 standard laminates or choose any standard Wilsonart, Nevamar, Formica, Arborite and Pionite matte finish laminates for no extra charge. For other laminate please contact the factory for pricing.
- Standard in Solid Maple wood legs.
- Wood base components available in natural wood and 9 standard wood stains. Stain-to-match available for no extra charge.
- Metal base components available in any Spectone color.
- Standard with leveling glides.
- Ships Knocked Down.

OPTIONS

- 4 locking casters standard in Gray, stretcher included
- Click here for applicable Power & Data modules.
- Bag Hook (THOOK), add \$50 List each
- Footrail can be placed centered, on the left, right, or both sides of the table. On 24" w tables one footrest is recommended, centered.
- Integrated vertical wire manager is available on inside right leg only, add \$305 List each.
- For 1-3/4" solid wood top, please contact Factory.
- Chroming is available, please contact Factory.

HOW TO ORDER

1. Select Model
2. Select Base
3. Select Edge Style
4. Select Options
5. Select Top Finish
6. Select Edge Finish
7. Select Base Finish

Example: 3684RE - DKR36 - 2MM

MODEL | BASE | EDGE



DOCKER TABLES COLLABORATIVE - 42" HIGH

MODEL	BASES <i>Code</i>	TOP SPECIFICATIONS						OPTIONS		LBS
		<i>For Laminate Top</i>			<i>For Veneer Top</i>			<i>Footrail (each)</i>	<i>Casters (includes Stretcher)</i>	
		SE PVF 2MM	HF HB PKNR ¹ PF ¹	HBV HBVR HBG	HF2 HB2 HKN4 HKNR4 HBG2	HF HB HBV HBVR HBG	HF2 HB2 HKN4 HKNR4 HBG2			
<i>42" high</i>										
24 X 72RE	DKR42	4580	5058	5168	5348	5464	5808	557	1023	102
24 X 84RE	DKR42	4734	5264	5396	5584	5730	6112	557	1023	109
24 X 96RE	DKR42	4763	5431	5584	5816	5981	6427	557	1023	117
30 X 72RE	DKR42	4754	5291	5426	5699	5844	6268	557	1023	113
30 X 84RE	DKR42	5044	5518	5680	5998	6165	6654	557	1023	122
30 X 96RE	DKR42	5071	5803	5998	6292	6489	7048	557	1023	131
36 X 72RE	DKR42	4832	5426	5579	5933	6105	6614	557	1023	128
36 X 84RE	DKR42	5262	5899	6101	6408	6610	7208	557	1023	139
36 X 96RE	DKR42	5273	6180	6408	6766	6997	7662	557	1023	149
42 X 72RE	DKR42	5205	5780	5980	6287	6484	7083	557	1023	139
42 X 84RE	DKR42	5577	6124	6343	6873	7048	7740	557	1023	151
42 X 96RE	DKR42	5643	6797	7110	7423	7891	8792	557	1023	164

¹ Exposed Baltic Birch plywood edge (PKNR, PF) can be specified on single-piece table tops up to 47 1/2" x 95 1/2" outer dimension. Tables up to 47 1/2" deep, and longer than 95 1/2" will feature two-piece tops and edge grain will not match at the seams. Clear finish only.



DKR42



DKR42

WITH OPTIONAL CASTERS



OPTIONAL INTEGRATED
VERTICAL WIRE MANAGER

STANDARD FEATURES

- Select from 15 standard laminates or choose any standard Wilsonart, Nevamar, Formica, Arborite and Pionite matte finish laminates for no extra charge. For other laminate please contact the factory for pricing.
- Standard in Solid Maple wood legs.
- Wood base components available in natural wood and 9 standard wood stains. Stain-to-match available for no extra charge.
- Metal base components available in any Spectone color.
- Standard with leveling glides.
- Ships Knocked Down.

OPTIONS

- 4 locking casters standard in Gray, stretcher included
- Click here for applicable Power & Data modules.
- Bag Hook (THOOK), add \$50 List each
- Footrail can be placed centered, on the left, right, or both sides of the table. On 24" w tables one footrest is recommended, centered.
- Integrated vertical wire manager is available on inside right leg only, add \$305 List each.
- For 1-3/4" solid wood top, please contact Factory.
- Chroming is available, please contact Factory.

HOW TO ORDER

1. Select Model
2. Select Base
3. Select Edge Style
4. Select Options
5. Select Top Finish
6. Select Edge Finish
7. Select Base Finish

Example: 3684RE - DKR42 - 2MM

MODEL | BASE | EDGE