

Rockfon[®] Planostile[™] Snap-in Panel System

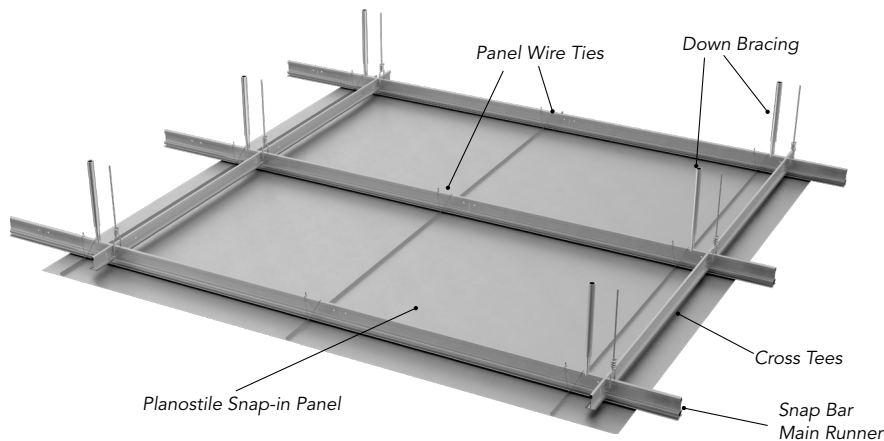
Exterior Installation Guide



System Overview

Rockfon Planostile Snap-in is a concealed metal ceiling panel system for interior and exterior applications (see separate guide for interior). The exterior system (2x2 panels only) has been engineered and tested under wind load, UL Construction No. 630 (Uplift-Class 30). The Snap-in metal ceiling panels are manufactured with panel indentions (dimples), designed to snap into a special snap bar main runner. The panels install from below and are not designed to work with standard 15/16" grid or other exposed grid systems.

[Download Planostile Snap-in Exterior Datasheet](#)



Best Practices

Always follow good safety practices when installing ceilings. Prior to beginning installation ensure that all materials are received and in good condition. Record any shipping damage on the carrier's bill of lading and contact Rockfon immediately to order replacement material:

- Email: cs@rockfon.com
- Fax: 866-211-3824
- Customer Service: 800-323-7164

*If there are any issues with your order, contact Customer Service at 1-800-323-7164, telephone option 1.
E-mail replacement material orders, including your purchase order number on document, to cs@rockfon.com.
For technical assistance, contact Technical Services at 1-800-323-7164, telephone option 2.*

Installation Conditions

Temperature and Humidity

Avoid installation in high moisture conditions where the space is not properly ventilated and acclimatized. Rockfon Planostile Snap-in panels should be installed in a clean environment, free from construction dust and debris.

Handling

Panels come shipped in cartons and should be stored in a dry location. Prior to installation, inspect the cartons for damage. Use care in handling and removing the panels. It is recommended to use clean gloves with a non-marking rubber/latex coating or polyethylene gloves when handling Rockfon metal ceiling panels to avoid contamination.

Reference Documentation

Several industry standards are published and available. Acoustical and metal ceiling installers should familiarize themselves with the installation methods and best practices recommended for ceiling systems.

Prior to installation, it's imperative the installer become familiar with any project specific documentation available. These items will confirm ceiling layout, panel sizes and finish, ceiling accessories, ceiling fixture layout and orientation, and any special edge conditions.

Industry Standard Documentation

- ASTM C636 (Standard Practice for Installation of Metal Ceiling Suspension Systems for Acoustical Tile and Lay-in Panels, <https://www.astm.org/Standards/C636.htm>)
- [CISCA Metal Ceilings Technical Guidelines](#)
- [CISCA Ceiling Systems Handbook](#)

Project Specific Documentation

- Reflected Ceiling Plans
- Project Specifications
- Approved Project Submittals (Datasheets, Shop Drawings)

Other Documentation

- [Metal Panels and Planks Brochure](#)
- [Product Case Study](#)
- [UL Construction 630 \(TGKX.630\)](#)

Tools Required

- Laser or leveling device
- Circular saw/jigsaw/electric shears
- Bandsaw
- Marking tool (pencil)
- Pliers
- Clean gloves
- Aviation snips
- Tape measure
- Drill
- Screwdriver (Phillips, Flathead)

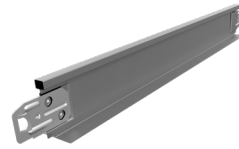
System Components



Planostile Snap-in Panel



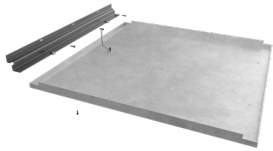
Snap Bar Main Runner



Cross Tees



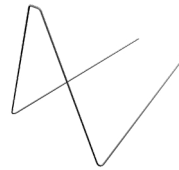
Wall Channel



Access Door Assembly



Brace Attachment Clip



Panel Retention Clip



Panel Removal Tool



Hold Down Insert

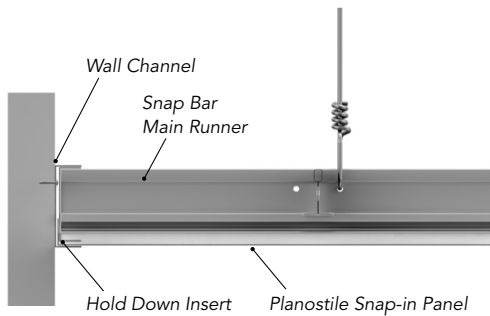
1. Suspension System Installation

All suspension must be installed per ASTM C636 including local building codes and standards. Special attention should be given to the squareness of the system. Unlike lay-in ceiling tiles, concealed panels are more sensitive to a system being out of square. It is recommended that a system be square within 1/16" over an 8' diagonal. Failure to have a square system will create a poor aesthetic appearance with misalignment in the corners and difficulty in installing the panels. It is also recommended to plan the layout for equal borders and that small perimeter panels less than 1/2 of a panel's width be avoided. Use minimum 12-gauge galvanized steel hanger wire per ASTM C636 for suspending the grid.

- 1.1 Secure the specified perimeter treatment (see options below) to the walls using appropriate fasteners. Reference any project documents for proper ceiling elevation. For panels terminating at the walls, 2 1/2" wall channel is the recommended option.

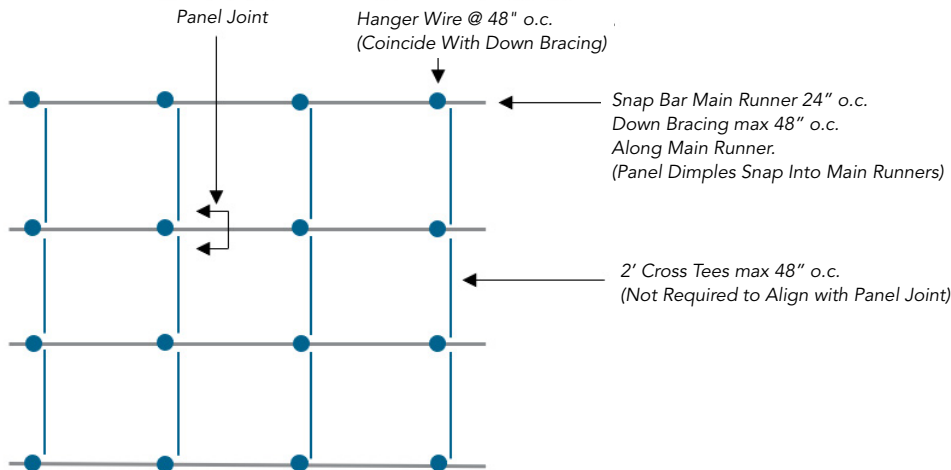
Perimeter Treatment Options

Panel installations that finish at the wall are trimmed out by wall channel.

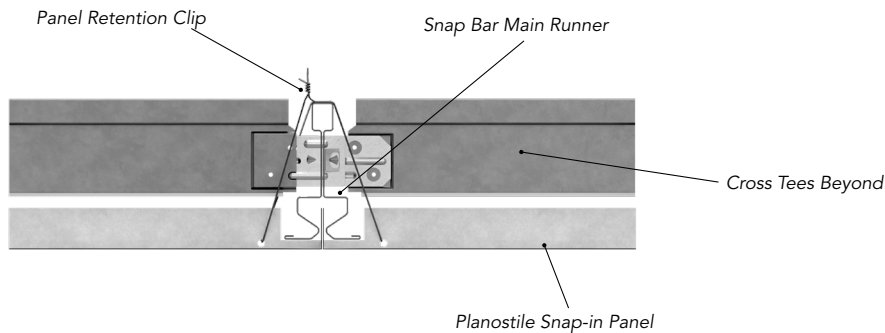


- 1.2 The on-center spacing of the special snap bar main runner is 24" for exterior installations. Cross tees are installed max 48" on-center and are not required to align with a panel joint. Refer to project drawings for panel layout, if available.

Suspension Layout - 2x2 Panels



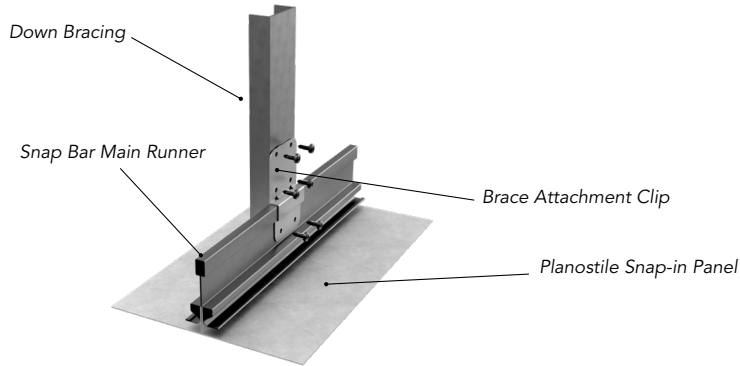
Cross-section Through Panel Joint/Snap Bar Main Runner



1.3 Down-bracing is a requirement for exterior applications. Install downbracing every 48" (max spacing) along the snap bar main runner. Down braces are to be selected based on the plenum depth and imposed axial load determined by architect or engineer of record (use table below as a guide).

Down Brace Methods

- Down bracing can be fastened to the main runner with two #8 by 1/2 in. (min) self-drilling screws.
- Down bracing can be notched to fit over bulb of main runner for uplift applications.
- Down bracing can be simplified with the use of the brace attachment clip (shown below).



Suggested Down Braces & Allowable Lengths

Description	3/4" Deep Channel (16 ga)	1-1/2" Deep Channel (16 ga)	1-5/8" Deep Stud (25 ga)	3/4" Dia. EMT 0.049" Thick	2-1/2" Deep Stud (25 ga)	3-5/8" Deep Stud (25 ga)	3-5/8" Deep Stud (20 ga)
Allowable Length (ft)	2'-0"	2'-5"	4'-0"	5'-0"	6'-0"	7'-0"	7'-10"
Allowable Axial Load (lb)	516	456	417	506	357	378	650
SSMA Designation*	075U50-54	150U50-54	162S125-18	-	250S125-18	362S125-18	362S125-30

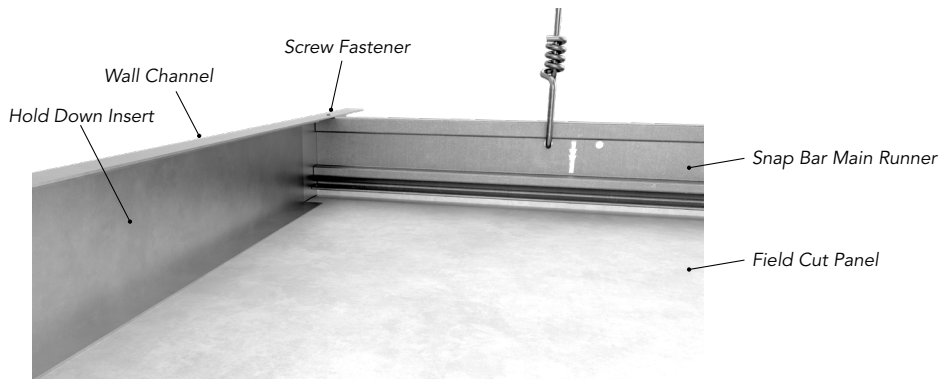
* Steel Stud Manufacturers Association (SSMA) Product Technical Information - July 2001

2. Panel Installation

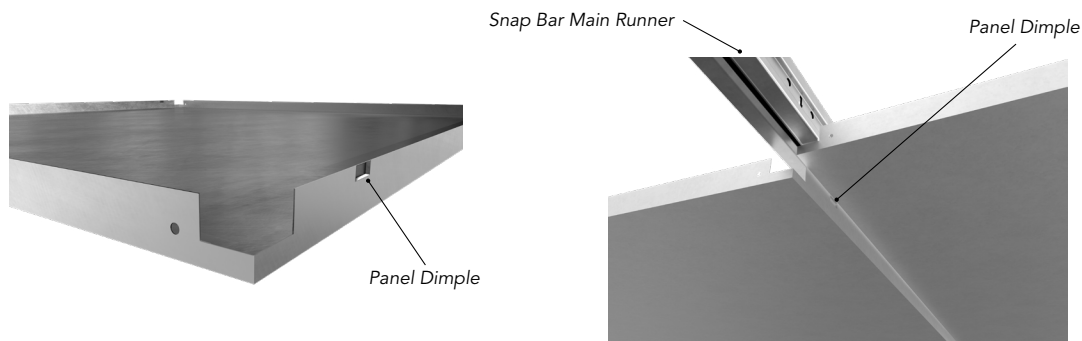
Note - Prior to panel installation, double check squareness of the suspension system. To aid in squareness and alignment, install some field panels prior to cutting in perimeter panels.

- 2.1** Install corner pieces and continue with the remainder of the perimeter panels. For cut panels, determine panel orientation and field cut panels to length.

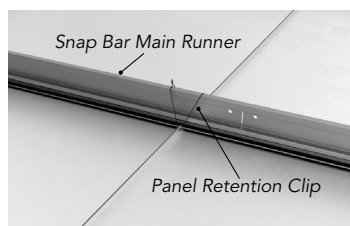
Use hold down inserts to hold the cut edge of the panels in place along the bottom leg of the channel. Use a minimum of one hold down insert per foot of panel width to maintain uniform contact with trim edge. Fasten hold down inserts to wall with 1" screws spaced 12" on center. Once the hold down inserts are installed, the perimeter panels are not accessible until the hold down inserts are removed.



- 2.2** Continue with the full-size field panels. From below, align the panel dimples with the snap bar main runner and push upward until the panels snap into place.



- 2.3** Panel retention clips are required for exterior applications. As panel installation progresses, install retention clips through holes in the panels and twist wrap over the snap bar main runner a minimum of 3 tight wraps.



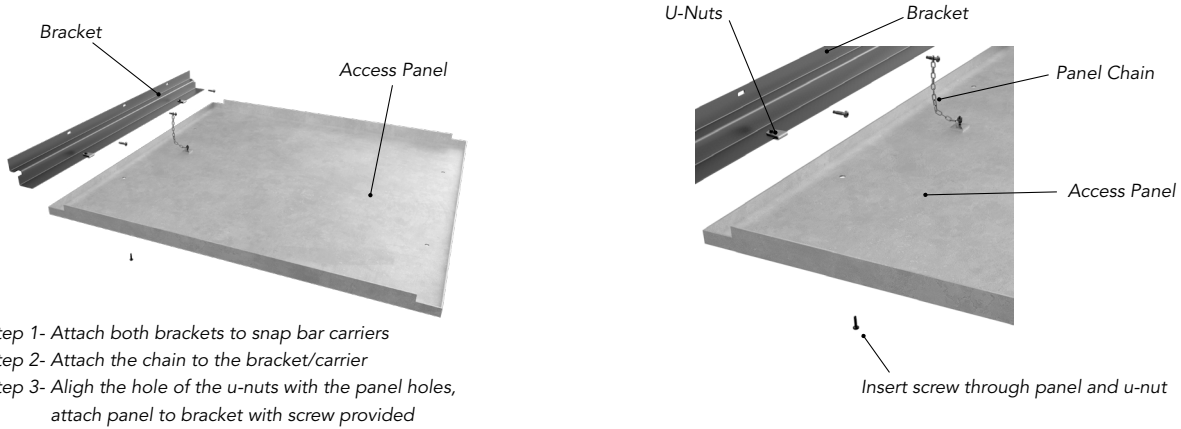
- 2.4** Cutting metal panels is often required at wall terminations where full size panels cannot be utilized. This is typically performed using a circular saw or table saw with an appropriate high quality metal cutting blade. Use all required personal protective equipment, as well as all appropriate safety precautions. Use properly sized backer material (foam, ceiling panel, wood etc.) inside the panel. Once the blade is at full speed, slowly cut the panel. Be aware, pushing the saw too quickly will result in sharp edges and a poor cut quality.

3. Panel Removal

This system is not designed for access to the plenum due to the engineered panel retention clips that prevent the panels from blowing out during high winds. If access is required, an access panel can be provided for a specific project. Once the access panel is removed, the panel retention clips must be removed before field panels can be disengaged from the suspension. Remove the panels with a 3" suction cup or panel removal tool.

3.1 Access Panel

The Planostile access panel assembly comes with a custom access panel, (2) brackets, #8 self-tapping screws and 1/4" x 20 slotted screws.



3.1 3" Suction Cup (Solid Panels Only)

Remove foreign matter from the panel surface. Attach the suction cup to the panel corner, with a firm and gentle force, pull down on the panel.



3.2 Removal Tool

Carefully insert the Planostile removal tool between the panel joints and hook on to a recess in the panel leg. Pull down on one panel side to disengage the panel from the snap bar main runner. Repeat on the same panel side at the other corner.



4. Service Integration

Fire sprinkler, speaker holes, etc., can easily be cut with a drill and hole saw. For recessed fixtures, the preferred type for Planostile Snap-in panels are flange style fixtures such as can lights. These types of fixtures are trimmed and hide the cut edges of the metal panels.

5. Cleaning

Select a mild, non-abrasive cleaning agent typically used for cleaning painted or reflective surfaces. Never use abrasive cleaning agents, as they may scratch, mar, alter, discolor, and/or remove the finish.

Before cleaning the finish, perform a trial test on a section of the finish which will be hidden from view once installed. This will ensure that the cleaning agent selected is appropriate and will not damage the finish in question.

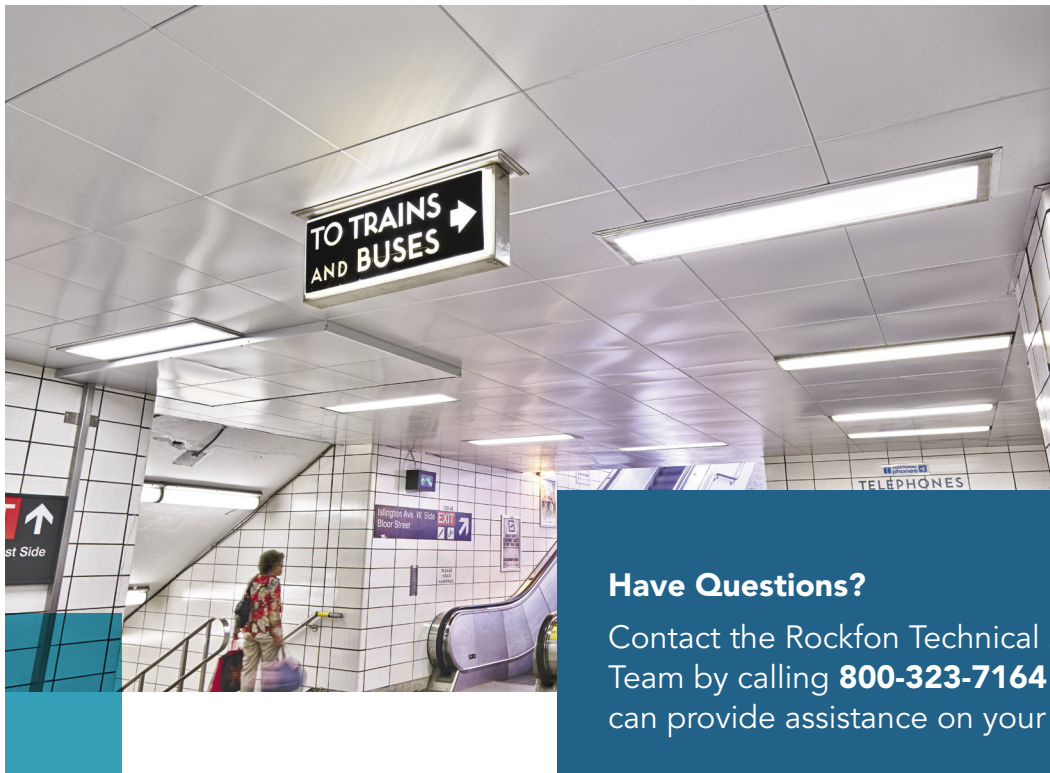
Once an appropriate cleaning solution has been selected, care should be taken to use only the amount which is necessary. Do not soak the ceiling components with the solution.

Use a clean soft sponge or cloth when applying the cleaning agent in order to ensure the applicator does not contain any abrasive elements which may damage the finish.

Any excess cleaning solution should be removed immediately so that the solution does not dry and possibly leave a residue. In the event a large area needs to be cleaned, it is advisable to break the area into smaller, more manageable sections, so that adequate time is available to complete each phase of the cleaning process.

After cleaning the soiled or smudged area, wipe the surface with a dry soft cloth to remove any residual cleaning solution and to dry the area. Use a clean damp cloth to remove any residue that cannot be removed with the dry cloth. Repeat the drying process.

After the components are clean, allow a few minutes for air drying before installation. It is important that the clean components are dry to ensure that other materials, such as insulation, which may be susceptible to damage from moisture does not come contact any moisture or damage from the cleaned materials. For additional cleaning information, please refer to our technical data sheet "[How to Clean Painted & Reflective Ceiling Component Surfaces.](#)"



Have Questions?

Contact the Rockfon Technical Services Team by calling **800-323-7164** and we can provide assistance on your project.

Rockfon® is a registered trademark
of the ROCKWOOL Group.

2022 | Subject to alterations in range and product technology without prior notice. Rockfon accepts no responsibility for printing errors.
© ROCKWOOL A/S 2022. All rights reserved. ® denotes a trademark that is registered in the United States of America.

072122

Rockfon

4849 S. Austin Ave.
Chicago, IL 60638 USA

Tel. +1-800-323-7164
cs@rockfon.com
www.rockfon.com

