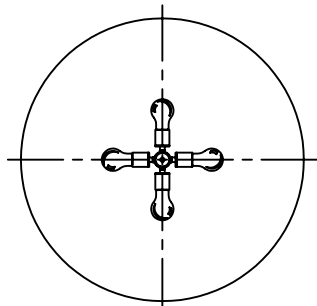
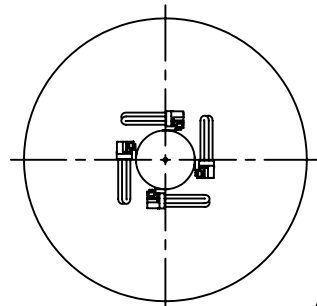


# THE ADAM D. TIHANY COLLECTION

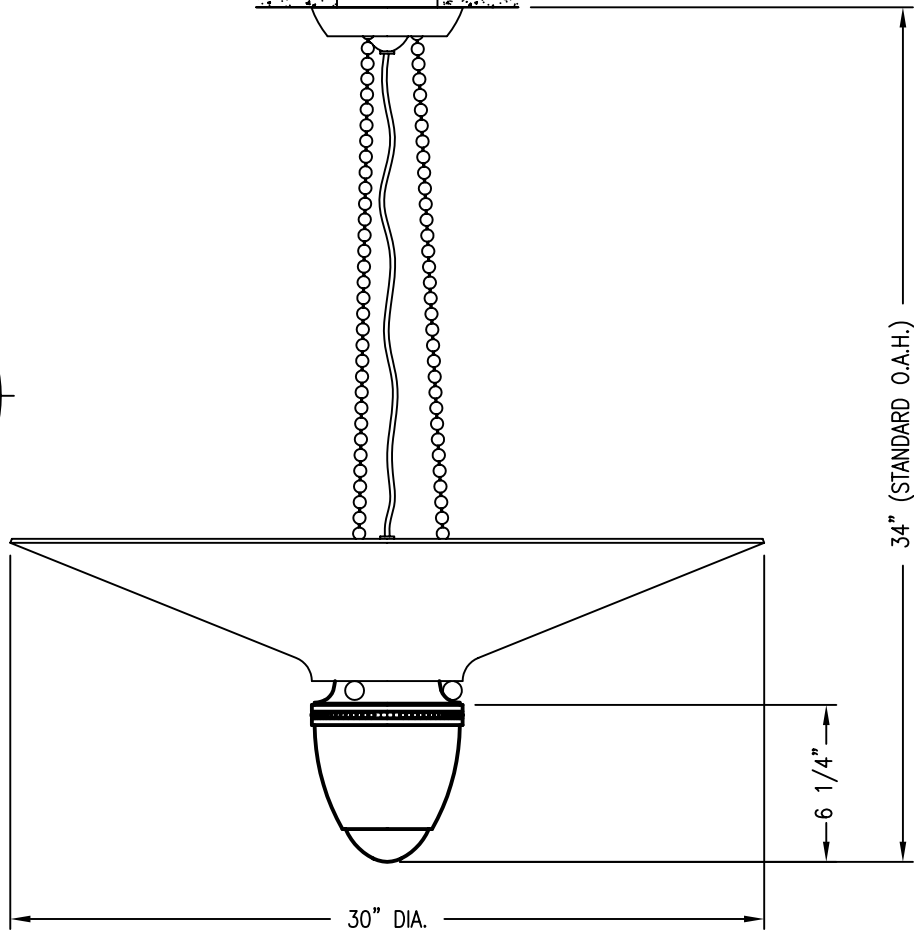


LAMP LAYOUT INC.



LAMP LAYOUT FLUO.

TO BE USED WITH 4" X 4" OCTAGONAL JUNCTION BOX WITH 3/8" IP FIXTURE STUD (BY OTHERS)



FRONT VIEW



© BALDINGER ARCHITECTURAL LIGHTING, INC.

FIXTURE WEIGHT: 12 LBS

PURCHASER: \_\_\_\_\_ DATE: \_\_\_\_\_

JOB NAME: \_\_\_\_\_ TYPE: \_\_\_\_\_ QUANTITY: \_\_\_\_\_

METAL FINISHES

- ANTIQUE BRASS
- SATIN BRASS
- SATIN NICKEL
- POLISHED NICKEL
- OTHER \_\_\_\_\_

DIFFUSERS

- BEIGE FAUX ALABASTER ON ACRYLIC
- WHITE FAUX ALABASTER ON ACRYLIC
- WHITE OPAL ACRYLIC
- OTHER \_\_\_\_\_

LAMPING

- (4) 60W A19 (120V only)
- (4) CFQ 18W (see below)
- OTHER \_\_\_\_\_

VOLTAGE

- 120V  277V  OTHER \_\_\_\_\_

# BALDINGER

BALDINGER ARCHITECTURAL LIGHTING INC  
19-02 STEINWAY STREET, ASTORIA, NEW YORK 11105  
TEL. (718) 204-5700 FAX. (718) 721-4986

SHAHAR  
AT30454/30