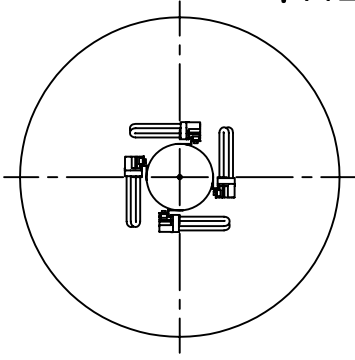
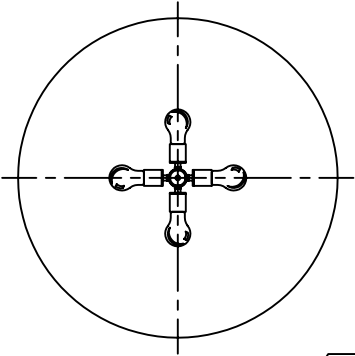


THE ADAM D. TIHANY COLLECTION

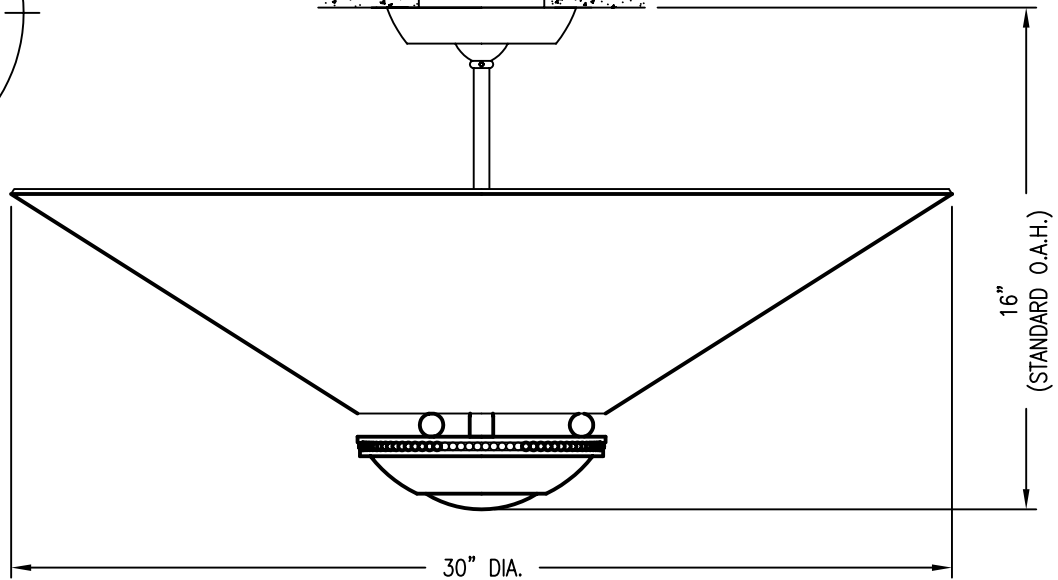


LAMP LAYOUT FLUO.



LAMP LAYOUT INC.

TO BE USED WITH 4" X 4" OCTAGONAL JUNCTION BOX WITH 3/8" IP FIXTURE STUD (BY OTHERS)



FRONT VIEW



© BALDINGER ARCHITECTURAL LIGHTING, INC.

FIXTURE WEIGHT: 12 LBS

PURCHASER: _____ DATE: _____

JOB NAME: _____ TYPE: _____ QUANTITY: _____

METAL FINISHES

- ANTIQUE BRASS
- SATIN BRASS
- SATIN NICKEL
- POLISHED NICKEL
- OTHER _____

DIFFUSERS

- BEIGE FAUX ALABASTER ON ACRYLIC
- WHITE FAUX ALABASTER ON ACRYLIC
- WHITE ACRYLIC
- OTHER _____

LAMPING

- (4) 60W A19 (120V only)
- (4) CFQ 18W (see below)
- OTHER _____

G24q-2 BASE, ELECTRONIC BALLAST

VOLTAGE

- 120V 277V OTHER _____
- H.P.F.

BALDINGER

BALDINGER ARCHITECTURAL LIGHTING INC
 19-02 STEINWAY STREET, ASTORIA, NEW YORK 11105
 TEL. (718) 204-5700 FAX. (718) 721-4986

TAL PENDANT
AT30458/30