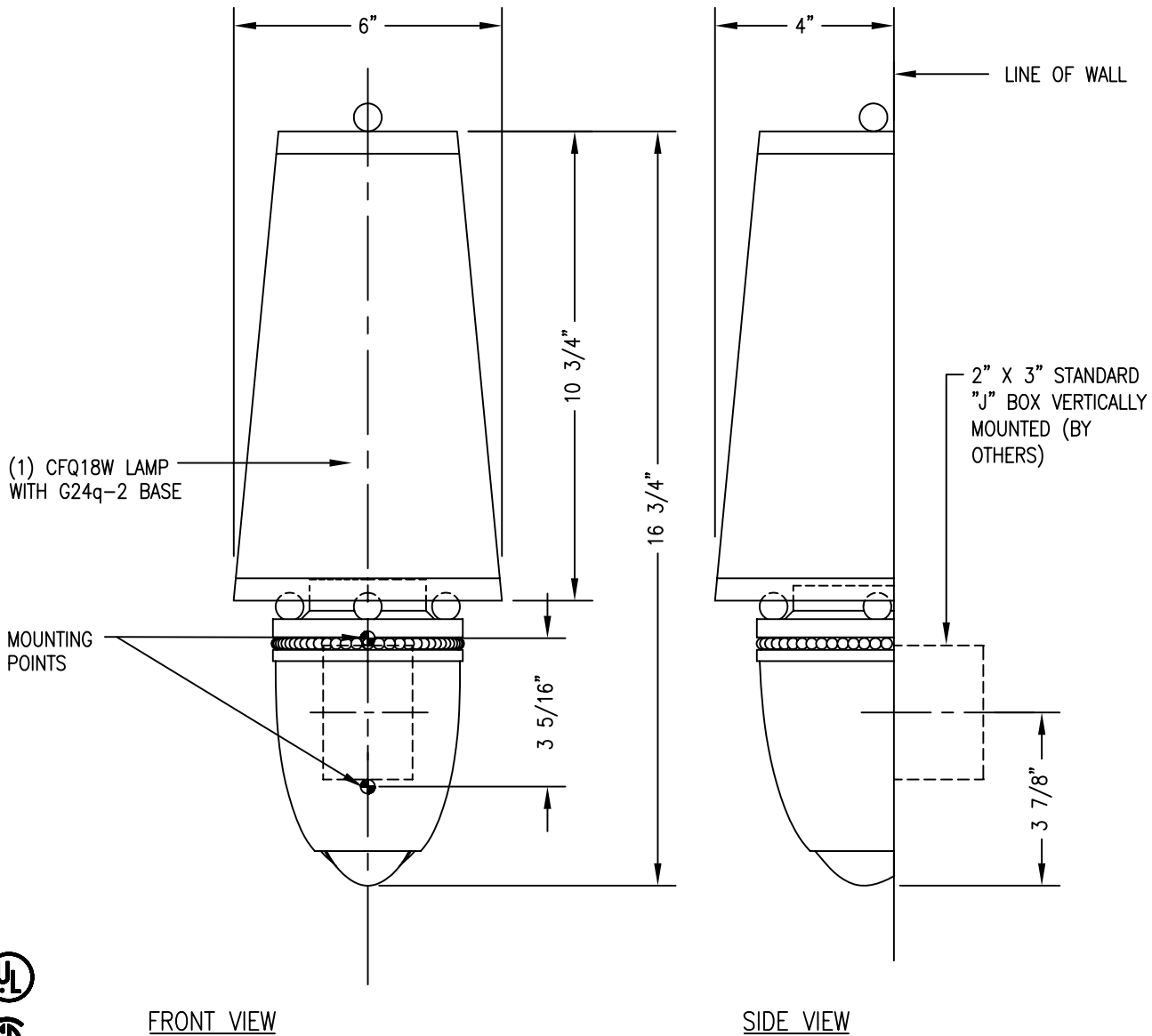


THE ADAM D. TIHANY COLLECTION



FRONT VIEW

SIDE VIEW

© BALDINGER ARCHITECTURAL LIGHTING, INC.

FIXTURE WEIGHT: 7 LBS

PURCHASER: _____ DATE: _____

JOB NAME: _____ TYPE: _____ QUANTITY: _____

METAL FINISHES

- ANTIQUE BRASS
- SATIN BRASS
- SATIN NICKEL
- POLISHED NICKEL
- OTHER _____

DIFFUSERS

- WHITE SHIRRED FABRIC
- IVORY SHIRRED FABRIC
- BEIGE PARCHMENT
- OYSTER PARCHMENT
- WHITE LINEN SHADE
- BEIGE LINEN SHADE
- OTHER _____

LAMPING

- 1 60W T10 (120V only)
 - (1) CFQ 18W (see below)
 - OTHER _____
- G24q-2 BASE, ELECTRONIC BALLAST

VOLTAGE

- 120V
- 277V
- OTHER _____
- H.P.F.

BALDINGER

BALDINGER ARCHITECTURAL LIGHTING INC
19-02 STEINWAY STREET, ASTORIA, NEW YORK 11105
TEL. (718) 204-5700 FAX. (718) 721-4986

BAZAK

AT28862