

Transfer Valve Installation Instructions

Recommended for model number 763-CP

**CHICAGO
FAUCETS**

a Geberit company

Notice to the Installer

- Read this entire instruction sheet before installing to ensure proper installation.
- Installation must comply with local codes and ordinances.

Pressurized plumbing fixtures shall be installed in accordance with manufacturer's recommendations. The supply piping to these devices shall be securely anchored to the building structure to prevent installed device from unnecessary movement when operated by the user. Care shall be exercised when installing the device to prevent marring the exposed surface.

NOTE: The information in this manual is subject to change without notice.

Please leave this manual with the facility manager after completing the valve installation. This document contains information necessary for routine maintenance and servicing.

Description

Chicago Faucets chrome plated transfer valve. Chrome plated metal lever handle and escutcheon with indicator markings. 1/2" NPT male or 1/2" copper sweat single inlet and three outlets.

Operation

The 763-CP (see Figure 1) is a three-position valve. Positioning the handle in the vertical, center position sends water to the shower head. To transfer water to the hand shower, rotate the handle 90 degrees clockwise or counter-clockwise, depending on the position of the hand shower. If the piping to the hand shower is connected to the right of the transfer valve, the left-hand outlet of the transfer valve must be capped and sealed to prevent water leakage. If connecting the hand shower to the left-hand side of the valve, be sure to cap the right-hand outlet. In either case, only one position on the valve will direct water to the hand shower; the other position may be used as a "pause" position for soaping or shampooing. Figure 2 illustrates the handle positions. Figure 4 shows the valve outlets, cap, and washer.

Installation

IMPORTANT NOTE

Use pipe sealant on all pipe threads. Use a wrench to tighten all pipe connections securely. If sweating supply connections to valve, excessive heat may cause damage to the control valve. Check all connections to the transfer valve to ensure they are leak-free before completing installation and closing the wall. All wall flanges should be sealed as necessary to prevent water from entering behind the flange and into the wall.

Proper Valve Orientation

When installing the valve, ensure that it is oriented with the water supply inlet at the bottom, as shown in Figure 3. To assist with proper orientation, an indicator is marked on the valve cartridge stem. When the valve is oriented properly, this indicator will be pointing directly upward.

Installing the Shower Valve Trim

1. Before installing the valve trim, be sure the final wall finish is completely installed. The wall surface should be level, clean, and dry.
2. Remove the trim sleeve from the trim pack and slide it over the valve unit, seating it flush to the valve (see Figure 4).
3. Remove the wall escutcheon from the trim pack and slide it over the trim sleeve. Rotate the escutcheon plate so that the text is upright, readable and positioned as shown in Figure 4.
4. Remove the handle and hex wrench from the trim pack. Note the location of the set screw hole. The set screw is installed in the handle at the factory. It may be necessary to loosen the set screw slightly to make sure the handle slides onto the cartridge stem completely (see Figure 5).

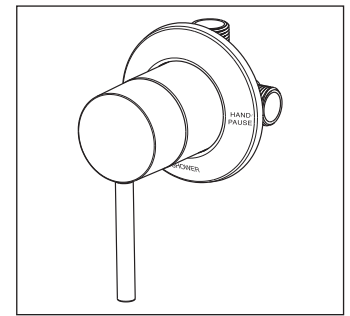


Figure 1

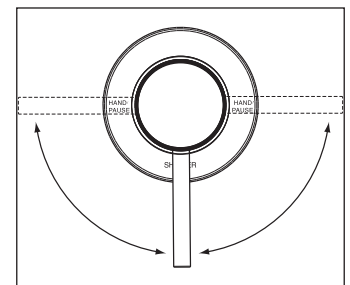


Figure 2

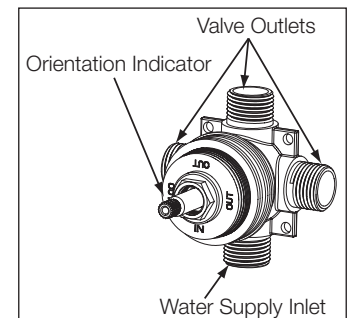


Figure 3

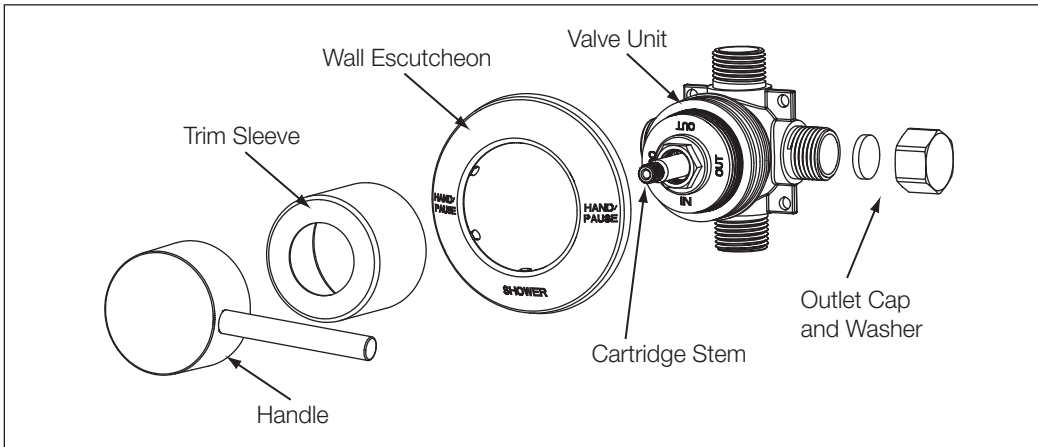


Figure 4

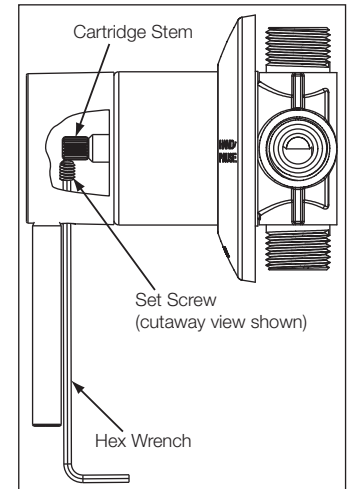


Figure 5

5. Slide the handle onto the cartridge stem. Make sure that the handle stem is pointing directly down and aligned with the word “SHOWER” on the wall escutcheon when assembled.
6. With the handle stem correctly oriented, insert the hex wrench into the handle cap hole and slowly tighten the set screw until it fully and securely engages onto the cartridge stem (see Figure 5).
7. The handle is designed to rotate at 90 degrees in a clockwise and counter-clockwise movement. Rotate the handle in the counter-clockwise direction to verify that the handle stops near the position of the “HAND/PAUSE” on the right of the escutcheon plate. Then rotate the handle in the clockwise direction to verify that the handle stops at the “HAND/PAUSE” location on the left of the escutcheon plate (see Figure 2).

Care and Maintenance

All Chicago Faucets fittings are designed and engineered to meet or exceed industry performance standards. Care should be taken when cleaning this product. Do not use abrasive cleaners, chemicals or solvents as they can result in surface damage. Use mild soap with warm water for cleaning and protecting the surface of Chicago Faucets fittings.

For additional technical assistance, call 800/TEC-TRUE (800-832-8783) or visit our website at chicagofaucets.com.

CHICAGO FAUCETS LIMITED WARRANTY

TO WHOM DOES THIS WARRANTY APPLY? — The Company extends the following limited warranty to the original user only.

WHAT DOES THIS WARRANTY COVER AND HOW LONG DOES IT LAST? This warranty covers the following Commercial Products: SH-PB Shower Fittings.

LIFETIME FAUCET WARRANTY — The “Faucet,” defined as any metal cast, forged, stamped or formed portion of the Product, not including electronic or moving parts or other products separately covered by this Limited Warranty or water restricting components or other components, is warranted against material manufacturing defects for the life of the Product.

FIVE YEAR FAUCET WARRANTY — Certain Products and portions of the Product are warranted against material manufacturing defects for a period of five (5) years from the date of Product purchase. Products warranted against material manufacturing defects for a period of five (5) years from the date of Product purchase are referred to by the product numbers 42X, 43X, 15XX and E-Tronic™ - 4X, 5X, 6X, 7X, 8X and 9X. All zinc die cast portions of Product are warranted against material manufacturing defects for a period of five (5) years from the date of Product purchase.

THREE YEAR ELECTRONICS WARRANTY — Electronic components, including the solenoid, are warranted for three (3) years from the date of installation.

FIVE YEAR CARTRIDGE WARRANTY — The “Cartridge”, defined as the metal portion of any Product typically referred to by the product numbers containing 1-099, 1-100, 1-310, 377X, 217X and 274X, excluding any rubber or plastic components, is warranted against material manufacturing defects for a period of five (5) years from the date of Product purchase. All Cartridges included in the Company’s Single Control or Shower Products also are warranted against material manufacturing defects for a period of five (5) years from the date of Product purchase.

ONE YEAR FINISH WARRANTY – COMMERCIAL — For Products used in commercial applications, the finish of the Product is warranted against material manufacturing defects for a period of one (1) year from the date of Product purchase.

OTHER WARRANTIES — All other Products not covered above are warranted against material manufacturing defects for a period of one (1) year from the date of Product purchase.

Other restrictions and limitations apply. For complete warranty details, call Chicago Faucets Customer Service at 847-803-5000 or visit chicagofaucets.com.

The Chicago Faucet Company
 2100 South Clearwater Drive
 Des Plaines, IL 60018
 Phone: 847/803-5000
 Fax: 847/803-5454
 Technical: 800/832-8783
www.chicagofaucets.com