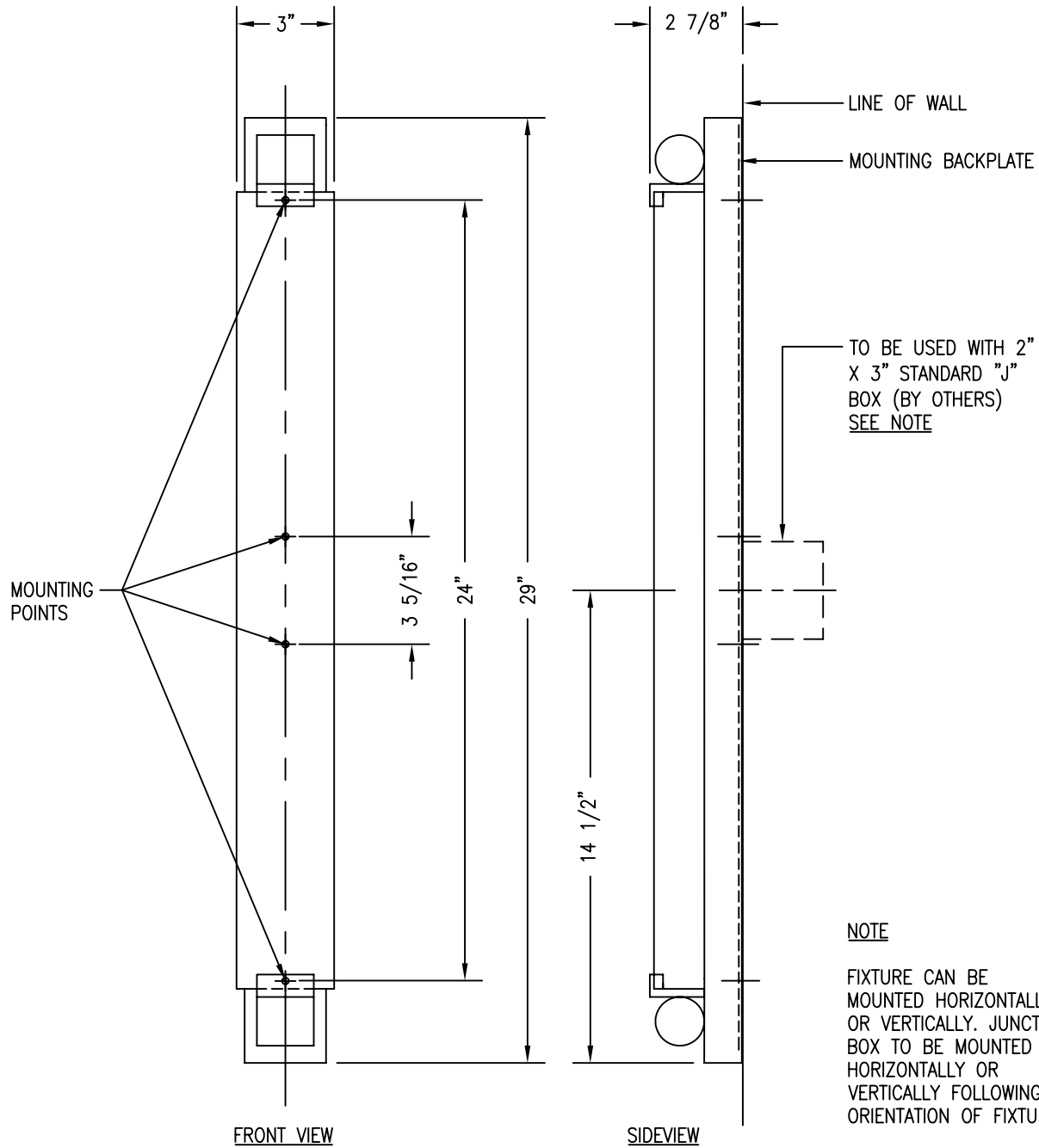


# CLASSIC COLLECTION



**NOTE**

FIXTURE CAN BE MOUNTED HORIZONTALLY OR VERTICALLY. JUNCTION BOX TO BE MOUNTED HORIZONTALLY OR VERTICALLY FOLLOWING ORIENTATION OF FIXTURE.



© BALDINGER ARCHITECTURAL LIGHTING, INC.

FIXTURE WEIGHT: 7 LBS

PURCHASER: \_\_\_\_\_ DATE: \_\_\_\_\_

JOB NAME: \_\_\_\_\_ TYPE: \_\_\_\_\_ QUANTITY: \_\_\_\_\_

**METAL FINISHES**

- PAINTED WHITE GLOSS
- PAINTED SILVER
- PAINTED GOLD
- OTHER \_\_\_\_\_

**DIFFUSERS**

- WHITE OPAL ACRYLIC
- OTHER \_\_\_\_\_

**LAMPING**

- (1) FT17W T8 (see below)
- OTHER \_\_\_\_\_

MEDIUM BI-PIN BASE, ELECTRONIC BALLAST

**VOLTAGE**

- 120V  277V  OTHER \_\_\_\_\_
- H.P.F.

# BALDINGER

BALDINGER ARCHITECTURAL LIGHTING INC  
 19-02 STEINWAY STREET, ASTORIA, NEW YORK 11105  
 TEL. (718) 204-5700 FAX. (718) 721-4986

**LE SAX**  
**CC 29458**