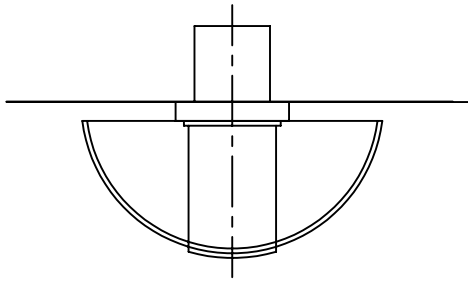
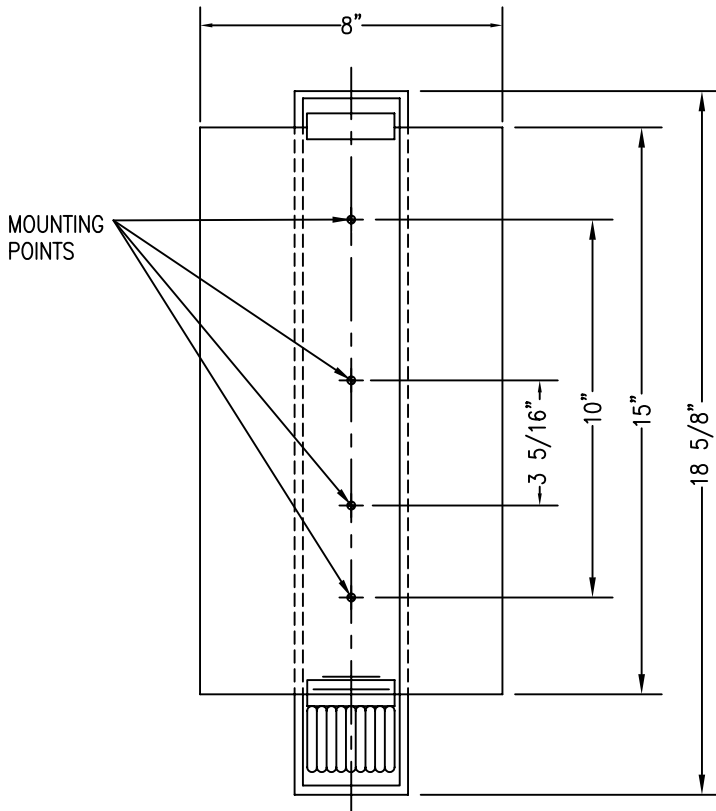


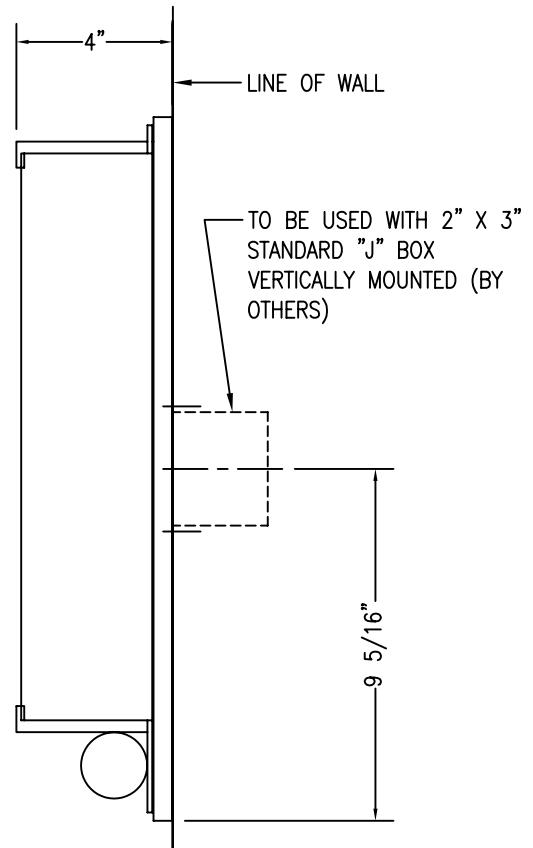
CLASSIC COLLECTION



TOP VIEW



FRONT VIEW



SIDE VIEW



© BALDINGER ARCHITECTURAL LIGHTING, INC.

FIXTURE WEIGHT: 8 LBS

PURCHASER: _____ DATE: _____

JOB NAME: _____ TYPE: _____ QUANTITY: _____

METAL FINISHES

- POLISHED BRASS
- SATIN BRASS
- ANTIQUE BRASS
- POLISHED NICKEL
- SATIN NICKEL
- OTHER _____

DIFFUSERS

- WHITE OPAL GLASS
- WHITE OPAL ACRYLIC
- CLEAR ACRYLIC W/ WHITE TINT, CLEAR BORDER
- CLEAR ACRYLIC W/ BEIGE TINT, CLEAR BORDER
- OTHER _____

LAMPING

- (1) 75W T10 (120V only)
- (1) FT24W, BIAx (see below)
- OTHER _____

VOLTAGE

- 120V 277V OTHER _____

BALDINGER

BALDINGER ARCHITECTURAL LIGHTING INC
 19-02 STEINWAY STREET, ASTORIA, NEW YORK 11105
 TEL. (718) 204-5700 FAX. (718) 721-4986

LE BOIS

CC-29270