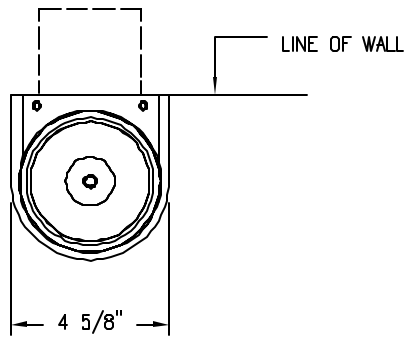
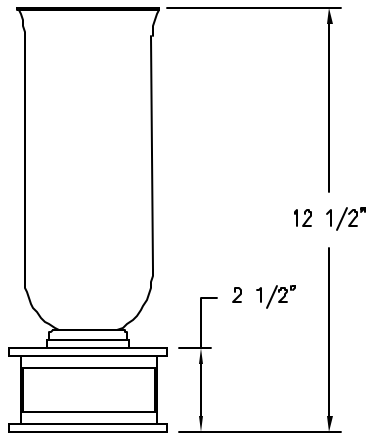


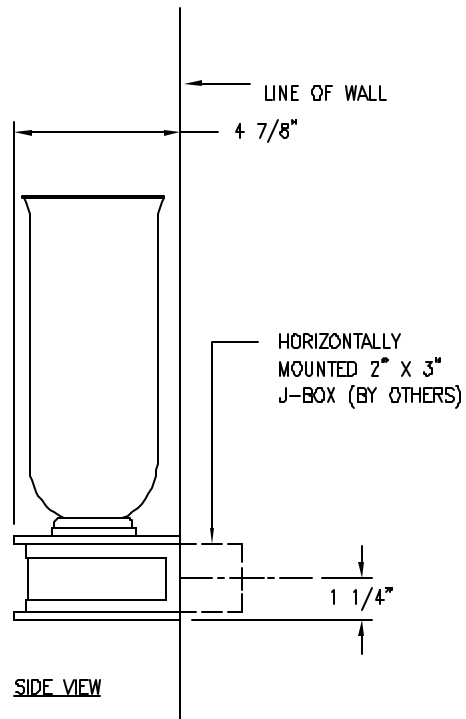
THE LIBRARY COLLECTION



TOP VIEW



FRONT VIEW



SIDE VIEW



© BALDINGER ARCHITECTURAL LIGHTING, INC.
PATENT PENDING

FIXTURE WEIGHT: 6 LBS

PURCHASER: _____ DATE: **06/22/04**

JOB NAME: _____ TYPE: _____ QUANTITY: _____

METAL FINISHES

- ANTIQUE BRASS
- SATIN NICKEL
- POLISHED NICKEL
- OTHER _____

DIFFUSERS

- WHITE CASÉD GLASS
- CLEAR FROSTED GLASS
- OTHER _____

LAMPING

- (1) 60W BT-15, MED. BASE (120V only)
- (1) 60W A-60 E27 BASE -
- (1) 13W CFQ (see below)
- (1) 18W CFQ (see below)
- OTHER _____

ELECTRONIC BALLAST

VOLTAGE

- 120V
- 277V
- OTHER _____

BALDINGER

BALDINGER ARCHITECTURAL LIGHTING INC
19-02 STEINWAY STREET, ASTORIA, NEW YORK 11105
TEL. (718) 204-5700 FAX. (718) 21-4986

COLUMBUS
RS31459