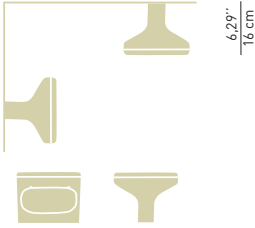


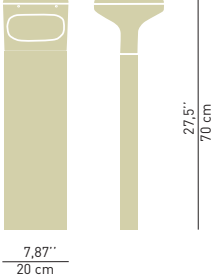
ceiling/wall



D63a.fluo

26W
CFTR
GX24q-3

floor

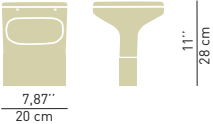


D63t2.fluo **D63t2.sol**

26W
CFTR
GX24q-3

8 LED
High
Efficiency

floor



D63t1.fluo **D63t1.sol**

26W
CFTR
GX24q-3

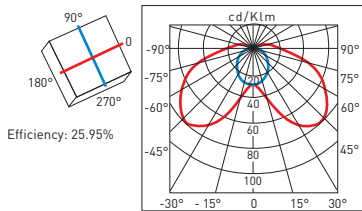
8LED
High
Efficiency

dimensions		lamps	
height 6,29", width 7,87" total height 11" and 27,5" (with vertical supports)		26W compact fluorescent, white light LED with photovoltaic cells	
materials		structure finishes	
body and cover in die cast aluminum, transparent cover for solar version polycarbonate diffuser		painted white, alu or chestnut	

photometric data

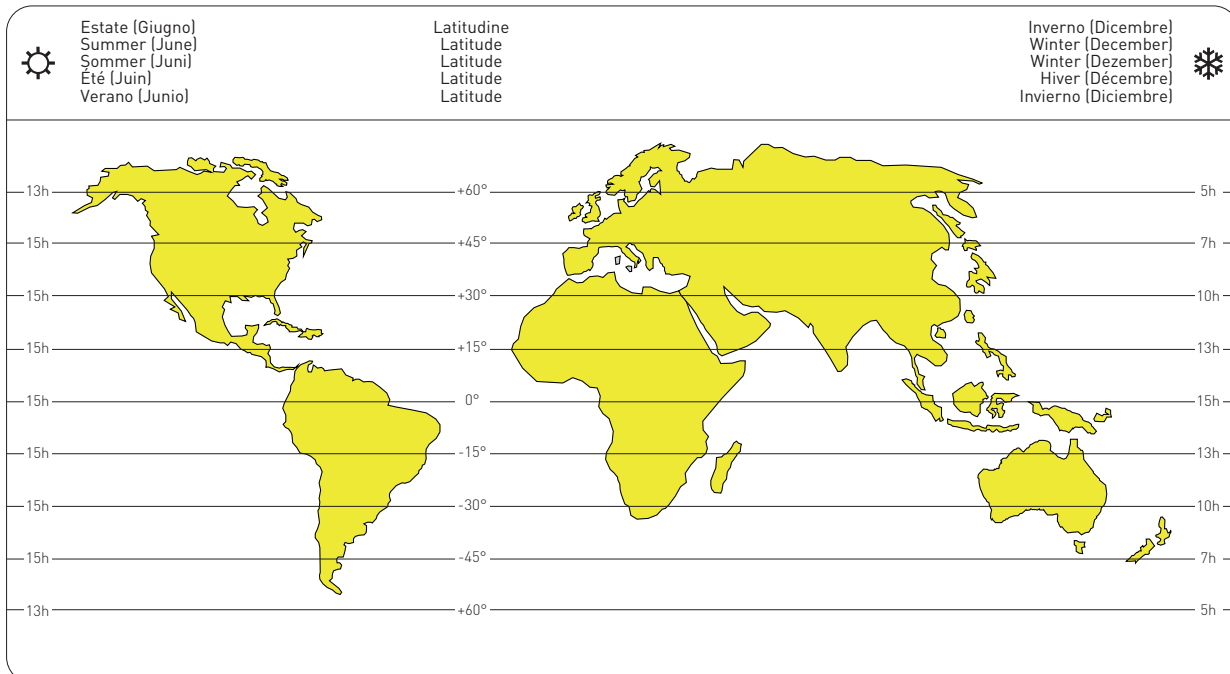
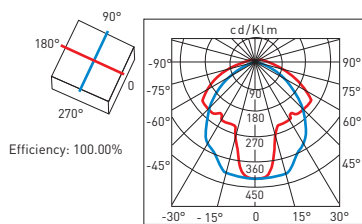
D63.fluo

Flux: 1800.00
Maximum 79.10



D63.sol

Flux: 20.00
Maximum 412.77



Hours of operation with LEDs illuminated at maximum output, after a day of exposure in full sun.
 Values shown may vary according to the position of the product, to the weather conditions and to the battery's efficiency status.

Operating temperature: -10°C ÷ +50°C.
 Operating humidity: 0% ÷ 100%.