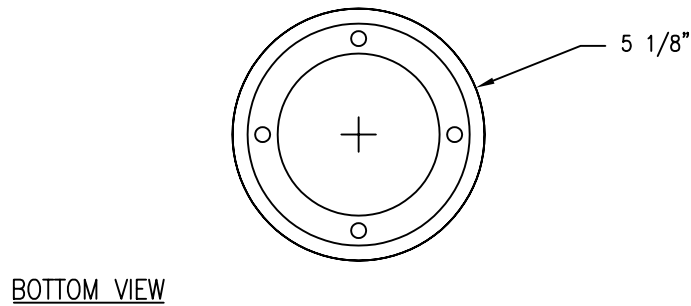
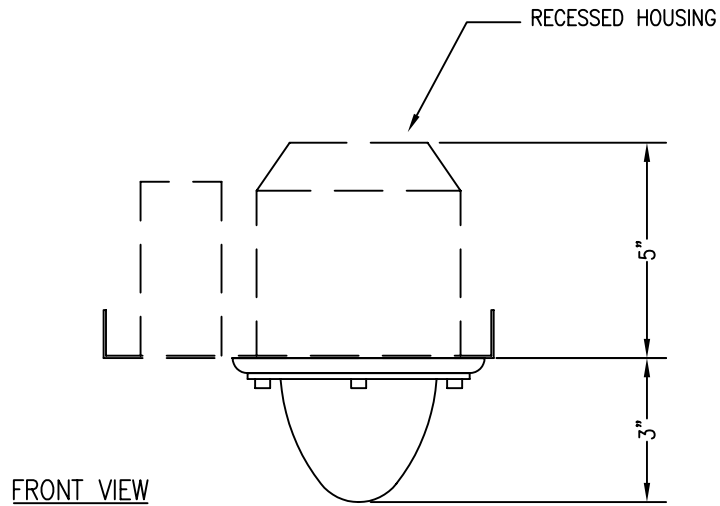


# THE MICHAEL GRAVES COLLECTION



© BALDINGER ARCHITECTURAL LIGHTING, INC.

FIXTURE WEIGHT: 5 LBS

PURCHASER: \_\_\_\_\_ DATE: \_\_\_\_\_

JOB NAME: \_\_\_\_\_ TYPE: \_\_\_\_\_ QUANTITY: \_\_\_\_\_

METAL FINISHES

- ANTIQUE BRASS
- POLISHED BRASS
- SATIN BRASS
- POLISHED CHROME
- SATIN CHROME
- POLISHED NICKEL
- SATIN NICKEL
- PAINTED VERDE GREEN
- PAINTED ETRUSCAN BRONZE
- OTHER \_\_\_\_\_

DIFFUSERS

- WHITE OPAL GLASS
- IRREDESCECENT BUBBLY GLASS
- OTHER \_\_\_\_\_

LAMPING

- (1) 60W A19 (120V only)
- OTHER \_\_\_\_\_

MEDIUM BASE

VOLTAGE

- 120V
- OTHER \_\_\_\_\_

## BALDINGER

BALDINGER ARCHITECTURAL LIGHTING INC  
 19-02 STEINWAY STREET, ASTORIA, NEW YORK 11105  
 TEL. (718) 204-5700 FAX. (718) 721-4986

STOCKTON  
 MG 2808I