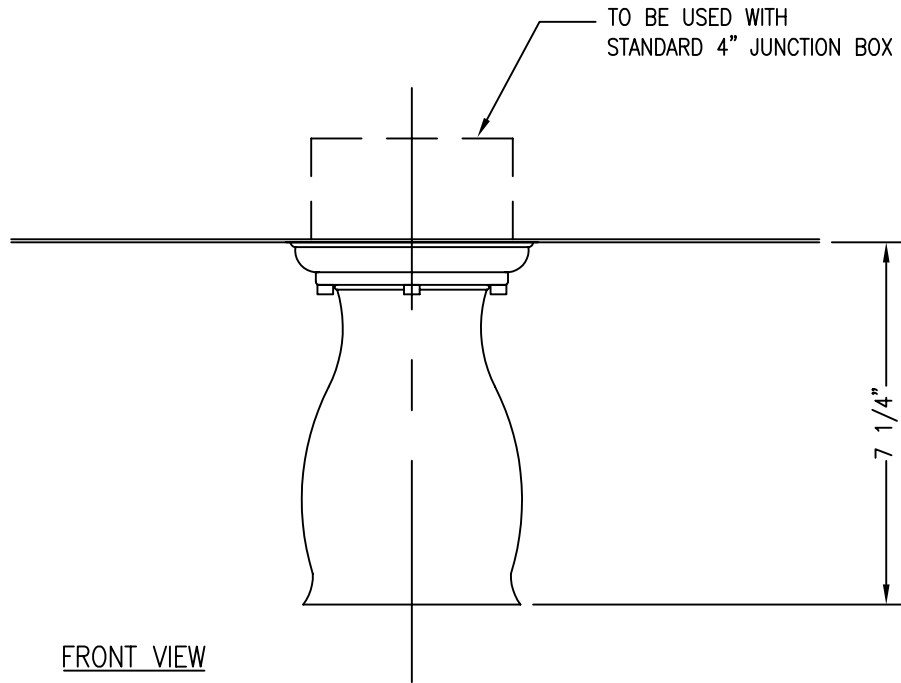
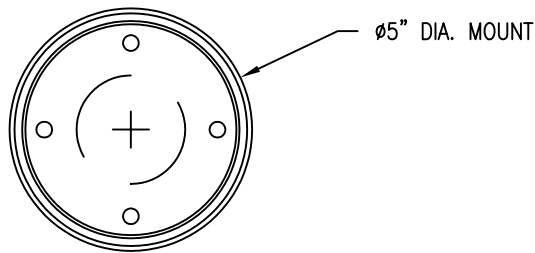


THE MICHAEL GRAVES COLLECTION



FRONT VIEW



BOTTOM VIEW



© BALDINGER ARCHITECTURAL LIGHTING, INC.

FIXTURE WEIGHT: 2 LBS

PURCHASER: _____ DATE: 02/21/05

JOB NAME: _____ TYPE: _____ QUANTITY: _____

METAL FINISHES

- ANTIQUE BRASS
- POLISHED BRASS
- SATIN BRASS
- POLISHED CHROME
- SATIN CHROME
- POLISHED NICKEL
- SATIN NICKEL
- PAINTED VERDE GREEN
- PAINTED ETRUSCAN BRONZE
- OTHER _____

DIFFUSERS

- FLASHED OPAL GLASS
- IRREDESCECENT BUBBLY GLASS
- OTHER _____

LAMPING

- (1) 60W A19 (120V only)
- OTHER _____

MEDIUM BASE

VOLTAGE

- 120V 277V OTHER _____

BALDINGER

BALDINGER ARCHITECTURAL LIGHTING INC
 19-02 STEINWAY STREET, ASTORIA, NEW YORK 11105
 TEL. (718) 204-5700 FAX. (718) 721-4986

MERCER
MG 28093