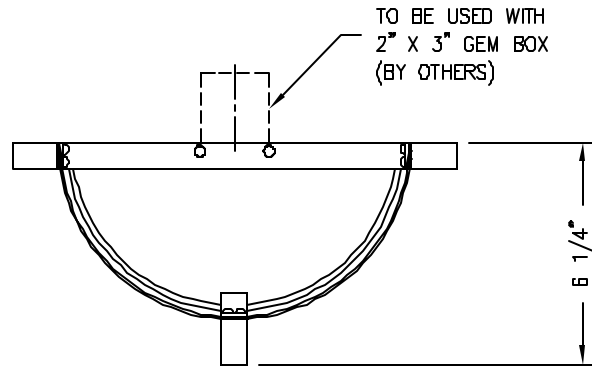
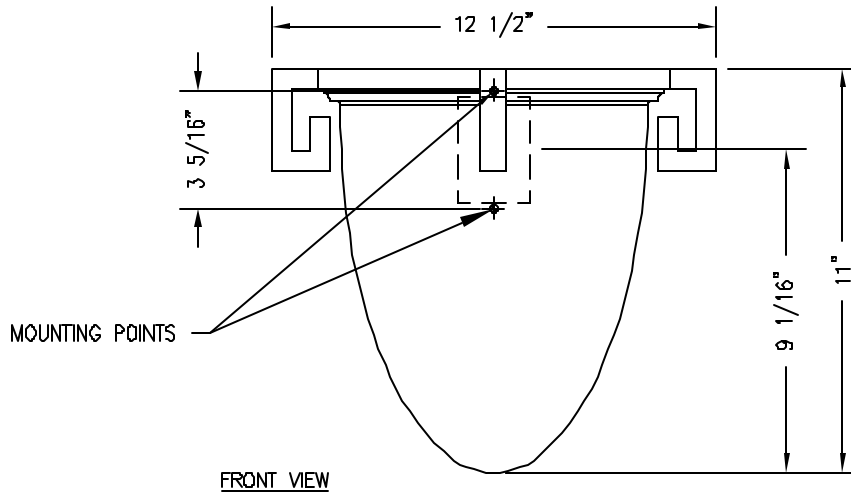


# THE POST MODERN COLLECTION



TOP VIEW



FRONT VIEW



© BALDINGER ARCHITECTURAL LIGHTING, INC.

FIXTURE WEIGHT: 12 LBS

PURCHASER: \_\_\_\_\_ DATE: \_\_\_\_\_

JOB NAME: \_\_\_\_\_ TYPE: \_\_\_\_\_ QUANTITY: \_\_\_\_\_

**METAL FINISHES**

- ANTIQUE BRASS
- POLISHED BRASS
- SATIN BRASS
- POLISHED CHROME
- SATIN CHROME
- POLISHED NICKEL
- SATIN NICKEL
- OTHER \_\_\_\_\_

**DIFFUSERS**

- WHITE FAUX ALABASTER
- BEIGE FAUX ALABASTER
- WHITE ACRYLIC FROSTED
- CLEAR ACRYLIC FROSTED
- WHITE ALABASTER
- BEIGE ALABASTER
- OTHER \_\_\_\_\_

**LAMPING**

- (1) 40W T10 (120V only)
- (1) 13W CFQ (see below)
- OTHER \_\_\_\_\_

**VOLTAGE**

- 120V
- 277V
- OTHER \_\_\_\_\_

# BALDINGER

BALDINGER ARCHITECTURAL LIGHTING INC  
 19-02 STEINWAY STREET, ASTORIA, NEW YORK 11105  
 TEL: (718) 204-5700 FAX: (718) 721-4986

**GREEK KEY**  
**RS28267/WB12**

Rev date: