

## Features

- Touchless on/off with a wave of your hand or an object such as a pan
- Response® technology uses a state-of-the-art motion sensor for reliable touchless activation
- LED light indicates Response® is ready to use
- AC-powered operation—no batteries to replace
- Voice control allows hands-free activation to turn the faucet on or off, pour specific amounts and fill preset measurements.\*
- KOHLER Konnect® pairs with Amazon Alexa, Google Home and Apple Home Kit.\*\*
- Innovative sensor monitors water usage and displays that information on the KOHLER Konnect® app
- Notification can be sent to your mobile device when unusual flow of water is detected.\*\*\*
- 2.4 GHz password-protected Wi-Fi connection is required
- Three-function pull-down sprayhead with touch control allows you to switch between aerated stream, ring spray and Boost technology
- Boost technology increases the flow rate by 30% with the press of a button. Use Boost with stream for faster filling or with ring spray for more powerful cleaning
- DockNetik® secure docking system locks sprayhead into place when not in use
- ProMotion® technology's light, quiet braided hose and swiveling ball joint make the pull-down sprayhead easier and more comfortable to use
- MasterClean™ sprayface features an easy-to-clean surface that withstands mineral buildup and maximizes spray performance
- High-arch spout offers vertical clearance for tall cookware and pitchers
- Single lever handle makes adjusting water temperature easy.
- Temperature memory allows faucet to be turned on and off at the temperature set during prior usage
- KOHLER® ceramic disc valves exceed industry longevity standards for a lifetime of durable performance
- 1.5 gpm (5.7 lpm) maximum flow rate at 60 psi (4.14 bar)

## Material

- Premium metal construction for durability and reliability
- KOHLER® finishes resist corrosion and tarnishing

## Installation

- Requires nonswitched undercounter outlet
- Single-hole or three-hole installation (escutcheon plate



ADA CSA B651

## Codes/Standards

ASME A112.18.1/CSA B125.1  
 NSF/ANSI/CAN 61  
 NSF/ANSI/CAN 372  
 All applicable US Federal and State material regulations  
 DOE - Energy Policy Act 1992  
 California Energy Commission (CEC)  
 ADA  
 ICC/ANSI A117.1  
 CSA B651  
 IAPMO Certification

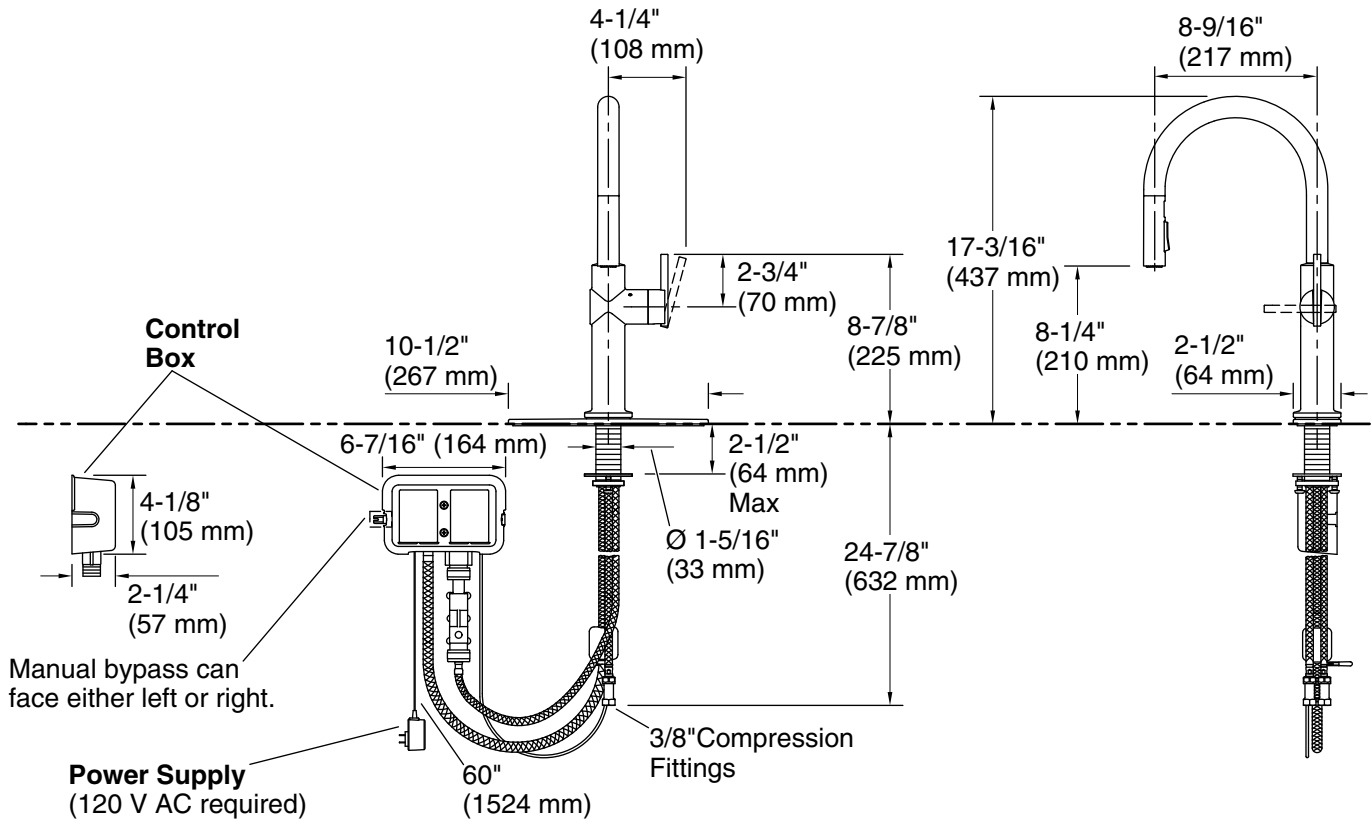
## KOHLER® Electronic Faucets, Valves, and Controls Five-Year Limited Warranty KOHLER® Faucet Lifetime Limited Warranty

See website for detailed warranty information.

## Available Colors/Finishes

*Color tiles intended for reference only.*

Color	Code	Description
	CP	Polished Chrome
	VS	Vibrant® Stainless
	BL	Matte Black
	2MB	Vibrant® Brushed Moderne Brass



### Required Electrical Service

One dedicated circuit required, protected with Class A Ground-Fault Circuit-Interrupter (GFCI). Outside North America, this device may be known as a Residual Current Device (RCD).

120 V, 0.15 A, 50/60 Hz

### Technical Information

All product dimensions are nominal.

Power source: Plug - AC, included

Drain included: No

### Spout:

Spout reach: 8-9/16" (217 mm)

### Notes

Install this product according to the installation instructions.

ADA complaint for faucet handles only.

ADA, CSA B651 compliant when installed to the specific requirements of these regulations.