



Bachata®
20" oval drop-in/undermount bathroom sink
K-2609-MU

Features

- Oval basin
- Unique overflow drain
- No faucet holes; requires wall- or counter-mount faucet
- Fits standard 14" x 17" (356 x 432 mm) countertop cutout

Material

- Premium 20-gauge stainless steel

Installation

- Drop-in or undermount

Required Products/Accessories

K-7114-A Pop-Up Drain

or

K-7126 Standard pop-up drain, non-exposed, with lift rod

or

K-7127-A Drain

or

K-7129-A Drain

or

K-7131-A Offset Drain

Recommended Products/Accessories

K-8998 P-Trap

K-23726 Drain treatment

K-23729 Stainless steel cleaner

Included Components

91915 Hardware Kit



ADA

CSA B651

Codes/Standards

ASME A112.19.3/CSA B45.4

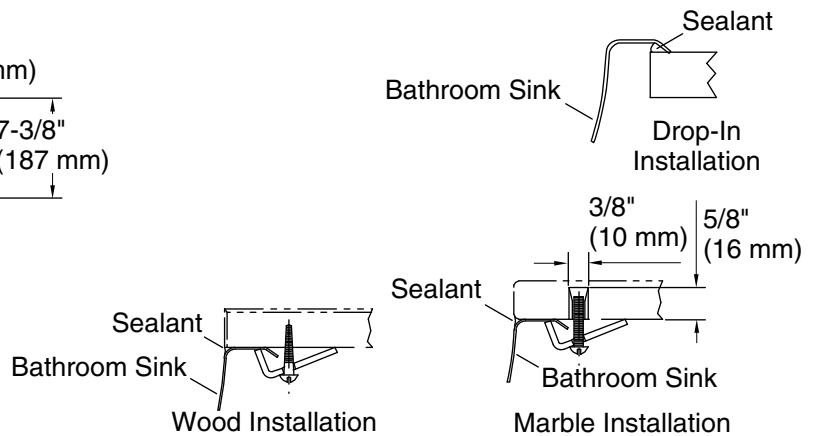
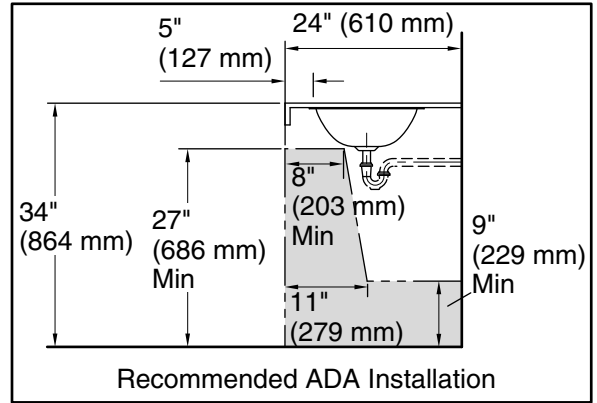
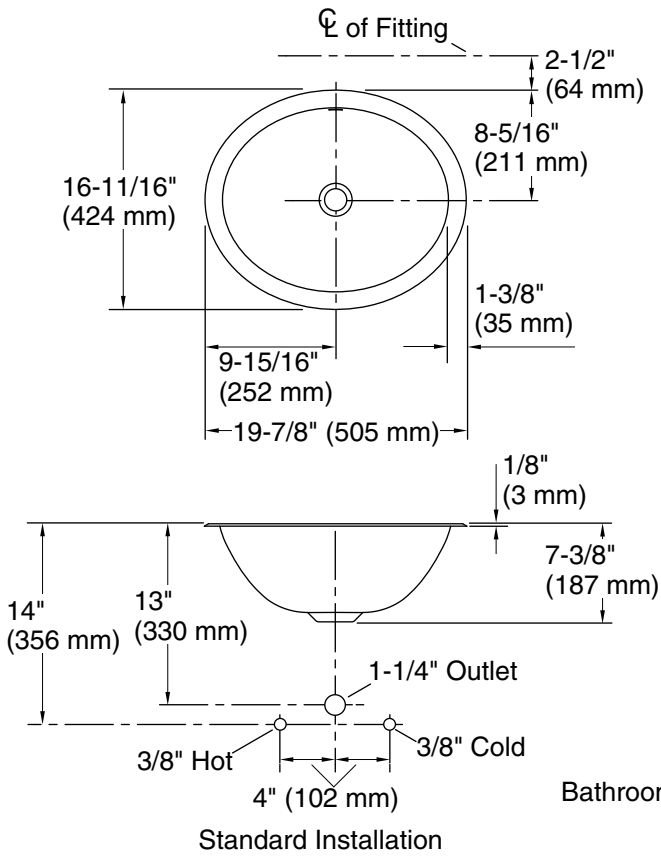
ADA

ICC/ANSI A117.1

CSA B651

**KOHLER® One-Year Limited
Warranty**

See website for detailed warranty information.



Technical Information

All product dimensions are nominal.

Bowl area:	Length: 17-3/8" (441 mm)
	Width: 14" (356 mm)
	Water depth: 4-1/16" (103 mm)
With overflow:	Yes
Drain hole:	1-5/8" (41 mm)
Template:	1248333-7, required, included

Notes

Install this product according to the installation instructions.

Installer must supply anchors based on countertop material and thickness.

ADA, CSA B651 compliant when installed to the specific requirements of these regulations.