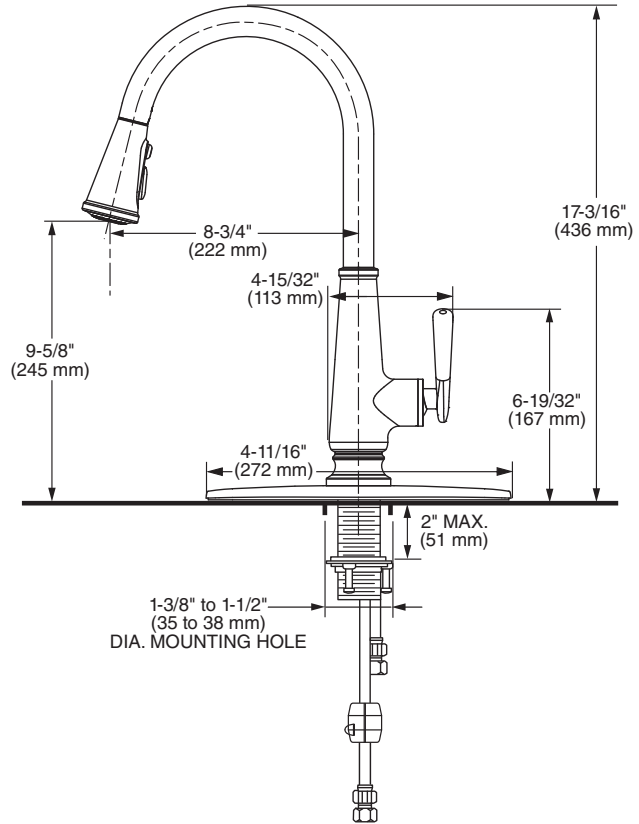


MODEL NUMBER:

□ **7438301 Pull-Down Faucet with Soap Dispenser**



GENERAL DESCRIPTION:

Metal body and handle with metal swivel spout. Pull-Down spray head with adjustable stream, spray and pause pattern. Nylon braided pull out hose complete with two integral check valves. Washerless 28 mm ceramic disc valve cartridge. 35" Flexible, color coded braided nylon supply hoses with 3/8" compression connections. Mounting shank with brass fixation ring. 1.8 GPM/6.8 L/min. maximum flow rate. Faucet can be mounted with or without optional metal deck plate.

PRODUCT FEATURES:

- Ceramic Disc Valve Cartridge:** Assures a lifetime of smooth handle operation and drip-free performance.
- Metal Construction:** Quality materials for durability & long life.
- Memory Position Valving:** Allows user to turn valve on and off at preferred temperature setting without readjusting handle position each time.
- Lead Free:** Faucet contains ≤ 0.25% total lead content by weighted average.
- Pull-down Spray:** Retrax and speed connect pull down hose offers an adjustable stream, spray and pause pattern.
- Integral Check Valves:** Prevents back flow.
- Choice of Finishes:** Choice of Stainless Steel, Matte Black or Brushed Gold.



ADA COMPLIANT

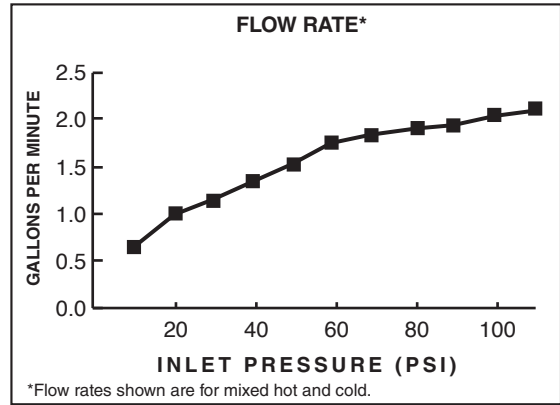
SUGGESTED SPECIFICATION

Dual control kitchen faucet shall feature a metal body with pull-down spray. Shall also feature washerless ceramic disc valve cartridge, flexible stainless steel supply hoses and two integral check valves. Fitting shall be American Standard Model # 7438301.____.

CODES AND STANDARDS

These products meet or exceed the following codes and standards:

- ANSI A117.1**
- ASME A112.18.1**
- CSA B125.1**
- NSF/ANSI/CAN 61: Q₁**
- NSF/ANSI/CAN 372**



Product Number	Description	Finish Options		
		PVD Stainless Steel	Matte Black	Brushed Gold
		075	243	GNO
7438301	Pull-Down Kitchen Faucet			

 Meets the American Disabilities Act Guidelines and **ANSI A117.1** Requirements for the physically challenged.