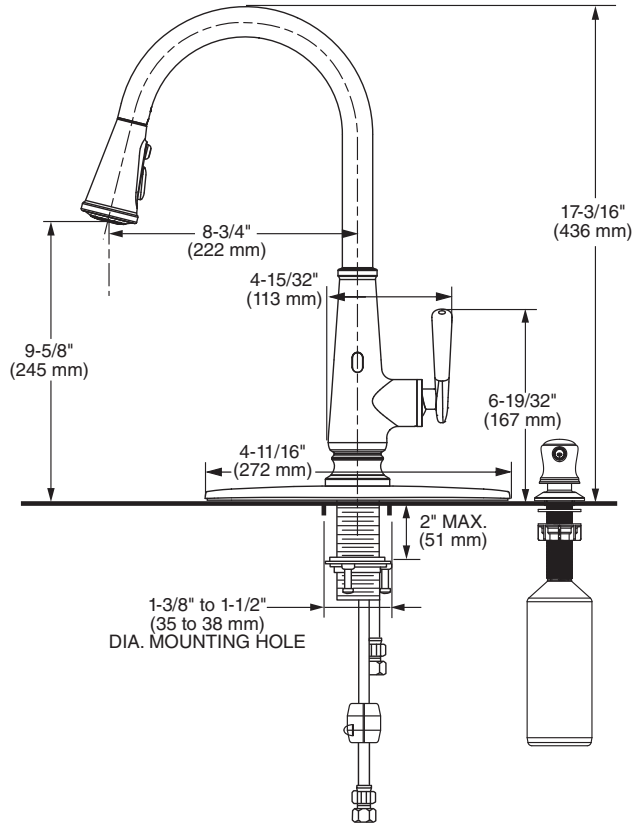


MODEL NUMBER:

- **7438381 Touchless Pull-Down Faucet with Soap Dispenser**



GENERAL DESCRIPTION:

Single control kitchen faucet featuring Selectronic hands free sensor. Ships with 4x AA alkaline batteries with optional AC adapter available for separate purchase. Features brass swivel spout and two function spray head with pause. 28 mm ceramic disc valve cartridge, metal body and ADA metal lever handle. Includes 35" integrated color coded braided supply hoses with 3/8" compression connections. Durable braided nylon spray hose is complete with two integral check valves. Maximum flow rate is 1.8 gpm / 6 L/ min. Metal mounting shank with brass fixation ring. Fitting can be mounted with or without escutcheon plate. Includes color-matched soap dispenser.

PRODUCT FEATURES:

- Selectronic® Hands-Free:** Sensor allows users to operate without touching faucet.
- Re-Trax™ spray head retraction system:** Spray hose technology system to ensure smooth pull-out, operation, and retraction of spray head.
- Ceramic Disc Valve Cartridge:** Precise temperature and flow control with a lifetime of drip-free, maintenance-free performance.
- Lead Free:** Faucet contains ≤ 0.25% total lead content by weighted average.
- Integral Check Valves:** Prevents back flow.
- Choice of Finishes:** Choice of Stainless Steel, Matte Black or Brushed Gold.



ADA COMPLIANT

LEAD FREE

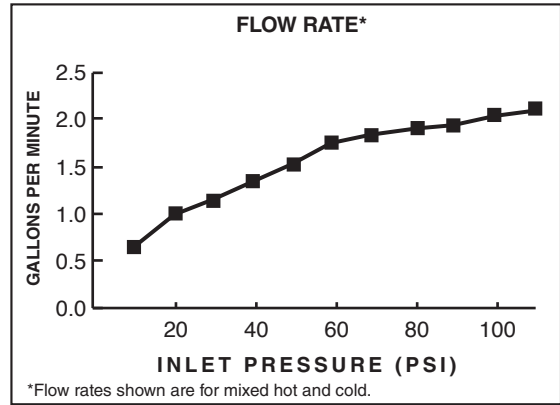
SUGGESTED SPECIFICATION

Dual control kitchen pull-down faucet shall feature a hands-free Selectronic sensor. Shall also feature washerless ceramic disc valve cartridge, flexible stainless steel supply hoses and two integral check valves. Fitting shall be American Standard Model # 7438381.____.

CODES AND STANDARDS

These products meet or exceed the following codes and standards:

- ANSI A117.1**
- ASME A112.18.1**
- CSA B125.1**
- NSF/ANSI/CAN 61: Q₁**
- NSF/ANSI/CAN 372**



Product Number	Description	Finish Options		
		Stainless Steel	Matte Black	Brushed Gold
		075	243	GNO
7438381	Touchless Pull-Down Kitchen Faucet			

 Meets the American Disabilities Act Guidelines and **ANSI A117.1** Requirements for the physically challenged.