



Brazn®
One-piece compact elongated toilet with skirted trapway, dual-flush
K-22378

Features

- One-piece toilets integrate the tank and bowl into a seamless, easy-to-clean design
- Compact elongated bowl offers added comfort while occupying the same space as a round-front bowl
- Standard height
- Dual flush offers a choice of 0.8 or 1.28 gpf (3.0 or 4.8 lpf)
- Left-hand Polished Chrome trip lever
- 2-1/8" (54 mm) glazed trapway
- Fully skirted trapway simplifies cleaning
- Quiet-Close™ elongated lid and seat prevents slamming
- Coordinates with other products in the Brazn collection



Installation

- Standard 12" (305 mm) rough-in
- Supply line sold separately
- Requires mounting plate 1362736 for heated seat installation

Recommended Products/Accessories

- 1265114 Connector Hose
- 1023457 Wax Ring/Hardware Kit



Codes/Standards

- ASME A112.19.2/CSA B45.1
- ASME A112.19.14
- DOE - Energy Policy Act 1992
- EPA WaterSense®
- California Energy Commission (CEC)
- IAPMO Certification

KOHLER® Toilets and Seats Limited Warranty

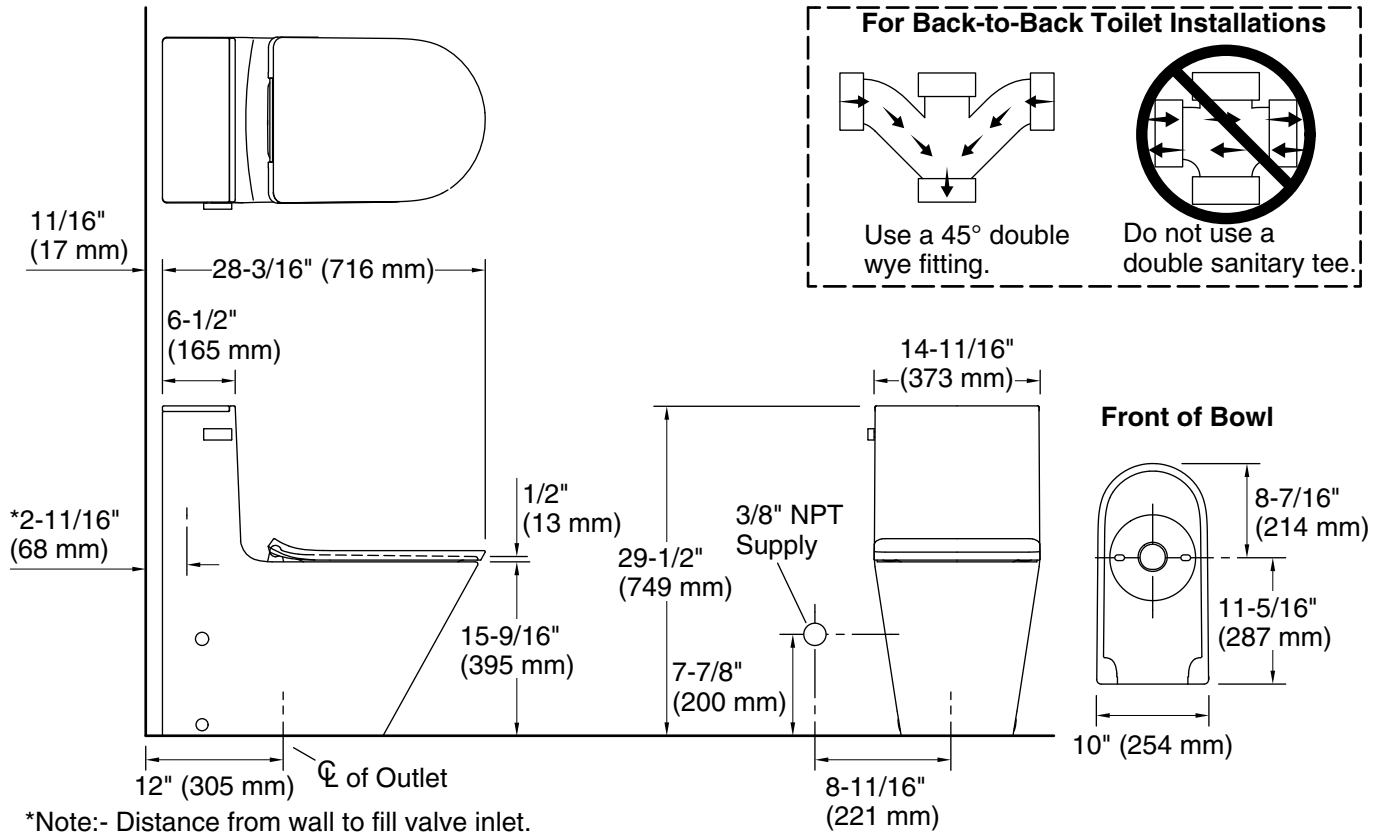
See website for detailed warranty information.

Available Colors/Finishes

Color tiles intended for reference only.

Color Code Description

	0	White
---	---	-------



Technical Information

All product dimensions are nominal.

Toilet type:	Floor-mount
Waste Outlet:	Floor
Bowl shape:	Elongated
Flush type:	Class Five
Trap passageway:	2" (51 mm)
Water surface size:	7-1/2" x 5-1/4" (191 mm x 133 mm)
Rim to water surface:	6-3/16" (157 mm)
Rough-in:	12" (305 mm)
Seat-mounting holes:	5-1/2" (140 mm)
Template:	Footprint, 1385810-7, not required, included

Fixture Supply Requirements

Min static pressure:	20 psi (137.9 kPa)
Max static pressure:	80 psi (551.6 kPa)
Min flowing	15 psi (103.4 kPa)

Notes

Install this product according to the installation instructions.