

36 717 782

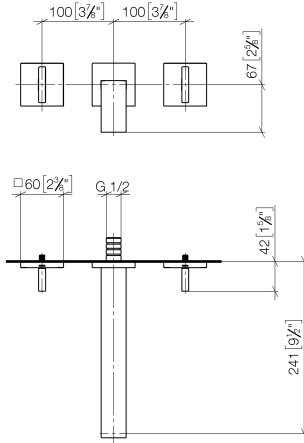


- 240mm projection
- fixed spout
- rectangular, air-enriched flow
- hole diameter valve 40 mm
- hole diameter spout 40 mm
- individual rosette 60 x 60 mm
- max. flow 5.7 l/min
- lead-free
- This product can help a building to meet requirements of Green Building Rating Systems, e.g. LEED®, BREEAM®, DGNB

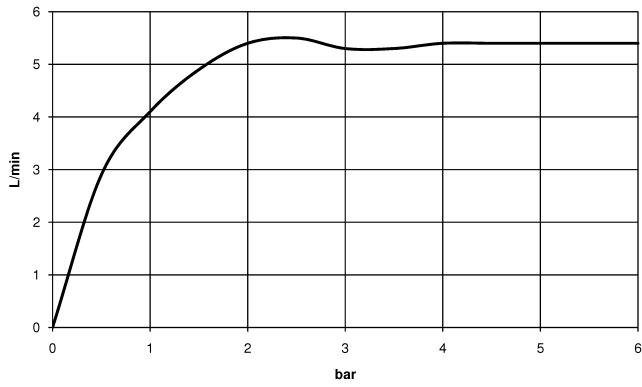
	Dark Chrome	36 717 782-19
	Chrome	36 717 782-00
	Brushed Platinum	36 717 782-06
	Platinum	36 717 782-08
	Brushed Durabronze (23kt Gold)	36 717 782-28
	Brushed Champagne (22kt Gold)	36 717 782-46
	Champagne (22kt Gold)	36 717 782-47
	Brushed Dark Platinum	36 717 782-99

36 717 782

mm [inches]



Flow rate chart



Certificates

LGA\_18554.

WRAS\_2204002.

36 717 782

Parts for other  
finishes can be found  
here: [Chrome](#)

