

VAIA Single-lever basin mixer with pop-up waste - Brushed Durabross (23kt Gold)

VAIA

33 510 809

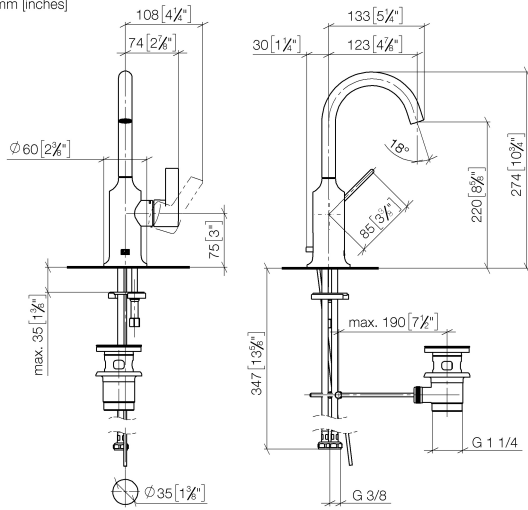


- 123mm projection
- pivotable spout 360°
- circular, air-enriched flow
- height of mixer 274 mm
- height up to aerator 220 mm
- hole diameter 35 mm
- 2x screw-in M 8 x 1 pressure hose, leak-tested
- max. flow 5.7 l/min
- lead-free
- This product can help a building to meet requirements of Green Building Rating Systems, e.g. LEED®, BREEAM®, DGNB

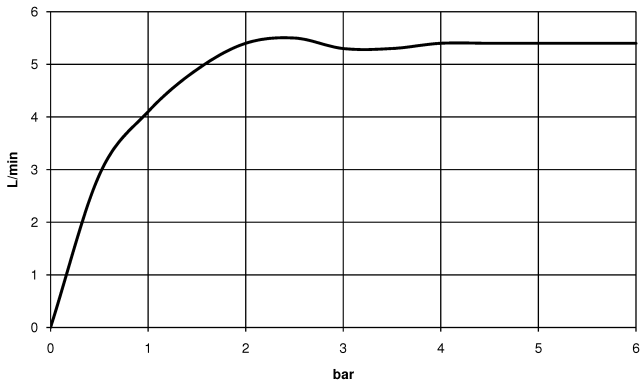
Only suitable for basins with an overflow.

	Brushed Durabross (23kt Gold)	33 510 809-28
	Chrome	33 510 809-00
	Brushed Platinum	33 510 809-06
	Platinum	33 510 809-08
	Dark Chrome	33 510 809-19
	Brushed Champagne (22kt Gold)	33 510 809-46
	Champagne (22kt Gold)	33 510 809-47
	Brushed Dark Platinum	33 510 809-99

33 510 809
mm [inches]



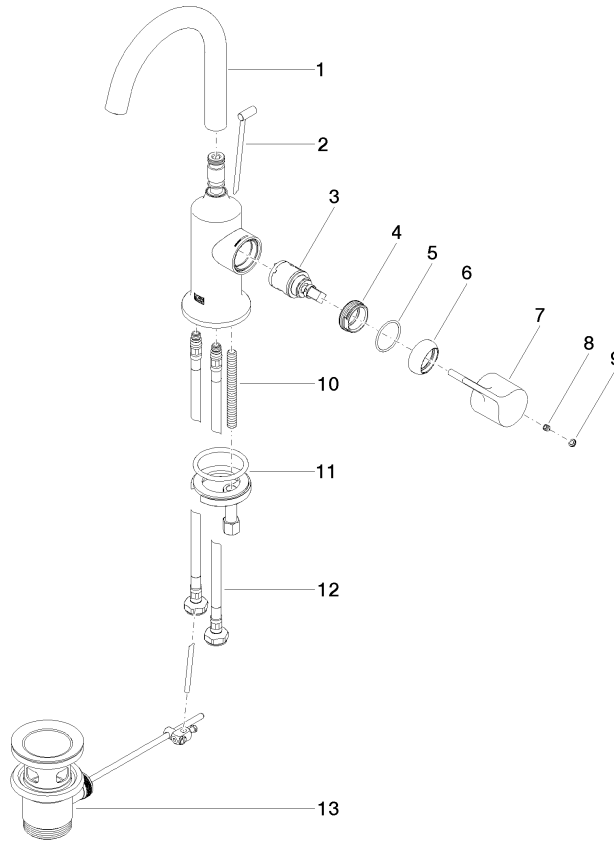
Flow rate chart



Certificates

WRAS_1810005. LGA_29299. GDV_0400313.

33 510 809
Parts for other
finishes can be found
here: [Chrome](#)



Spare parts list

No.	Item Number	Name	Quantity used	Delivery time
1	90 28 22 312 00-28	spout	1	20
2	04 20 89 035 80-28	pull-rod	1	20
3	90 15 05 042 00 90	cartridge	1	2
4	09 24 04 266 90	nut	1	2
5	09 14 10 091 90	seal	1	2
6	09 28 30 021-28	cover	1	20
7	09 20 80 020-28	handle	1	20
8	90 31 11 030 00 90	pin	1	2
9	90 31 20 087 00-28	plug	1	20
10	09 31 11 011 90	pin	1	2
11	04 30 11 038 00 90	fixing set	1	2
12	04 30 04 100 00 90	hose	2	2
13	90 11 01 001 00-28	pop-up waste	1	20