

ST 110 105 0809



- 202mm projection
- pivotable spout 360°
- air-enriched flow and spray flow
- fabric braided hose 1500 mm
- automatic spout/shower diverter
- sprayface with anti-scaling system
- max. flow 7 l/min at 3 bar flow pressure
- lead-free
- This product can help a building to meet requirements of Green Building Rating Systems, e.g. LEED®, BREEAM®, DGNB

	Champagne (22kt Gold)	ST 110 105 0809-47
	Chrome	ST 110 105 0809-00
	Brushed Platinum	ST 110 105 0809-06
	Platinum	ST 110 105 0809-08
	Durabronze (23kt Gold)	ST 110 105 0809-09
	Dark Chrome	ST 110 105 0809-19
	Brushed Durabronze (23kt Gold)	ST 110 105 0809-28
	Matte Black	ST 110 105 0809-33
	Brushed Champagne (22kt Gold)	ST 110 105 0809-46
	Brushed Chrome	ST 110 105 0809-93
	Brushed Dark Platinum	ST 110 105 0809-99

Individual components of this set

You need the following components for this set



1x 27 718 809-47



1x 33 810 809-47



VAIA Single-lever mixer with rinsing spray set - Champagne (22kt Gold)

VAIA

ST 110 105 0809

ST 110 105 0809





- with round rosette
- spray flow
- automatic spout/shower diverter
- height of mixer 171 mm
- hole diameter rinsing spray 32mm
- fabric braided hose 1500 mm
- sprayface with anti-scaling system
- lead-free
- This product can help a building to meet requirements of Green Building Rating Systems, e.g. LEED®, BREEAM®, DGNB

Can only be combined with 33810809, 33826809, 19815809, 19825809.

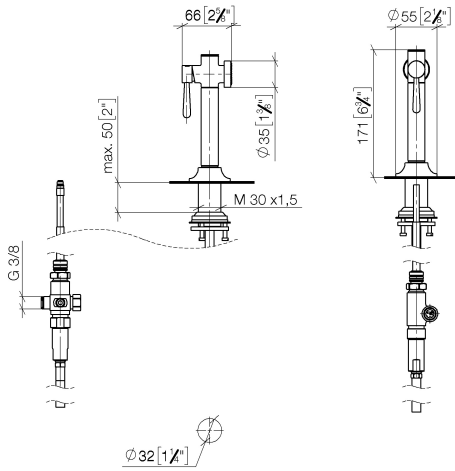
Intrinsic protection against back flow.

Residual water may emerge from the spray after closing.

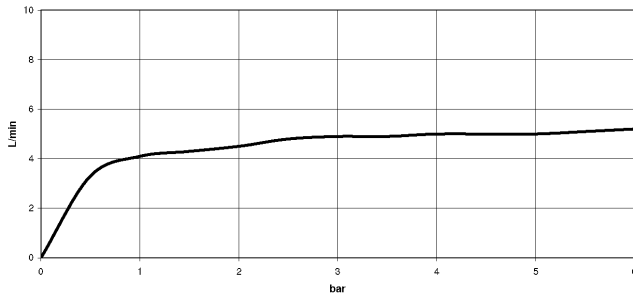
	Champagne (22kt Gold)	27 718 809-47
	Chrome	27 718 809-00
	Brushed Platinum	27 718 809-06
	Platinum	27 718 809-08
	Durabronze (23kt Gold)	27 718 809-09
	Dark Chrome	27 718 809-19
	Brushed Durabronze (23kt Gold)	27 718 809-28
	Matte Black	27 718 809-33
	Brushed Champagne (22kt Gold)	27 718 809-46
	Brushed Chrome	27 718 809-93
	Brushed Dark Platinum	27 718 809-99

ST 110 105 0809

mm [inches]



Flow rate chart



Certificates

LGA_38634.



- 202mm projection
- pivotable spout 360°
- air-enriched flow
- max. flow 7 l/min at 3 bar flow pressure
- lead-free
- This product can help a building to meet requirements of Green Building Rating Systems, e.g. LEED®, BREEAM®, DGNB

Single-lever mixer for combining with rinsing/Profi spray only

	Champagne (22kt Gold)	33 810 809-47
	Chrome	33 810 809-00
	Brushed Platinum	33 810 809-06
	Platinum	33 810 809-08
	Durabronze (23kt Gold)	33 810 809-09



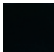
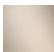




VAIA Single-lever mixer with rinsing spray set - Champagne (22kt Gold)

VAIA

ST 110 105 0809

ST 110 105 0809

	Dark Chrome	33 810 809-19
	Brushed Durabronze (23kt Gold)	33 810 809-28
	Matte Black	33 810 809-33
	Brushed Champagne (22kt Gold)	33 810 809-46
	Brushed Chrome	33 810 809-93
	Brushed Dark Platinum	33 810 809-99

Recommended miscellaneous



VAIA Rinsing spray set - Champagne (22kt Gold)

27 718 809-47

Recommended miscellaneous



VAIA Dispenser with rosette - Champagne (22kt Gold)

82 434 809-47

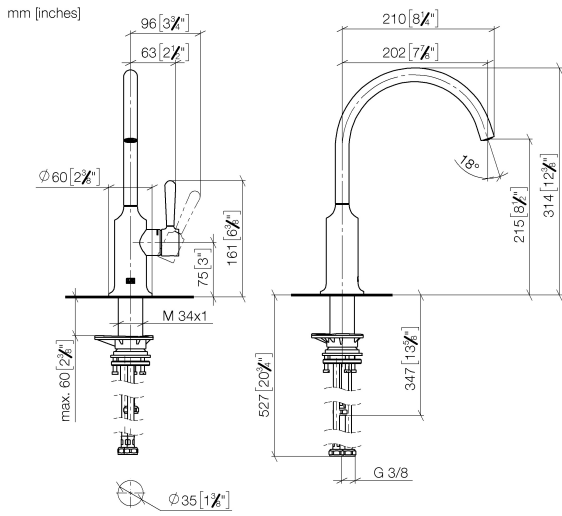


VAIA Single-lever mixer with rinsing spray set - Champagne (22kt Gold)

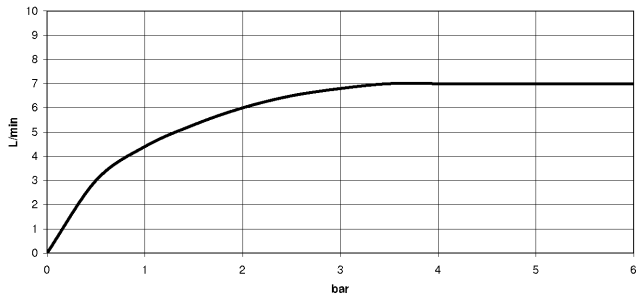
VAIA

ST 110 105 0809

ST 110 105 0809



Flow rate chart

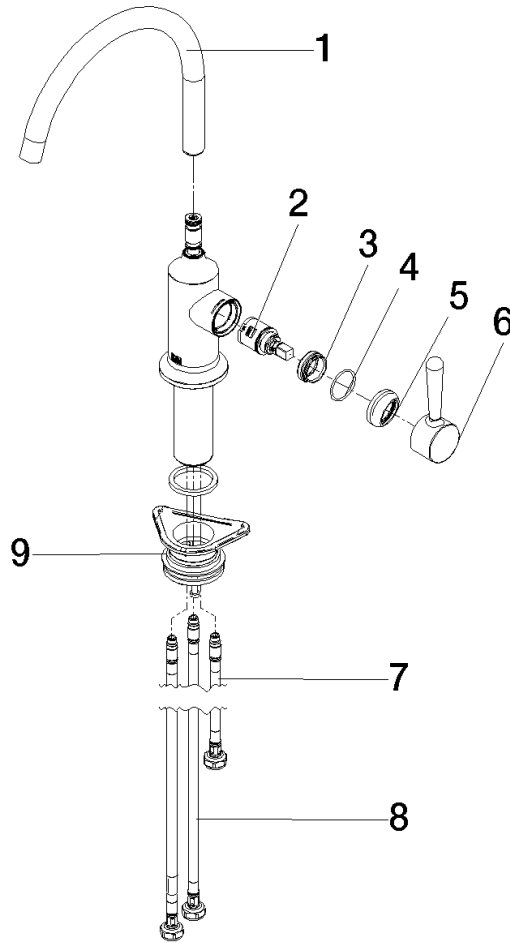


Certificates

LGA_38631.

ST 110 105 0809

Parts for other finishes can be found here: [Chrome](#)



Spare parts list

No.	Item Number	Name	Quantity used	Delivery time
1	90 28 22 313 02-47	spout	1	-
Spare part can no longer be ordered, please order the replacement item				
2	90 15 05 042 00 90	cartridge	1	2
3	09 24 04 266 90	nut	1	2
4	09 14 10 091 90	seal	1	2
5	90 28 30 052 00-47	cover	1	30
6	90 20 80 050 00-47	handle	1	-
Spare part can no longer be ordered, please order the replacement item				
7	04 30 04 100 00 90	hose	1	2
8	04 30 04 101 00 90	hose	2	2
9	04 23 10 044 08 90	fixing set	1	2