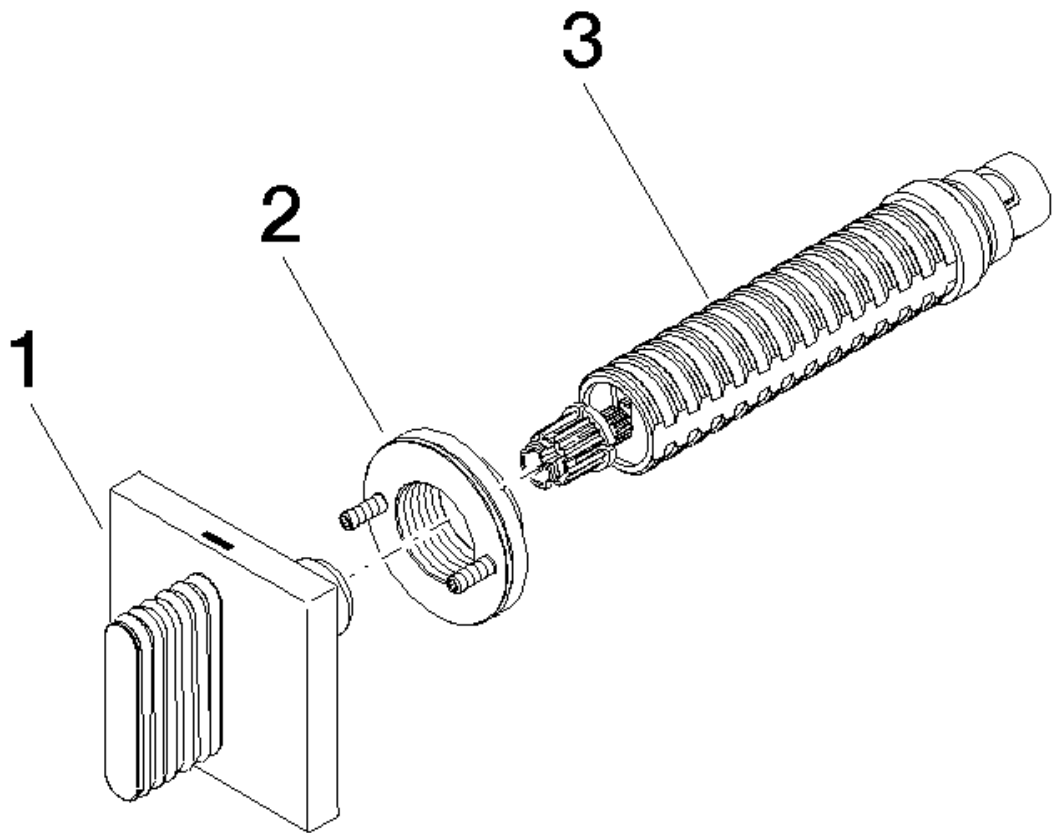


Shower - CL.1

CL.1 Wall valve anti-clockwise closing hot 1/2" - Dark Chrome

Article number: 36 617 707-19



Spare parts list

Position	Quantity used	Item Number	Spare part	Delivery time (Working days)
1	1	90 20 70 055 03-19	handle (hot)	45
2	1	90 21 02 108 00 90	disc	2
3	1	90 90 03 142 00 90	top	2



Shower - CL.1

CL.1 Wall valve anti-clockwise closing hot 1/2" - Dark Chrome

Article number: 36 617 707-19