






ST 060 114 5660

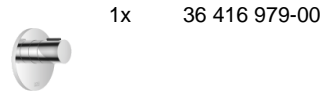
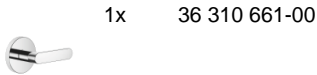


- cover plate Ø 124 mm
- rosette Ø 60 mm
- temperature control handle with safety limit stop at 38°C
- thermostat cartridge
- head part with cut-to-length spindle and sleeve

	Chrome	ST 060 114 5660-00
	Brushed Platinum	ST 060 114 5660-06
	Dark Chrome	ST 060 114 5660-19
	Matte Black	ST 060 114 5660-33
	Brushed Chrome	ST 060 114 5660-93

Individual components of this set

You need the following components for this set

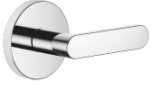




META xTOOL Thermostat module with 1 valve - Chrome

META

ST 060 114 5660





META xTOOL Thermostat module with 1 valve - Chrome

META

ST 060 114 5660



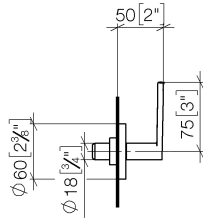
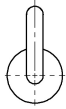
META xTOOL Thermostat module with 1 valve - Chrome

META

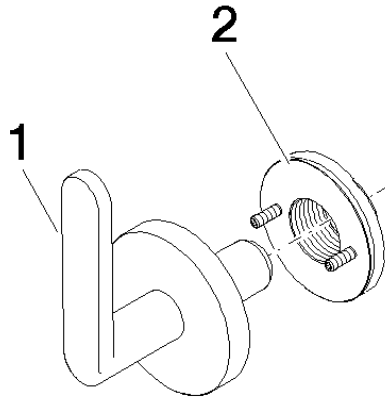
ST 060 114 5660

ST 060 114 5660

mm [inches]



ST 060 114 5660



Spare parts list

No.	Item Number	Name	Quantity used	Delivery time
1	90 20 66 014 04-00	handle	1	10
2	90 21 02 181 00 90	disc	1	2

ST 060 114 5660



- cover plate Ø 124 mm
- temperature control handle with safety limit stop at 38°C

Fits: TARA, VAIA, META

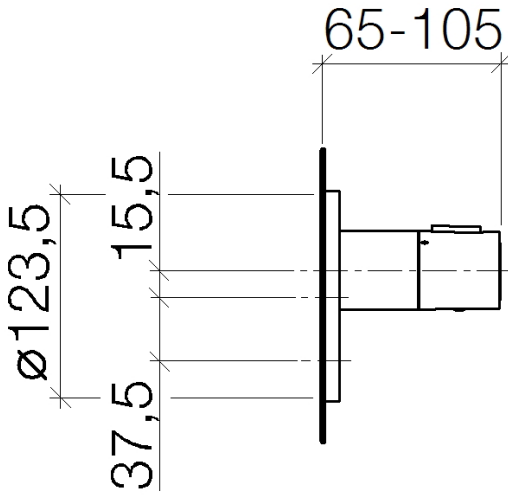


META xTOOL Thermostat module with 1 valve - Chrome

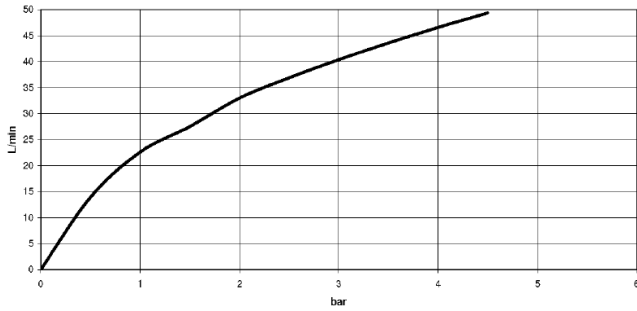
META

ST 060 114 5660

ST 060 114 5660



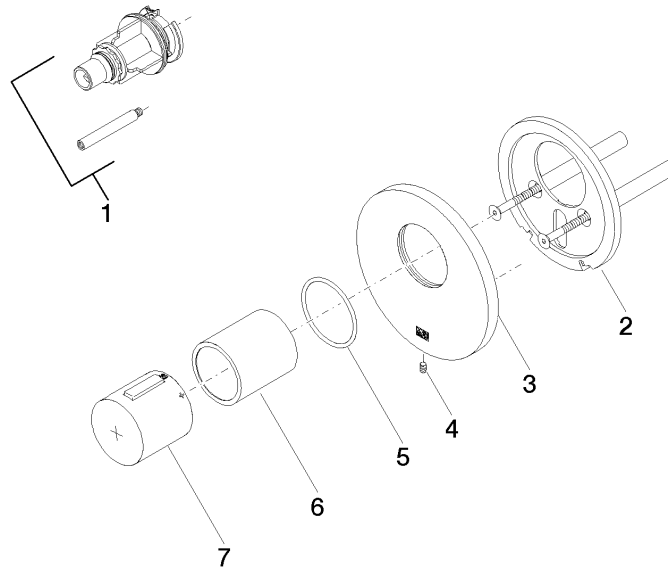
Flow rate chart



Certificates

IAPMO_4976 (5).

ST 060 114 5660



Spare parts list

No.	Item Number	Name	Quantity used	Delivery time
1	12 178 970 90	Extension 46 mm -	1	2
2	90 11 01 196 00 90	base	1	2
3	09 11 02 537-00	cover	1	10
4	09 31 11 048 90	pin	1	2
5	90 14 10 049 00 90	seal	1	2
6	90 21 02 112 00-00	sleeve	1	10
7	90 17 33 017 00-00	handle	1	10