



Freshman™

Siphon-jet wall-mount 1 gpf urinal with top spud
K-4989-T

Features

- Siphon jet
- 3/4" (19 mm) top spud
- Includes inlet and outlet spuds and hangers
- 1.0 gpf (3.8 lpf)

Material

- Vitreous china

Recommended Products/Accessories

- K-23726 Drain treatment
- K-23725 Cast iron cleaner
- K-76319 Urinal flushometer, 1.0 gpf



Codes/Standards

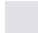


ASME A112.19.2/CSA B45.1
DOE - Energy Policy Act 1992
IAPMO Certification

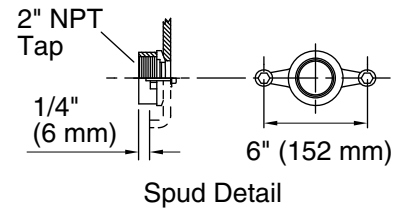
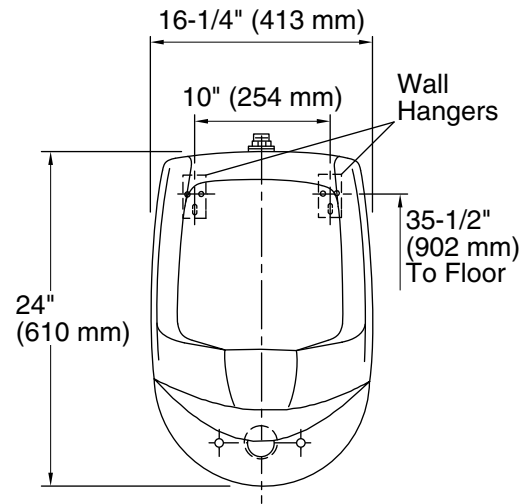
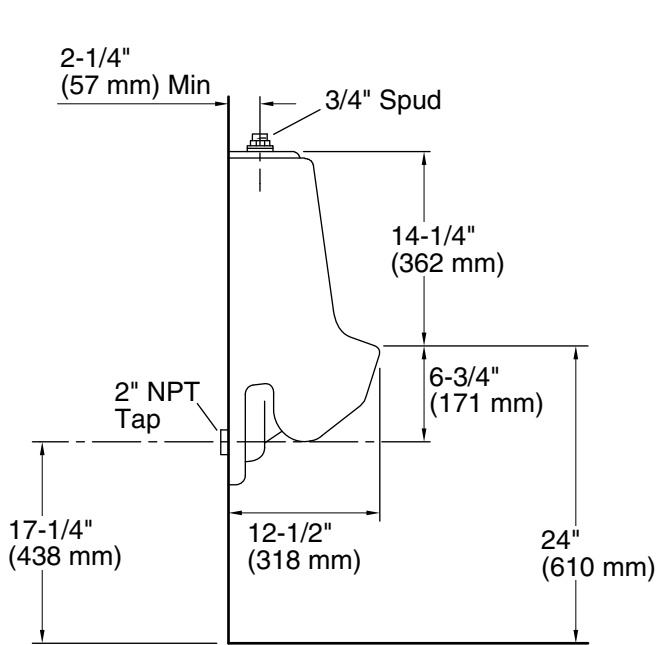
KOHLER® One-Year Limited Warranty

See website for detailed warranty information.

Available Colors/Finishes

Color tiles intended for reference only.

Color	Code	Description
	0	White
	96	Biscuit
	7	Black Black™



Technical Information

All product dimensions are nominal.

Spud size: 3/4, Inlet, Top
 Spud size: 3/4, Outlet, Top
 Max. Water per Flush: 1 gal (3.8 L)

Notes

Install this product according to the installation guide.
 Refer to manufacturer's instructions and local codes for flush valve requirements.