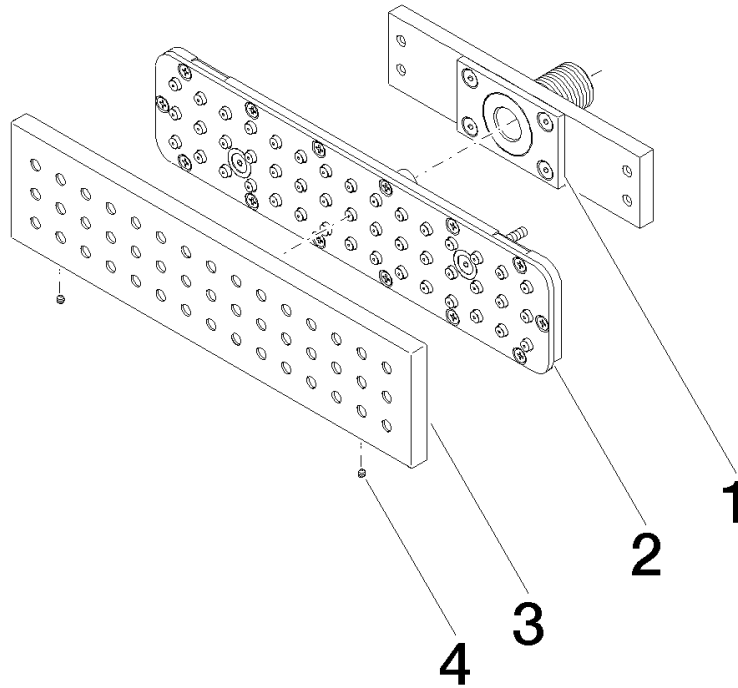


Shower - IMO  
 WATER BAR Concealed body spray - Dark Chrome  
 Article number: 36 527 979-19



**Spare parts list**

Position	Quantity used	Item Number	Spare part	Delivery time (Working days)
1	1	90 11 02 137 00 90	connection	2
2	1	90 11 02 332 01-00	insert	10
3	1	09 27 99 001-19	rosette	45
4	2	09 31 11 006 90	pin	2



Shower - IMO

WATER BAR Concealed body spray - Dark Chrome

Article number: 36 527 979-19