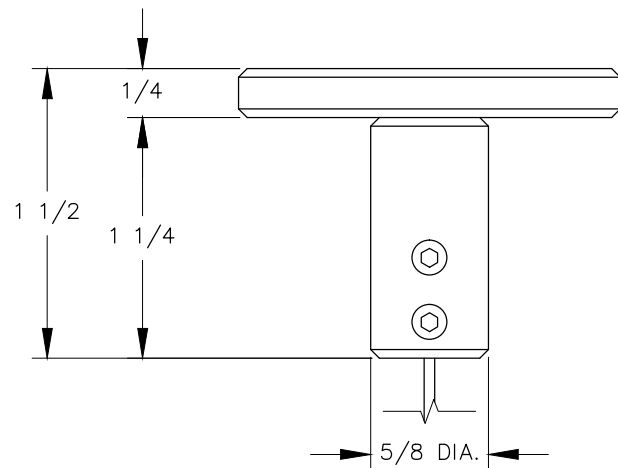
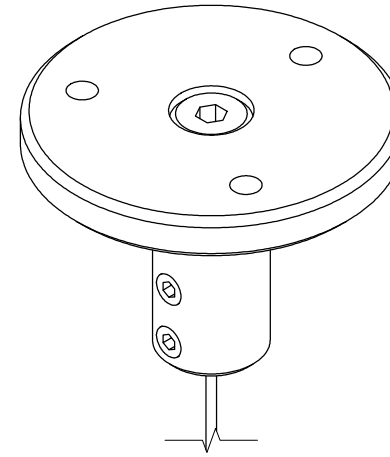


TOP VIEW

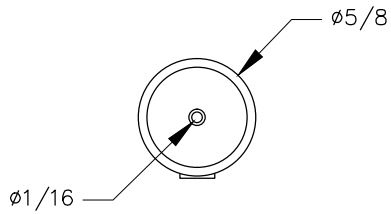


FRONT VIEW

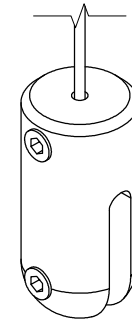


NOTE:

1. Weight capacity is 30 lbs. Max. per set.
2. Panel thickness is $1/8$ Max.
3. Maximum panel width is 48.
4. Maximum spacing between panel grips is 40 on center.
5. 10 ft. long $3/64$ Dia. wire included.
6. Recommend installing into ceiling joist.

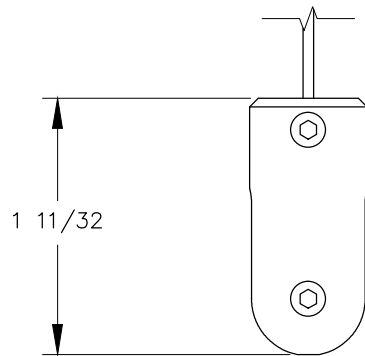


TOP VIEW

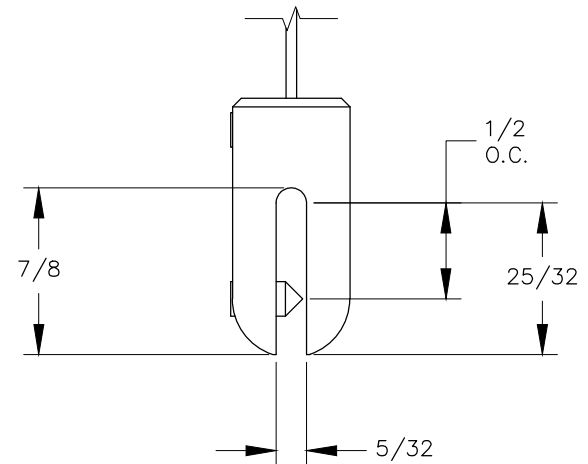


NOTE:

1. Weight capacity is 30 lbs. Max. per set.
2. Panel thickness is 1/8 Max.
3. Maximum panel width is 48.
4. Maximum spacing between panel grips is 40 on center.
5. 10 ft. long 3/64 Dia. wire included.
6. Recommend installing into ceiling joist.



FRONT VIEW



SIDE VIEW