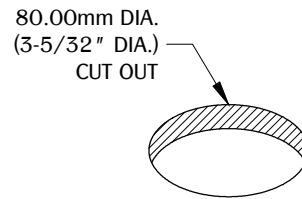


1

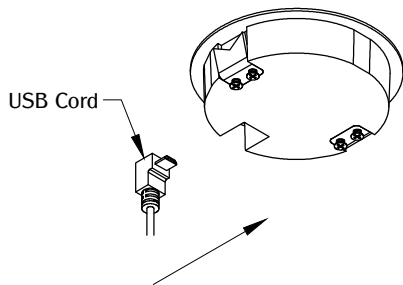


Determine the position and location of the unit on the work surface. Cut the hole at 80.00mm DIA. (3-5/32").

NOTE:

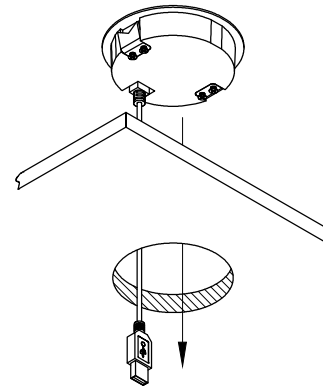
- Wireless output is 5W Max.
- Mobile device must be equipped with a wireless charging receiver (Wireless charging accessories not included.) Check mobile manufacturer for compatibility.
- Cord length is 5 ft.

2



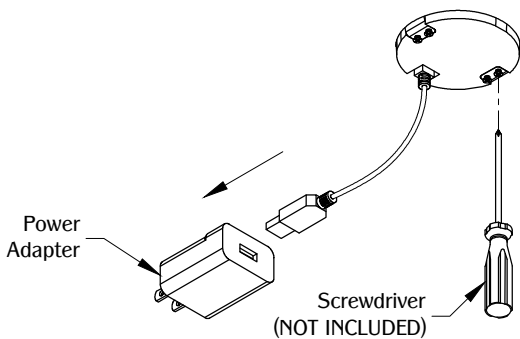
Insert the micro USB plug into the port on the bottom of the unit.

3



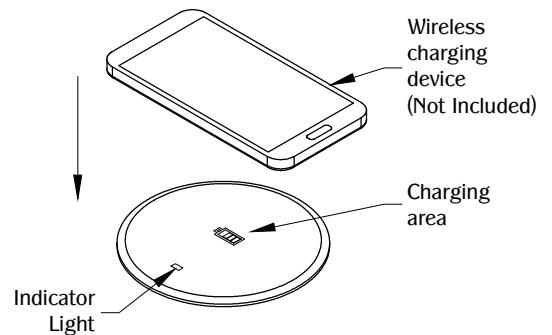
Install the unit into the cut out and be sure it is fully level on the surface.

4



Use a screwdriver under the unit to tighten (4) screws to lock into the work surface. Plug in the USB plug from the unit to the power adapter. Plug the unit into nearby outlet (outlet should be close enough to where power cord is not taut or strained) and unit is ready for use.

5






Position the mobile device on the center of the charging area. The indicator light activates to signify that the device is actively charging or the charging icon will activate on the device's screen.

WARNING:

1. If you are using an implanted medical device (for instance an implanted pacemaker), please consult your doctor before using this wireless charger.
2. Please DO NOT use wireless charger in temperatures below -20°C and above +40°C.
3. Please DO NOT put the wireless charger in water or any other liquid.
4. Please DO NOT touch the electrical outlet or USB plug with wet hands.
5. Please keep the unit away from magnetic cards.

TABLE OF CONTENTS:

1X PCS76/WC
1X 5 ft. USB Cord
1X Power Adapter