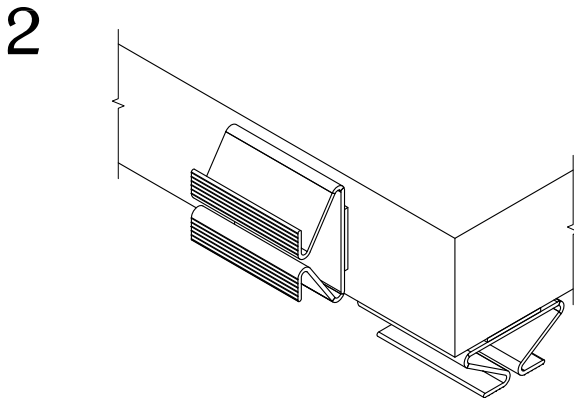
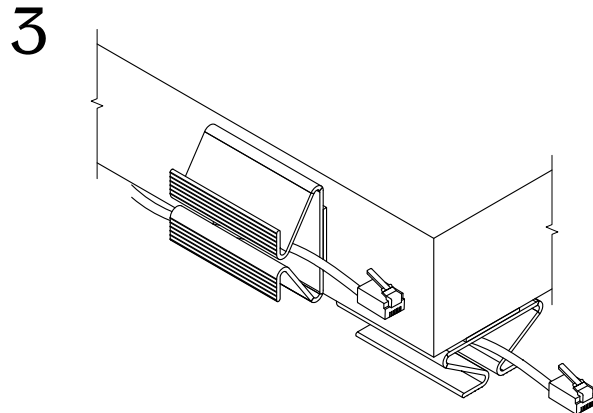


Determine the position and location on the work surface in which to apply the WM28/2IN. The WM28/2IN can be mounted underneath or on the side of the work surface.

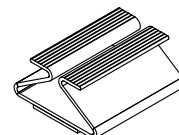


Apply pressure to the WM28/2IN when placing against the work surface until it is held into position by the adhesive.



Place wires into position by pushing them through the small opening on top of the WM28/2IN.

### TABLE OF CONTENTS:



..... WM28/2IN