

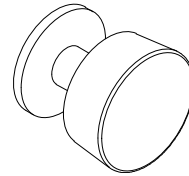
## DP73

PROPRIETARY AND CONFIDENTIAL.  
ALL DIMENSIONS HAVE A +/- 1/32" TOLERANCE UNLESS OTHERWISE SPECIFIED. WE DO NOT RECOMMEND DRILLING OR CUTTING ANY HOLES BEFORE RECEIVING A PRODUCT OR A PRODUCT SAMPLE.

### SPECIFICATIONS

- Additional mounting screw lengths available upon request.

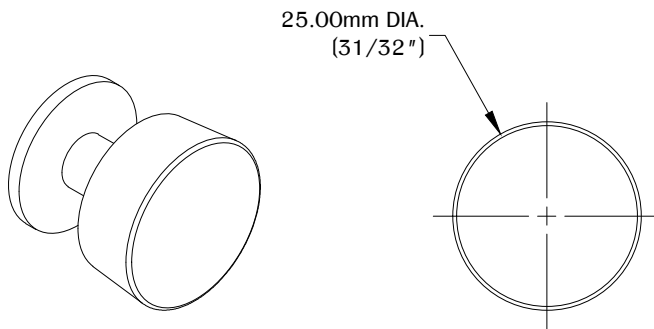
### TABLE OF CONTENTS



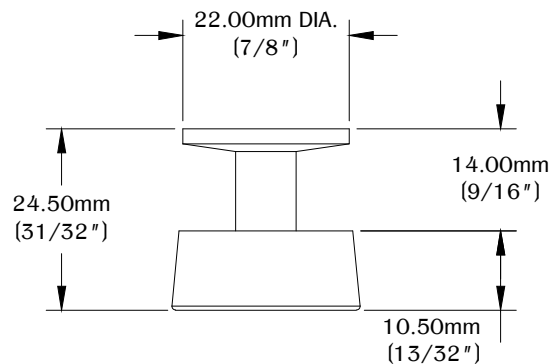
..... 1X DP73



..... 1X 1" M4 X 0.70 Thread Mounting Screw

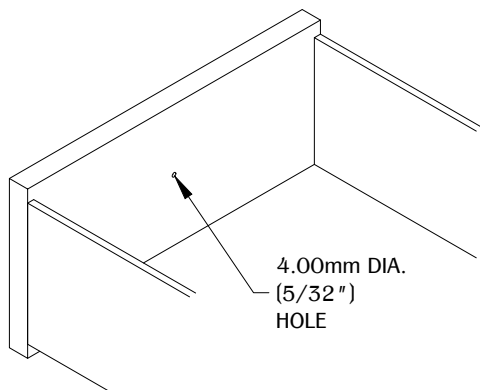


FRONT VIEW



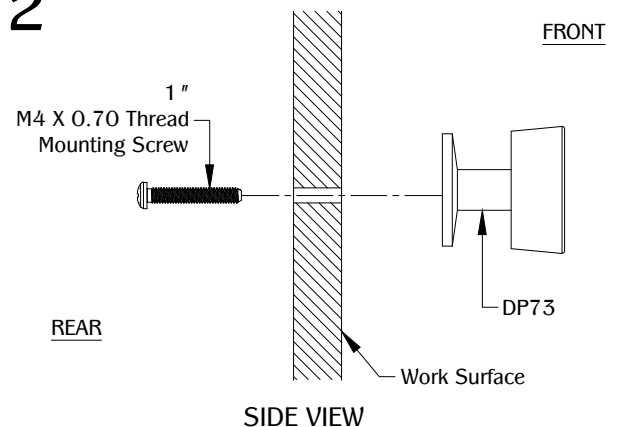
TOP VIEW

1



Determine the position and location of the part on the work surface. Mark the mounting position and drill the hole for the mounting hardware.

2



SIDE VIEW

Use (1) 1" M4 X 0.70 thread mounting screw to secure the part to the work surface. Make sure the part is fully level on the work surface.