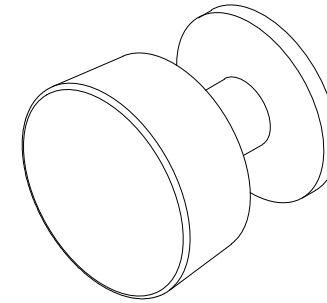
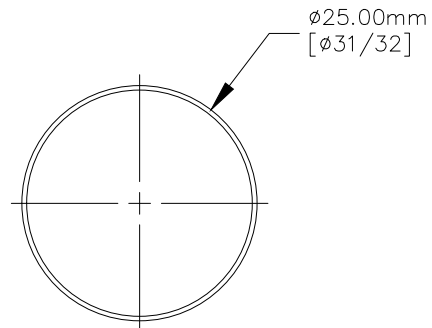


TOP VIEW



NOTE:

1. M4 X 0.70 thread mounting holes.



FRONT VIEW