

Rook® 350

3.5" Square Pendants



Pendant



Pendant w/Remote Driver

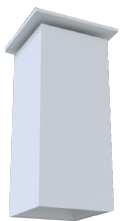
Features

High style, yet also versatile. Spare and modern, yet warm and welcoming. This striking Rook 350 re-imagines the Hornet HP Downlight line in a popular new pendant form. It's a fabulous solution for open ceilings, with the same aperture and drivers as Hornet HP Downlights—and yet its own distinctive style shines through. Rook 350 Pendant. Simply stunning.

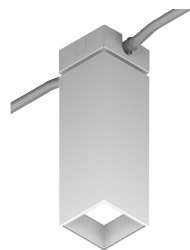
Product Overview

Type:	Square Pendant
Wattage:	11, 16, 18 (SD version) or 14, 21 (SLD version)
Color Temp:	2200K, 2700K, 3000K, 3500K, 4000K
CRI:	83 typ. (2700K, 3000K, 3500K, 4000K) 90+ typ. (2200K, 2700K, 3000K, 3500K, 4000K) CrispWhite & Class A LED available
Dimming:	TRIAC & ELV (120V/277V) - 5% Dim Lutron Hi-lume® H Series/EcoSystem - 1% dim with soft on, fade to black, 120V/277V 0-10V (120V/277V) - 1% Dim

PROJECT:



Surface Mount



Conduit Surface Mount

TYPE:

Performance Chart

Watts	Delivered Lumens	LPW	CBCP	Color Temp
Rook 350 SD				
11	796	72.4	7,627	3000K-83
16	1,162	72.6	11,128	3000K-83
18	1,305	72.5	12,503	3000K-83
Rook 350 SLD				
14	1,429	102	2,025	3000K-83
21	2,133	101.6	3,023	3000K-83

*Data is based on 3000K-83 IES files available on website
See pages 5-6 for data on other beam spreads*

Electrical Data

	Rook 350 SD					
	11W		16W		18W	
	System Watts	Amps	System Watts	Amps	System Watts	Amps
120V	11	0.09	16	0.13	18	0.15
277V	11	0.04	16	0.06	18	0.06

	Rook 350 SLD			
	14W		21W	
	System Watts	Amps	System Watts	Amps
120V	14	0.12	21	0.18
277V	14	0.05	21	0.08

Electronic constant current LED driver



Rook® 350

3.5" Square Pendants



PROJECT:

TYPE:

Ordering Information



- 1** Model
RK350SD
RK350SD-REMOTE (Remote Driver)
RK350SLD (Lensed)
RK350SLD-REMOTE (Lensed, Remote Driver)
- 2** Wattage

RK350SD	RK350SLD
11	14
16	21
18°	

[°] Not available for use with CrispWhite color temp
- 3** Housing Finish
MW - matte white
MB - matte black
SLV - matte silver
- 4** Mounting (matches housing finish)
Canopy/Cord
CC4 - canopy/cord, 4' nominal OAL, 120V-277V
CC8 - canopy/cord, 8' nominal OAL, 120V-277V
CC12 - canopy/cord, 12' nominal OAL, 120V-277V
CDCC4 - conduit canopy/cord, 4' nominal OAL, 120V-277V
CDCC8 - conduit canopy/cord, 8' nominal OAL, 120V-277V
CDCC12 - conduit canopy/cord, 12' nominal OAL, 120V-277V
Stem
RS4 - rigid stem, 4' nominal OAL, 120V-277V
RS8 - rigid stem, 8' nominal OAL, 120V-277V
SS4^R - swivel stem, 4' nominal OAL, 120V-277V
SS8^R - swivel stem, 8' nominal OAL, 120V-277V
CDRS4 - conduit rigid stem, 4' nominal OAL, 120V-277V
CDRS8 - conduit rigid stem, 8' nominal OAL, 120V-277V
Surface
SM^R - surface mount, 120V-277V
CDSM^R - conduit surface mount, 120V-277V
Track/Cord (for use with LE/TE driver only)
TC8-TN1^R - straight cord 8', Global GES 1cir/H-style, 120V
TC8-TEK^R - straight cord 8', Global TEK 2cir/2neut, 120V
TC8-TN3^R - straight cord 8', Global XTS 3cir, 120V
TC8-TN2^R - straight cord 8', Global HTEK 2cir/2neut, 277V
TC8-CT^R - straight cord 8', J-style, 120V
TC8-LOL^R - straight cord 8', L-style 1cir, 120V
^R Not available for use with remote driver
Consult factory for conduit mounting pricing
Cord and Stem mounts are field cuttable
For custom lengths, consult factory

- 5** Voltage
120*
277*
120-277
*** For use with track/cord mounting options**
- 6** Trim Finish
MW - matte white
MB - matte black
SLV - matte silver
- 7** Beam Spreads

RK350SD	RK350SLD
SP - spot, 15°	30SOL - 30° solite lens
NF - narrow flood, 20°	50SOL - 50° solite lens
MFL - medium flood, 24°	65SOL - 65° solite lens
FL - flood, 28°	75SAT - 75° satin ice lens
WF - wide flood, 45°	
VWF - very wide flood, 60°	
LS - linear spread, 60°x10°	
- 8** Color Temp

83 CRI	90+ CRI	
27 - 2700K-83	229 - 2200K-90+	CRISP⁺ - CrispWhite
30 - 3000K-83	279 - 2700K-90+	3CLA - 3K Class A
35 - 3500K-83	309 - 3000K-90+	
40 - 4000K-83	359 - 3500K-90+	
	409 - 4000K-90+	

† Not available for 18W (SD model)
- 9** Driver
LE/TE - TRIAC/ELV dimming, 5% dim
0-10V - 0-10V dimming; 1% dim
HILUME-H-ECO - Lutron Hi-lume® H Series, EcoSystem, 1% dim with soft on, fade to black

Rook® 350

3.5" Square Pendants



PROJECT:

TYPE:

Specifications

Application

Retail and commercial ambient/task lighting

Construction

Extruded aluminum pendant housing
Die-cast trim
Extruded aluminum heat sink

Optical

RK350SD Beam Spreads:
Spot, 15°; Narrow Flood, 22°; Medium Flood, 25°; Flood, 28°;
Wide Flood, 45°; Very Wide Flood, 60°;
Linear Spread, 60° x 10°
RK350SLD Beam Spreads:
Satin Ice Lens for maximum source concealment and wide distribution with a visually "hotter" aperture. 75° beam spread.
Solite Lens for maximum efficacy and a visually quieter aperture. 30°, 50° & 65° beam spread options. Visually best with SLV reflector finish.

LED

Color Temp Options:
2200K, 2700K, 3000K, 3500K, 4000K
CRI: 83 typ. (2700K, 3000K, 3500K, 4000K)
90+ typ. (2200K, 2700K, 3000K, 3500K, 4000K)
CrispWhite* LED available (16W max SD version)
Class A** 3000K LED available
R9 Values: 11 (83 CRI), 55 (92 CRI)
Binning: 3 MacAdam (SDCM)
Life: 50,000+ hrs, > 70% of initial lumens at 50,000 hrs
**CrispWhite: CrispWhite Technology delivers the warmth of colors expected from a high 90 CRI solution but also creates the natural crisp white color that is pleasing to the eye. It creates the most impactful lighting ever available, by revealing the richest whites and vibrant colors that pop.
**Class A LED: Class A LED's have a CRI > 80 and a GAI > 80. CRI defines color "Naturalness" and GAI defines color "Saturation." Both being high delivers rich colors and pure whites.*

Electrical

Wattage: 11, 16, 18 (SD version) or 14, 21 (SLD version)
Electronic constant current LED driver, 120V-277V input
This product complies with IEEE C62.41 for surge endurance up to 2.5KV. Amerlux® recommends using additional surge protection with this unit (supplied by others), surge and over voltage damage is not covered under warranty.

Drivers

LE/TE - Leading Edge, TRIAC, forward phase/Trailing Edge, ELV, reverse phase
0-10V and Lutron also available
See pages 8-9 for more dimming information

Finish

Powder coat paint
Consult factory for custom finishes

Mounting

Canopy/cord, rigid stem, swivel stem (not available for use with remote driver) or surface mounting (not available for use with remote driver)
Conduit mounting also available (see pg4 for details).
Overall length (OAL) is field adjustable and factory set at ± 2" of nominal value.
Straight cord track mounting also available.

Certifications

CSA tested to UL standards
Indoor use only
Damp location

Warranty

5 year limited warranty

Rook® 350

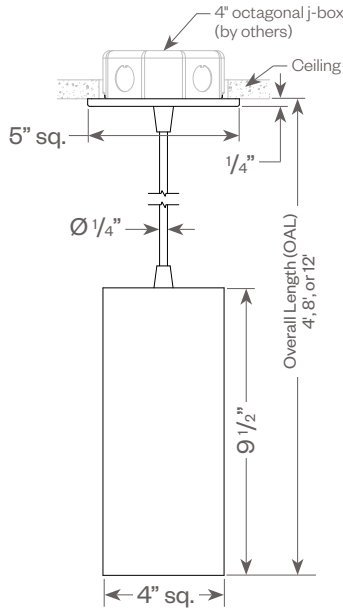
3.5" Square Pendants



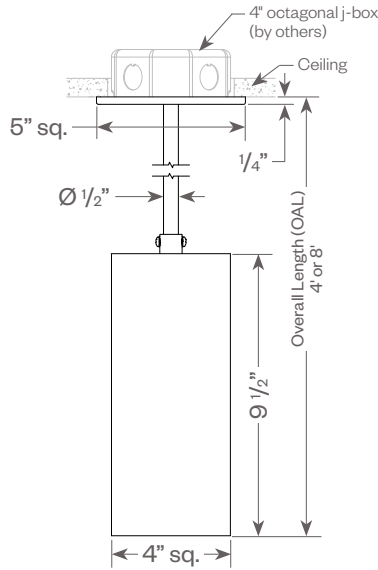
PROJECT:

TYPE:

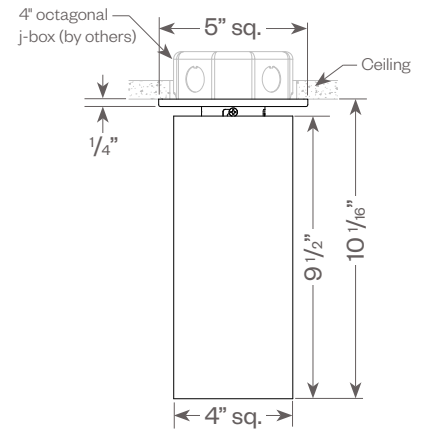
Canopy/Cord Mounting



Rigid Stem Mounting

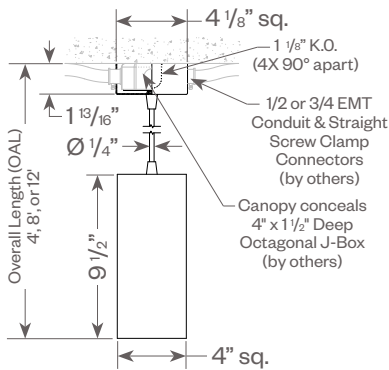


Surface Mounting

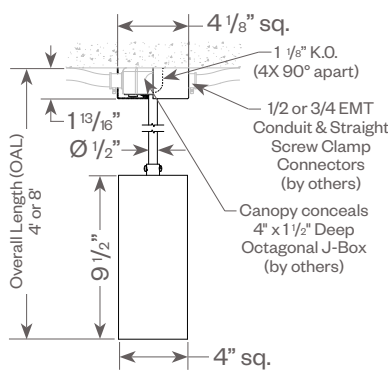


Ceiling Cut Out: $\text{Ø}4 \frac{1}{4}$ "

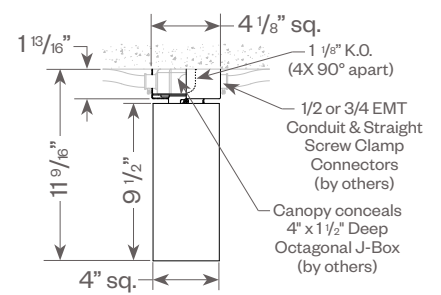
Conduit Canopy/Cord Mounting



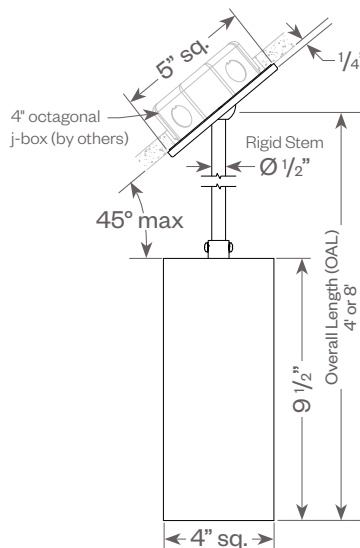
Conduit Rigid Stem Mounting



Conduit Surface Mounting

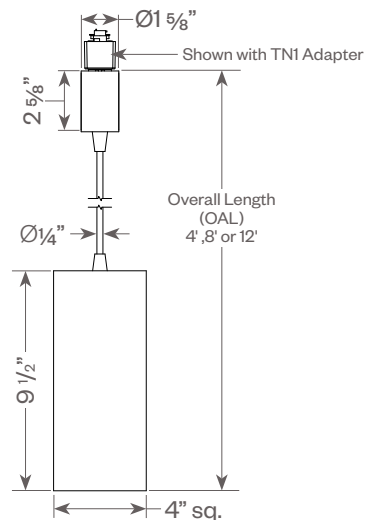


Swivel Stem Mounting



Ceiling Cut Out: $\text{Ø}4 \frac{1}{4}$ "

Straight Cord Track Mounting



Rook® 350

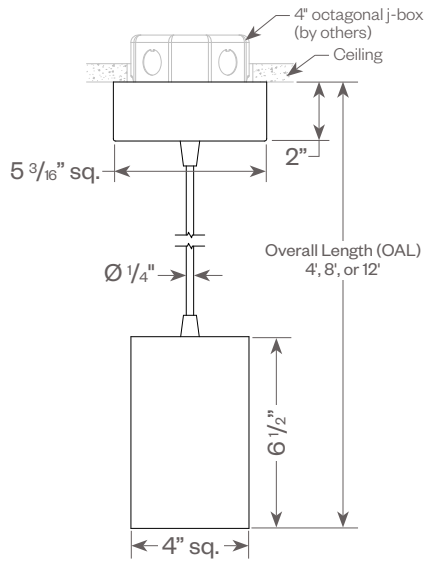
3.5" Square Pendants



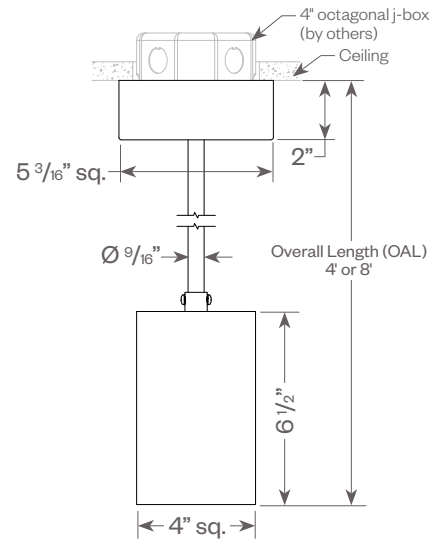
PROJECT:

TYPE:

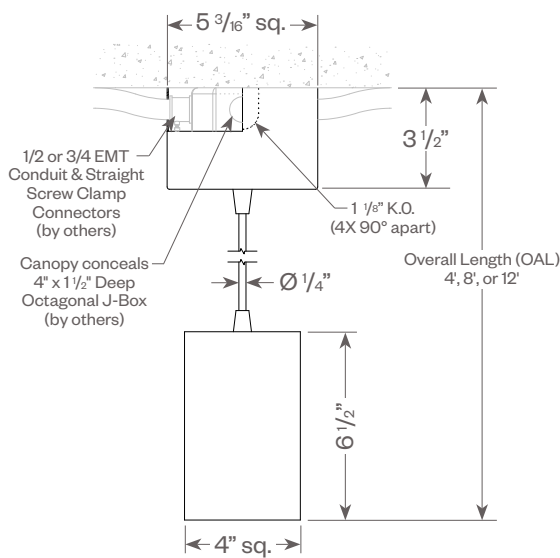
Remote Driver Canopy/Cord Mounting



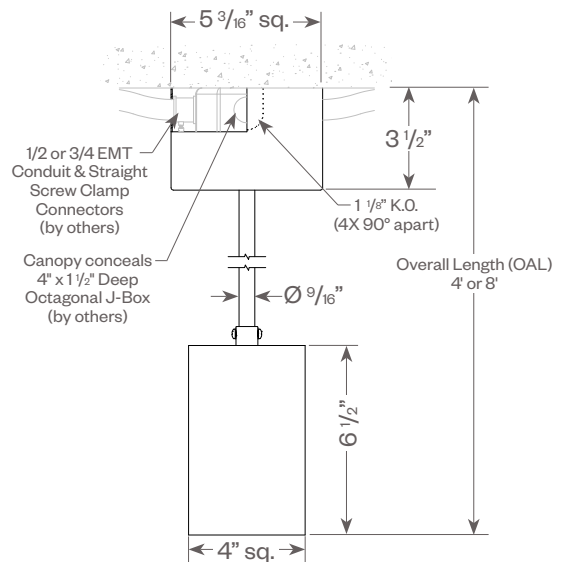
Remote Driver Rigid Stem Mounting



Remote Driver Conduit Canopy/Cord Mounting



Remote Driver Conduit Rigid Stem Mounting



Rook® 350

3.5" Square Pendants



PROJECT:

TYPE:

RK350SD/RK350SD-REMOTE

FIXTURE DATA: (Complete photometric data (.ies format) available upon request)

MULTIPLYING FACTORS: (Multiplying Factor is based on 3000K-83 120V IES file on website)

Wattage:	11W	16W	18W
Factor:	0.61	0.89	1.0

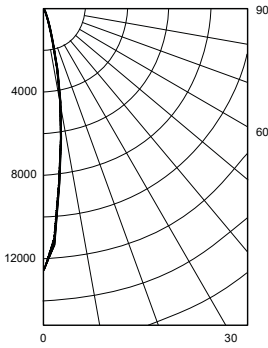
CCT:	2700K-83	3000K-83	3500K-83	4000K-83
Factor:	0.96	1.0	1.02	1.04

CCT:	2200K-90+	2700K-90+	3000K-90+	3500K-90+	4000K-90+	CRISP*	3CLA
Factor:	0.71	0.80	0.83	0.87	0.90	0.65	0.75

* Not available for use with 18W

18W LED, 3000K-83

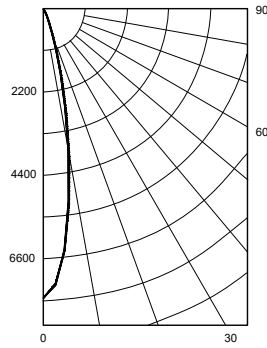
Spot (SP) Distribution, 15°
LTL #818202
Lumens: 1,305



Candelas at Nadir

Deg	Candela
0	12503
5	8267
15	1659
25	185
35	34
45	2

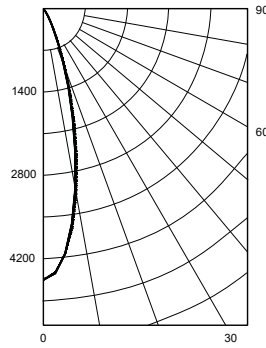
Narrow Flood (NF) Distribution, 22°
LTL #818203
Lumens: 1,216



Candelas at Nadir

Deg	Candela
0	7621
5	6414
15	1904
25	282
35	49
45	4

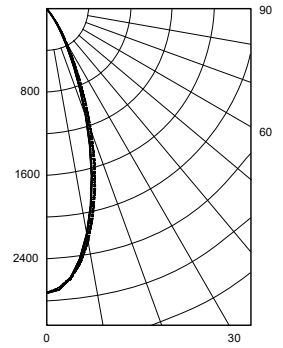
Flood (FL) Distribution, 28°
LTL # 818205
Lumens: 1,170



Candelas at Nadir

Deg	Candela
0	4540
5	4130
15	2019
25	490
35	81
45	5

Wide Flood (WF) Distribution, 45°
LTL # 818206
Lumens: 1,166

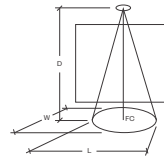


Candelas at Nadir

Deg	Candela
0	2721
5	2581
15	1751
25	712
35	161
45	7

Application Data:

	0° Aiming Angle Horizontal Footcandles			
	D	FC	L	W
Spot	5.0'	290	1.9	1.9
	7.5'	161	2.6	2.6
	10.0'	101	3.1	3.1
	12.5'	69	3.7	3.7
Narrow Flood	5.0'	219	2.2	2.2
	7.5'	114	3.0	3.0
	10.0'	69	3.8	3.8
	12.5'	45	4.7	4.7
Flood	5.0'	141	2.7	2.7
	7.5'	70	3.7	3.7
	10.0'	42	4.9	4.9
	12.5'	27	6.0	6.0
Wide Flood	5.0'	97	3.3	3.3
	7.5'	46	4.8	4.8
	10.0'	26	6.3	6.3
	12.5'	17	7.7	7.7



Notes and Definitions:

- Beam spread is to 50% center beam candlepower (CBCP).
- D=Distance to floor or wall.
- FC=Footcandles on floor or wall at center beam aiming location.
- L=Effective Visual Beam length in feet (50% of maximum footcandle level).
- W=Effective Visual Beam width in feet (50% of maximum footcandle level).
- CB=Distance across or down to center beam location.

Rook® 350

3.5" Square Pendants



PROJECT:

TYPE:

RK350SLD/RK350SLD-REMOTE

FIXTURE DATA: (Complete photometric data (.ies format) available upon request)

MULTIPLYING FACTORS: (Multiplying Factor is based on 3000K-83 120V IES file on website)

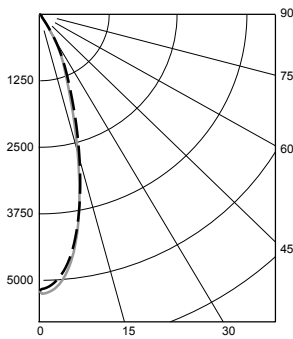
Wattage:	14W	21W
Factor:	0.67	1.0

CCT:	2700K-83	3000K-83	3500K-83	4000K-83
Factor:	0.96	1.0	1.02	1.04

CCT:	2200K-90+	2700K-90+	3000K-90+	3500K-90+	4000K-90+	CRISP	3CLA
Factor:	0.66	0.83	0.86	0.90	0.93	0.65	0.70

21W LED, 3000K-83

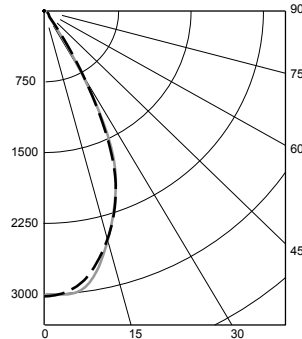
30° Solite Lens
LTL # 13408034.06
Lumens: 2080 lm; 92.1 lm/W



Candelas at Nadir

Deg	Candela
0	5191
5	4959
15	2524
25	955
35	141
45	58

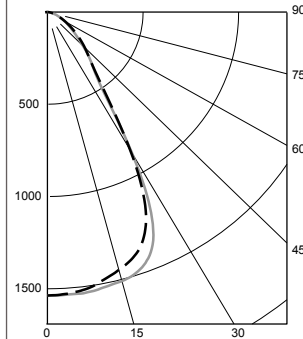
50° Solite Lens
LTL # 13408034.07
Lumens: 2133 lm; 94.5 lm/W



Candelas at Nadir

Deg	Candela
0	3023
5	3010
15	2495
25	1604
35	180
45	66

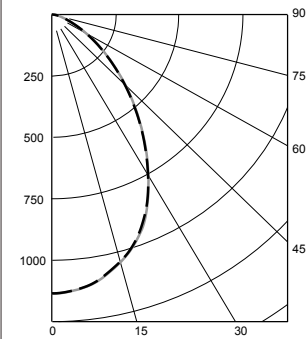
65° Solite Lens
LTL # 13408034.08
Lumens: 2073 lm; 91.9 lm/W



Candelas at Nadir

Deg	Candela
0	1537
5	1535
15	1509
25	1305
35	479
45	267

75° Satin Ice Lens
LTL # 13408034.09
Lumens: 1925 lm; 85.9 lm/W



Candelas at Nadir

Deg	Candela
0	1135
5	1125
15	1043
25	880
35	636
45	410

Application Data:

Notes and Definitions:

Beam spread is to 50% center beam candlepower (CBCP).

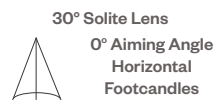
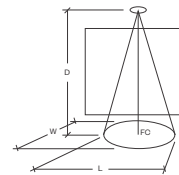
D=Distance to floor or wall.

FC=Footcandles on floor or wall at center beam aiming location.

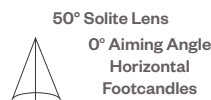
L=Effective Visual Beam length in feet (50% of maximum footcandle level).

W=Effective Visual Beam width in feet (50% of maximum footcandle level).

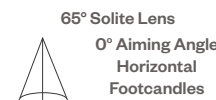
CB=Distance across or down to center beam location.



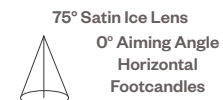
D	FC	L	W
5.0'	208	2.6	2.6
7.5'	93	3.7	3.8
10.0'	52	5.0	5.2
12.5'	34	6.3	6.4



D	FC	L	W
5.0'	122	4.1	4.1
7.5'	54	6.1	6.1
10.0'	31	8.2	8.2
12.5'	20	10.3	10.2



D	FC	L	W
5.0'	62	5.2	5.1
7.5'	28	7.9	7.7
10.0'	16	10.6	10.4
12.5'	10	13.4	13.2



D	FC	L	W
5.0'	44	5.5	5.5
7.5'	20	8.1	8.1
10.0'	12	10.9	10.9
12.5'	8	14.1	14.0

Rook® 350

3.5" Square Pendants



PROJECT:

TYPE:

DIMMING COMPATIBILITY:

Amerlux® Rook fixtures are compatible with all major dimming protocols prevalent in the United States. Please see below for general compatibilities and wiring diagrams. Amerlux recommends testing your unique dimming configuration as the exact full configuration (Dimmer, Fixture Quantity, Voltage, etc) may affect dimming performance.

--- NOTE: INFORMATION BELOW IS FOR WIRED DIMMERS ONLY. FOR WIRELESS DIMMERS, CONSULT FACTORY ---

TRIAC (Forward Phase) DIMMING (Standard)

Utilizes standard TRIAC dimmers that are in wide use in installations across the US. Best for retrofit applications where TRIAC dimmers are installed.

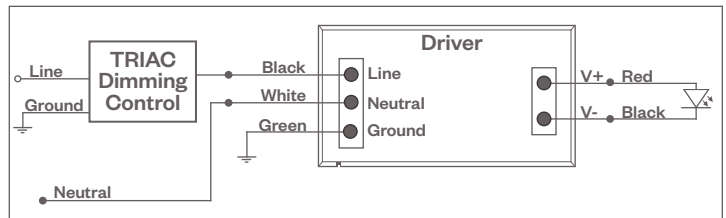
Notes:

- 16W-19W - 120/277VAC; 23W-31W - 120VAC only*
- Dims down to 5% light output (most cases)
- Consult Dimming manufacturer for installation instructions - DO NOT SHARE NEUTRALS!
- Must meet dimmer Minimum Load Requirements per dimming manufacturer

Compatible Dimmers†:

Wall Box (TRIAC 120VAC)	Central System
Lutron "Diva"	Lutron "GP" Panel
Lutron "Nova-T"	Lutron Grafik Eye QS
Lutron "Maestro"	
Lutron "Vareo"	
Lutron "Skylark"	

TRIAC Wiring Diagram



ELV - Electronic Low Voltage (Reverse Phase) DIMMING (Standard)

Utilizes specialized "ELV" dimmers.

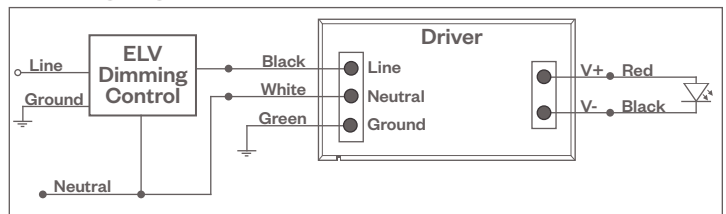
Notes:

- 16W-19W - 120/277VAC; 23W-31W - 120VAC only*
- Dims down to 5% light output (most cases)
- Consult Dimming manufacturer for installation instructions - DO NOT SHARE NEUTRALS!
- Must meet dimmer Minimum Load Requirements

Compatible Dimmers†:

Wall Box (ELV 120VAC)	Wall Box (ELV 277VAC)	Central System
Lutron "Diva"	Leviton Revoir II AWSMT-E	Lutron "GP" Panel with PHPM-PA 120/277VAC
Lutron "Nova-T"		Lutron Grafik Eye QS with PHPM-PA 120/277VAC
Lutron "Maestro"		
Lutron "Vareo"		
Lutron "Skylark"		
Leviton "Surslide"		
Leviton "Vizio"		

ELV Wiring Diagram



Notes:

- * Driver is 277VAC dimmable with appropriate dimmer (by others). All provided wiring diagrams show 120VAC wiring colors and method. Please refer to 277VAC dimmer manufacturer installation instructions for 277VAC wiring diagrams.
- † The absence of a dimmer from the lists above does not imply incompatibility. Please consult factory for compatibility inquiries.

Rook® 350

3.5" Square Pendants



PROJECT:

TYPE:

DIMMING COMPATIBILITY:

Amerlux® Rook fixtures are compatible with all major dimming protocols prevalent in the United States. Please see below for general compatibilities and wiring diagrams. Amerlux recommends testing your unique dimming configuration as the exact full configuration (Dimmer, Fixture Quantity, Voltage, etc) may affect dimming performance.

--- NOTE: INFORMATION BELOW IS FOR WIRED DIMMERS ONLY. FOR WIRELESS DIMMERS, CONSULT FACTORY ---

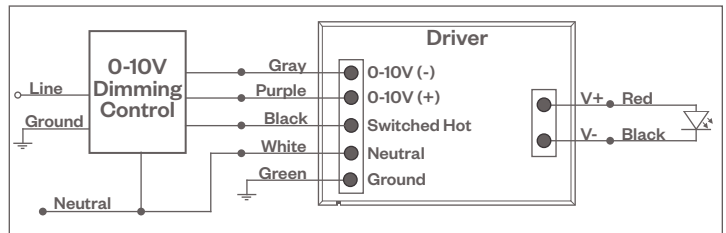
0-10V - DIMMING (-0-10V Option)

Integrates into a variety of building management and daylighting controls

Notes:

- 120V or 277V*
- Dims down to 1% light output
- Requires interface to turn off power to driver
- Consult Dimming manufacturer for installation instructions - DO NOT SHARE NEUTRALS!

0-10V Wiring Diagram



Compatible Dimmers†:

Wall Box

Lutron "Diva" - DVTV with PP-120H Interface

Leviton Renoir II 0-10V

Central System

Lutron Grafik Eye with GRX-TVI Interface

LUTRON H-SERIES / ECOSYSTEM (-HILUME-H-ECO Option)

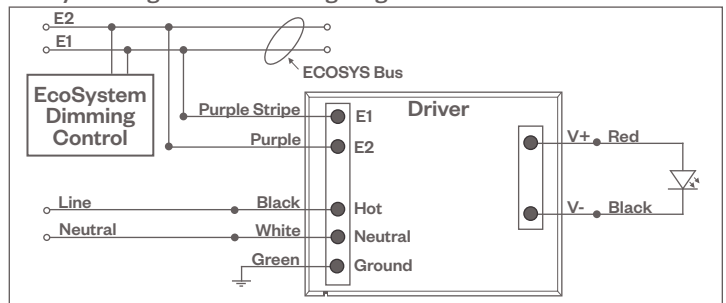
Integrates into Lutron EcoSystem building management

Notes:

- 120V or 277V*
- Dims down to 1% light output
- EcoSystem Control
- Consult Dimming manufacturer for installation instructions - DO NOT SHARE NEUTRALS!

HILUME-H-ECO, HILUME-5-ECO

EcoSystem Digital Control Wiring Diagram



Compatible Dimmers†:

Wall Box

Lutron "Diva"
Lutron "Nova-T"
Lutron "Maestro"
Lutron "Vareo"

Central System

Lutron EcoSystem compatible controls

Notes:

* Driver is 277VAC dimmable with appropriate dimmer (by others). All provided wiring diagrams show 120VAC wiring colors and method. Please refer to 277VAC dimmer manufacturer installation instructions for 277VAC wiring diagrams.

† The absence of a dimmer from the lists above does not imply incompatibility. Please consult factory for compatibility inquiries.