



Tributaire Conference Tables



Tributaire conference tables exude sophistication and professionalism. Available in three shapes with power options to assist with virtual and in-person meetings.

Focusing and Creating

Tributaire conference tables set the stage for productive discussions and strategic decision-making. The flowing lines of the design instill a sense of calm, promoting an environment conducive to focused dialogue and creative thinking.

Features

- 29" standard height
- 3 top shapes: rectangle, boat, pill
- 2 edge options: 74P or Knife (knife edge on all sides regardless of shape)
- Low-profile glides only
- Optional polished aluminum base
- Optional electrical with wire management (3-prong plug OR modules including Ellora B, Nacre, Dean In-Surface)

Construction

- Standard worksurface tops are 1-1/4" thick with a high-pressure laminate surface. Laminate surface is finished with a 2mm edge in either a flat or knife edge profile.
- Base is constructed of an extruded aluminum upright mechanically fastened to a cast aluminum foot.
- Legs are connected with an oval crossmember and rectangular stringers.
- Base can be finished in polished aluminum or powder-coat.
- Adjustable glides are 1-1/2" diameter black nylon and low profile. Glides offer 1/2" of adjustability.
- Wide variety of electrical modules and grommets are standard. Grommets provide cord management from the worksurface. Electrical modules support a variety of needs with USB-A and C charging ports and simplex receptacles.
- Modules are available with a 3-prong cord.

Product Highlights



Sophisticated Finish Options

The entire base is polished aluminum, creating a high-end aesthetic, while high-end laminate options also complement your unique design vision.

Attractive Angles

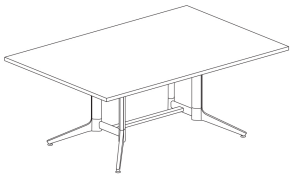
The attractive cantilevered base design offers a consistent visual identity across all Conference table shapes and sizes, creating recognizable appeal. Complemented by the I-shaped cross brace, this design ensures unwavering stability for high-profile, high-volume applications.



Elegant Edging

Two edge styles—74P and Knife—give you options for visual distinction. The poly edge band allows you to specify contrasting color options, while the knife edge effuses elegance with a naturally tapered angle all around the Conference table.

Styles



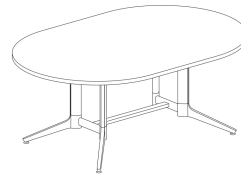
Rectangle

W60", 72", 84", 96", 120", 132",
144", 156", 168", 192", 240"
D42", 48", 60"
H29"



Boat

W60", 72", 84", 96", 120", 132",
144", 156", 168", 192", 240"
D42", 48", 60"
H29"

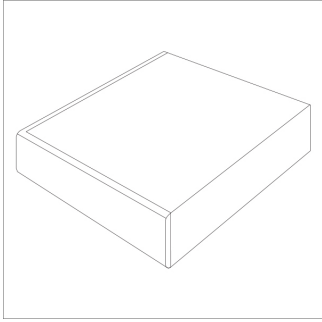


Pill

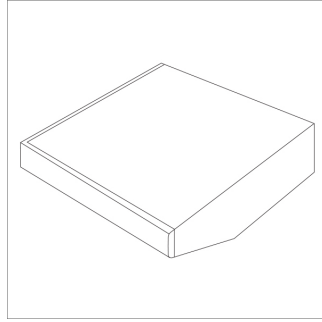
W60", 72", 84", 96", 120", 132",
144", 156", 168", 192", 240"
D42", 48", 60"
H29"

Options

Edge Styles

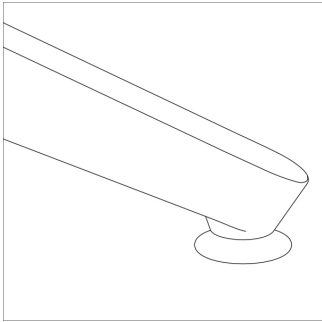


74P Edge



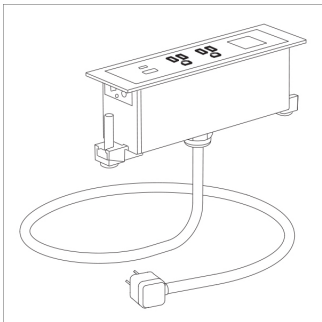
KN Edge

Feet

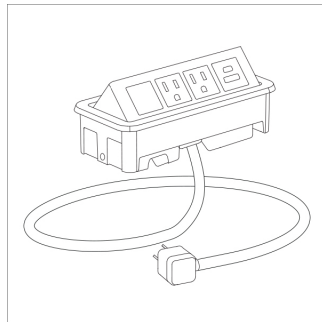


Low Profile Glides

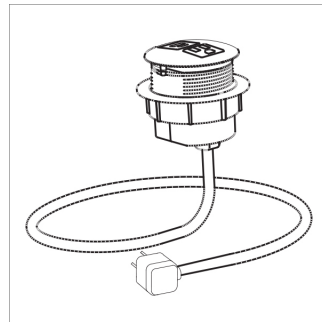
Power Accessories (3-prong plug)



Dean In-surface Module



Nacre Pop-up Module



Node In-surface Module