

**DESCRIPTION**

SloanStone® Solid Surface 3-Station Wall-Mounted Washstation Sink.

**DETAILS**

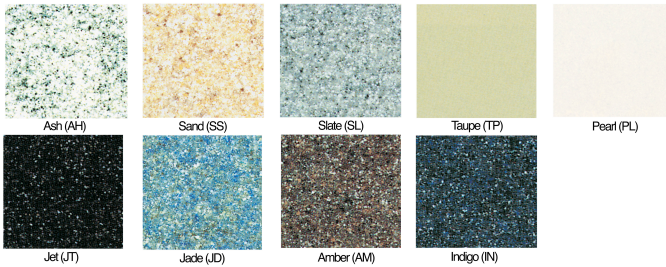
- Material: SloanStone Solid Surface
- Enclosure Type: Stainless Solid
- Width: 85 5/8" (2,175mm)

**FEATURES**

Triple Station Lavatory System with Sloan Electronic Sensor Technology with the following features:

- Lavatory constructed of Non-porous SloanStone Solid Surface Material
- Lavatory supported by a heavy duty, 14 gauge, Type 304 stainless steel, brushed stainless Pedestal with 14 gauge galvanized steel Mounting Plate
- Single continuous basin with user Comfort Curve Design
- Front access panels for easy maintenance access
- Integral Dual Drainage System
- Sloan Optima Electronic Sensor Technology for hands free operation
- Lavatory System is shipped pre-plumbed with Sloan Electronic Controls for easy installation

**COLORS**



**COMPLIANCES & CERTIFICATIONS**



(ADA Compliant, BAA Compliant, BABAA Compliant, cUPC Certified, IGC156)

**RECOMMENDED SPECIFICATION**

SloanStone Series Sink model no. EW 4X000 Washstation Style Sink. Product to be molded using SloanStone solid surface. Sloan integrated automated sensor faucets. Sink design to be ADA compliant and IAPMO certified. Supplied with enclosure.

**DOWNLOADS**

- [EW 40000 Installation Instructions](#)
- [EW 60000 Installation Instructions](#)
- [EW 70000 Installation Instructions](#)
- [EW 70000 \(Spanish\) Installation Instructions](#)
- [EW-42000/43000 Series Repair and Maintenance Guide](#)
- [Additional Downloads](#)

**NOTES**

All information contained within this document subject to change without notice.

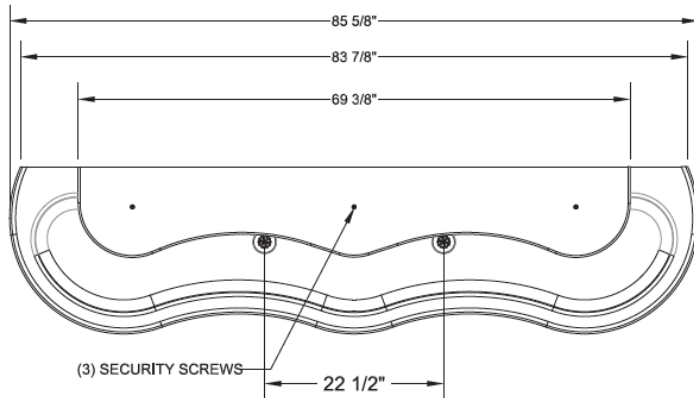
Looking for other variations of the EW-43000 product? [View the general spec sheet with all options.](#)

[Find a compatible faucet](#) for this sink.  
[Find a matching soap dispenser](#) for this sink.

**WARRANTY**

[View Warranty Information](#)

**ROUGH-IN**



 **IN COMPLIANCE WITH A.D.A. 2010**

**\*NOTE:**  
33-1/2" RIM HEIGHT SHOWN (34" MAX ADULT ADA) ADJUST DIMENSIONS FOR ALTERNATE HEIGHTS

