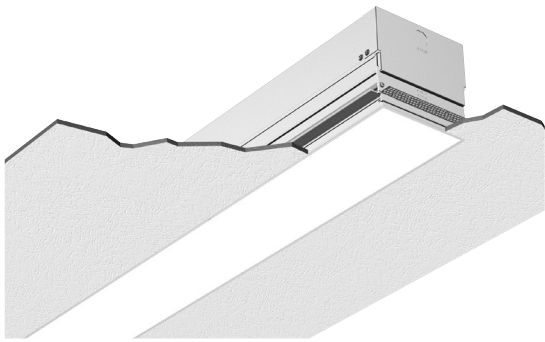


Grüv® 6"

High Efficiency Recessed Linear LED



Features

Designed to provide high-performance, visually comfortable, high efficient ambient lighting with a 6" aperture for commercial and office environments. Featuring improved extruded aluminum and steel construction, superb aesthetics, lower costs and shorter lead times. Grüv 6 HE is more effective and aesthetically appealing than many recessed linear fixtures available today. Offering 5 or 10 watts per foot. Available for gyp board or grid ceilings (TechZone compatible).

Product Overview

Type:	Recessed Lens Direct	
Wattage:	5W/ft, 10W/ft (other wattages availavle see p2)	
Color Temp:	2700K, 3000K, 3500K, 4000K; Tunable White (2700K-5700K)	
CRI:	83 or 90+ typ. (2700K, 3000K, 3500K, 4000K) 90+ (Tunable White)	
Dimming (wired):	Static White	Tunable White
	0-10V, 1% dimming (standard)	0-10V TW, 1% dimming
	Lutron LDE1 Hi-lume® 1% Soft-On/Fade-to-Black	DALI DT8, 1% digital dimming
	DALI dimming, 1% dim	
Dimming (wireless):	Enlighted Sensor	Enlighted Sensor TW
	Lutron Athena (integral wireless RF node)	Lutron Athena TW (integral wireless RF node)

PROJECT:

TYPE:

Fixture Summary *(see following pages for more information)*

Ceiling Types

4" Tech Zone	6" Tech Zone	9/16"	15/16"	Gyp Board	Millwork
No	Yes	Yes	Yes	Yes	Yes

Perimeter J-Mold
Yes

Performance Chart (4' Fixture)

Nominal Wattage/Foot	Delivered Lumens	LPW	Color Temp-CRI
5	2,320	128.7	3500K-83
10	4,490	125.1	3500K-83

Data is based on 3500K-83 IES files available on website

Data is based on 4' fixture with Designer Lens

Electrical Data

Wattage Per Foot		4'		8'	
		System Watts	Amps	System Watts	Amps
5	120V	18	0.15	36	0.30
	277V	18	0.07	41.6	0.15
10	120V	35.9	0.30	71.8	0.60
	277V	35.9	0.15	71.8	0.30

Electronic multi-volt (120-277VAC), constant current LED driver

Standard Patterns

"L"	"J"	"U"	"O"	"Z"	Wall to Ceiling	Custom*
Yes	Yes	Yes	Yes	Yes	No	Yes

*Submit drawing, consult factory



Grüv® 6" High Efficiency

Recessed Linear LED



PROJECT:

TYPE:

Ordering Information



- 1 Model**
GRUV6-HE-FLG-A16+ - exposed flanged
GRUV6-HE-FLG-GRID-A16+ - flanged, grid mount
GRUV6-HE-GB-A16+ - gyp board trimless, mud-in
GRUV6-HE-GRID-A16+ - grid mount
GRUV6-HE-IS-A16+ - independently suspended
GRUV6-HE-J/GB-A16+ - j-mold/gyp board trimless
GRUV6-HE-J/GRID-A16+ - j-mold/grid
GRUV6-HE-J/IS-A16+ - j-mold/independently suspended

- 2 Optics**
PL - performance lens
DL - designer lens

- 3 Wattage (per foot)**
Standard:
5 - 5W/ft
10 - 10W/ft
Optional:
3 - 3W/ft (4' minimum length required)
4 - 4W/ft (4' minimum length required), DLC listed (see additional notes below)
6 - 6W/ft
7 - 7W/ft
8 - 8W/ft
9 - 9W/ft

- 4 Color Temp-CRI**
Static White:
27 - 2700K-83 **279** - 2700K-90+
30 - 3000K-83 **309** - 3000K-90+
35 - 3500K-83 **359** - 3500K-90+
40 - 4000K-83 **409** - 4000K-90+
Tunable White:
TW9-2757 - tunable white, 90 CRI (2700K-5700K)

- 5 Finish**
HW - high reflectance matte white

- 6 Voltage**
120/277

7 Length

(Length A) Length A (used for)	(Length B) Length B (used for)	(Length C) Length C (used for)
- all patterns	- all patterns	- PU
- IND/IND-S+	- PR - 2 lengths of 2	- PZ
- CON/CON-S+		
- CUS		

- 8 Configuration**
IND¹ - individual fixture, 2' to 8' in 1' increments
IND-S+ - individual with standard plus (see pg8, for GRID or J/GRID only)
CON - continuous run > than 8', specify to nearest foot
CON-S+ - continuous run with standard plus (see pg8, for GRID or J/GRID only)
CUS - custom made to measure, +/- 1/8" of customer supplied field dimensions
Standard Patterns (see page 8 for details):
PLL - L left, (2) straights + (1) 90° corner, leg right
PLR - L right, (2) straights + (1) 90° corner, leg left
PU - U shape, (3) straight lengths + (2) 90° corners
PR - Rectangle, (4) straight lengths + (4) 90° corners
PZ - Z shape, (3) straight lengths + (2) 90° corners
PWC - wall to ceiling (1) 90° Corner joining 2 segments
Custom Patterns:
PC - please provide drawings and consult factory

- 9 Drivers/Controls**
Wired - Static White:
0-10V - 1% analogue dimming, 120-277VAC, Dim to off when selected with wireless dimming control
HILUME-H-ECO - Lutron LDE1 Hi-lume® 1% Soft-On/ Fade-to-Black
DALI - DALI Dimming 120-277VAC, 1% dim
Wired - Tunable White:
0-10V TW - 1% dimming, multi-volt (120V-277V) constant current
DALI DT8 - 1% digital dimming, CCT control per DALI DT8, (120V-277V) constant current
Wireless - Static White:
ENLS-SR - Enlighted sensor, energy metering
ENLS-O10 - Enlighted sensor with controller unit
AWN-R-WH-SR - Lutron Athena wireless node, RF only, white, D4i/DALI-2
AWN-R-BL-SR - Lutron Athena wireless node, RF only, black, D4i/DALI-2
AWN-R-WH-O10 - Lutron Athena wireless node, RF only, white, 0-10V
AWN-R-BL-O10 - Lutron Athena wireless node, RF only, black, 0-10V
AWN-S-OCC-WH-SR - Lutron Athena wireless node, Occupancy & Daylight sensor, white, D4i/DALI-2
AWN-S-OCC-BL-SR - Lutron Athena wireless node, Occupancy & Daylight sensor, black, D4i/DALI-2
Wireless - Tunable White:
ENLS-SR-TW - Enlighted sensor, energy metering
AWN-R-WH-SR-TW - Lutron Athena wireless node, RF only, white, D4i/DALI-2
AWN-R-BL-SR-TW - Lutron Athena wireless node, RF only, black, D4i/DALI-2
AWN-S-OCC-WH-SR-TW - Lutron Athena wireless node, Occupancy & Daylight sensor, white, D4i/DALI-2
AWN-S-OCC-BL-SR-TW - Lutron Athena wireless node, Occupancy & Daylight sensor, black, D4i/DALI-2

- 10 Options/Accessories**
CP - Chicago Plenum (CCEA)
WHIP - 6' whip, 18/5 conductor
EMC-PF² - emergency circuit requires power feed located in last fixture section (for other locations consult factory)
PF² - Extra power feed for additional circuiting
EMB - emergency battery pack (not available for lengths under 4')

1 - Lengths less than 4' may have restrictions based upon wattage, lengths, drivers or other options.

2 - Not available with IND (individual) configuration.

* The "A" refers to the sequential revision in a year and "XX" refers to the year of update. Updates coincide with improved performance while not changing the overall fixture aesthetic and are reflected in the published performance data. Please contact your Amerlux representative for explanations of changes.

Grüv® 6" High Efficiency

Recessed Linear LED



PROJECT:

TYPE:

Specifications

Application

Commercial and retail recessed ambient lighting can be customized with made to measure lengths, patterns, ceilings or wall mounted fixtures.

Construction

Heavy gauge steel upper housing is secured to aluminum extruded trim rails. Die-formed, cold-rolled steel internal components and external mounting brackets. Numerous configurations accommodate most architectural ceiling conditions.

Optical

All lenses are snap-in, extruded acrylic, with a maximum length of 8'.

Amerlux's proprietary acrylic lens provide excellent transmission while effectively concealing source image.

PL - Performance Lens provides high efficiency with controlled lens surface brightness.

DL - Designer Lens provides flat even glow on lens. Best when lens is in direct or constant view. Such as vertical wall mounted.

LED

Amerlux's boards and patented connector design with brand name LEDs enables Amerlux fixtures to have excellent thermal management and offer a 5 year warranty. Our LED binning is within 3 MacAdam ellipse. Boards are configured for maximum flexibility resulting in even illumination no matter the fixture layout. LED boards are easily replaced in the field with just a Phillips screw driver.

Static White	Tunable White
CCT: 2700K, 3000K, 3500K, 4000K	2700K-5700K
CRI: 83 or 90+ typical	90+ (92 typ)
R9: 16 @ CRI 83; >50 @ CRI 90+	>50

Life: 50,000+ hr., > 70% of initial lumens (L70)

Electrical

Wiring: Supply wires are easily accessible through access plate on top of fixture.

WHIP: Optional factory installed 6' Greenfield whip (18/5 conductor) simplifies installation.

Standard Wattage: 5W/ft, 10W/ft.

Optional Wattages: 3W/ft, 4W/ft, 6W/ft, 7W/ft, 8W/ft, 9W/ft. (3W & 4W have a minimum length of 4'). For other wattages consult factory.

Emergency circuit via remote inverter or auxiliary emergency power supply (by others).

This product complies with IEEE C62.41 for surge endurance up to 2.5KV. Amerlux® recommends using additional surge protection with this unit (supplied by others), surge and over voltage damage is not covered under warranty.

EMC-PF - Emergency circuit requires power feed wire harness to be located in last fixture section for continuous runs. For other locations consult factory. Not available for individual (IND) configuration.

PF - Extra power feed wire harness for additional circuiting. Not available for individual (IND) configuration.

Finish

HW - High reflectance, matte white powder coat paint. Baked on finish for maximum durability and color stability.

Configurations/Lengths

IND - Individual fixtures are made of single standard lengths of 2ft to 8ft (in 1' increments). These are stand alone fixtures with matching End Caps, supplied with the mounting hardware. Lengths less than 4' may have restrictions based upon wattage, lengths, drivers or other options.

CON - Continuous runs, > 8', specified to nearest whole foot length in 1' increments. Runs made from standard lengths have End Caps at the beginning and end of run. Runs > 60' may require second power feed. Each Housing has factory installed alignment pins. Mating fixtures are easily aligned and joined with "catch and latch" mechanisms out of sight, on top of the Housing. Wiring is made fast and positive with molded quick connectors.

S+ - Standard Plus is a field cuttable filler bracket that can be used when an Individual fixture or a Continuous run isn't to the nearest foot (+3/4" to 6" max per end). See page 7 for details.

CUS - Custom made to measure runs are made to nearest 1/8" of customer supplied field measurements or drawings. Custom lengths use the same hardware for hairline joining.

PXX - Standard Patterns consist of 90° corners with standard lengths (4' to 8' in 1' increments), continuous runs or made to measure lengths. Depending upon complexity of the pattern drawings may be required from the Customer. If ordering please give overall lengths.

A'-B'-PLL - L Left - (1) 90° Corner 2 segments. Specify overall segments: A' & B'

A'-B'-PLR - L Right - (1) 90° Corner 2 segments. Specify overall segments: A' & B'

A'-B'-PR - Rectangle - (4) 90° Corners joining 4 segments. Specify overall segments: A' & B'

A'-B'-C'-PU - U shape - (2) 90° Corners joining 3 segments. Specify overall segments: A', B', & C'

A'-B'-C'-PZ - Z shape - (2) 90° Corners joining 3 segments. Specify overall segments: A', B', & C'

A'-B'-PWC - Wall to Ceiling - 90° joining bracket. Specify overall segments: A' & B'

See page 8 for layouts.

PC - Custom Patterns may use standard lengths, Made To Measure, 90° or other corners (some limitations). Please provide drawing and consult factory.

Please note: Corners have lit mitered Lens.

Mounting

Intended for use in gypsum board, 9/16" Tee grid and Screw Slot, and millwork ceilings. Wall mounting J-Molding details available. For individual, continuous row, or pattern applications.

Please note - fixtures to be installed before gypsum board ceiling.

GRUV6-HE-FLG-A16 - exposed flange, fixture into gypsum board ceiling

GRUV6-FLG-GRID-A16 - exposed flange grid mount, fixture in 9/16" or 15/16" Flat Tee ceilings.

GRUV6-HE-GB-A16 - gyp trimless mud, fixture plastered in gypsum board ceiling

GRUV6-HE-GRID-A16 - grid mount, in 9/16" Screw Slot or Flat Tee ceilings (compatible with 6" TechZone™ & other 6" wide architectural ceiling systems)

GRUV6-HE-IS-A16 - independently suspended, fixture in wood ceiling

GRUV6-HE-J/GB-A16 - J mold/gyp trimless, plastered in ceiling - J Channel wall side

GRUV6-HE-J/GRID-A16 - J mold/grid, in 9/16" Screw Slot or Flat Tee ceilings - J Channel wall side

GRUV6-HE-J-IS-A16 - J mold/independently suspended in ceiling - J Channel wall side.

Options

EMB - Emergency battery pack - 10W output power, 90 min of illumination time, up to 1300 lm of initial light output. Illuminated test-switch/charging indicator light is provided. Wattage consumption by EM: 2.5W/ft (4ft fixture), 1.66W/ft (6ft fixture), 1.25W/ft (8ft fixture). Request can be made to light up 4ft section on 8ft unit.

Certifications

Approved to UL standards for damp locations as tested by CSA

Intended for indoor use only

IC rated

Chicago Plenum (CCEA) optional

Warranty

Amerlux's 5 year limited warranty. Please consult Amerlux website for details.

Grüv® 6" High Efficiency

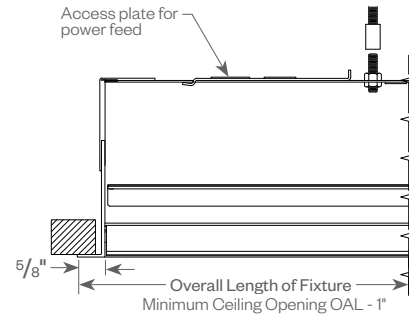
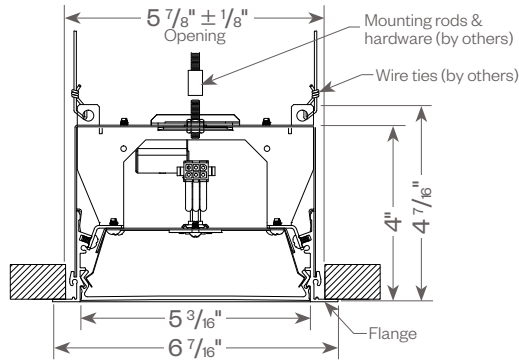
Recessed Linear LED



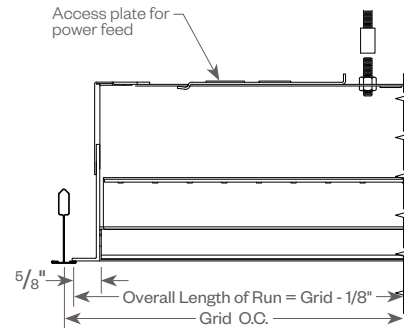
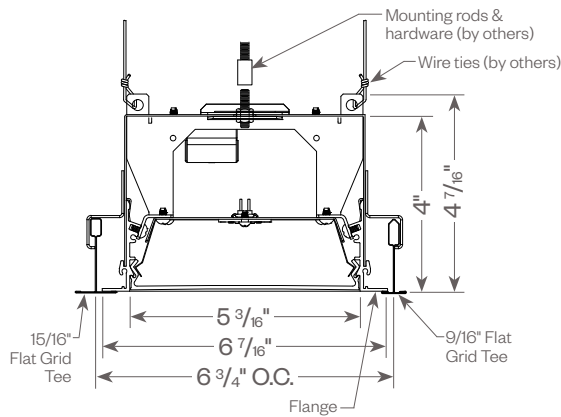
PROJECT:

TYPE:

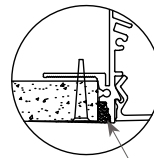
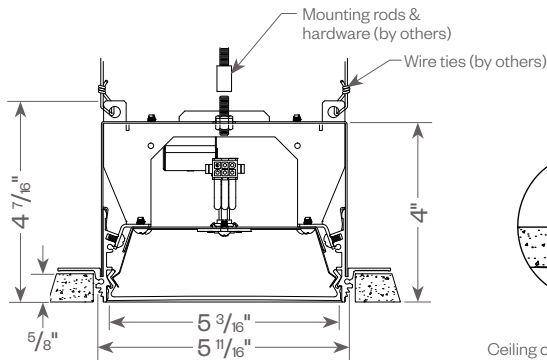
GRUV6-HE-FLG (exposed flange)



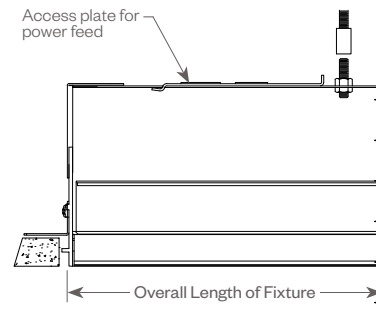
GRUV6-HE-FLG-GRID (flanged, grid mount)



GRÜV6-HE-GB (gyp board trimless mud-in)



Ceiling contractor to spackle, feather and sand at ceiling interface.



Grüv® 6" High Efficiency

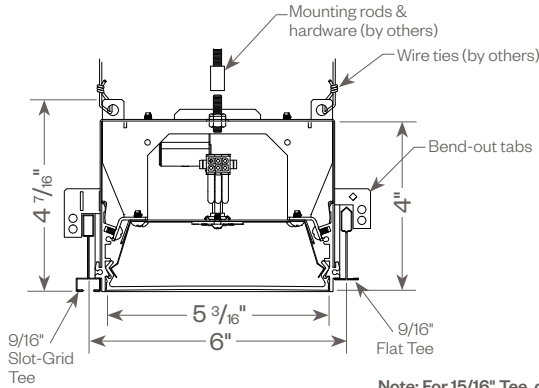
Recessed Linear LED



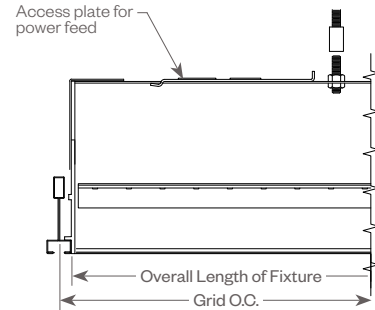
PROJECT:

TYPE:

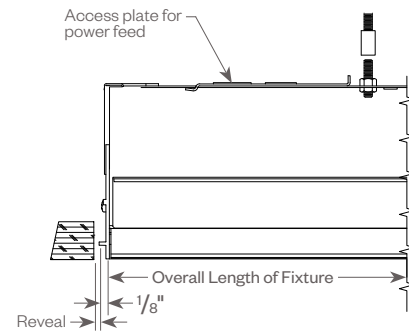
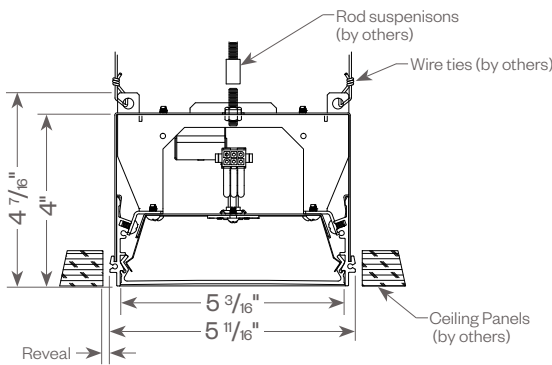
GRÜV6-HE-GRID (grid mount)  Compatible (see pg 7) 6" TechZone compatible



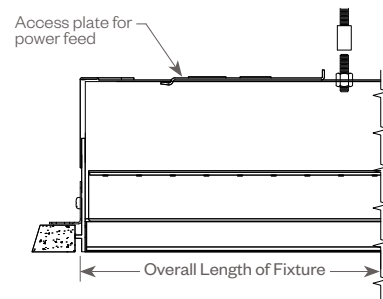
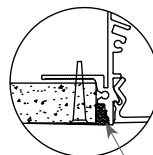
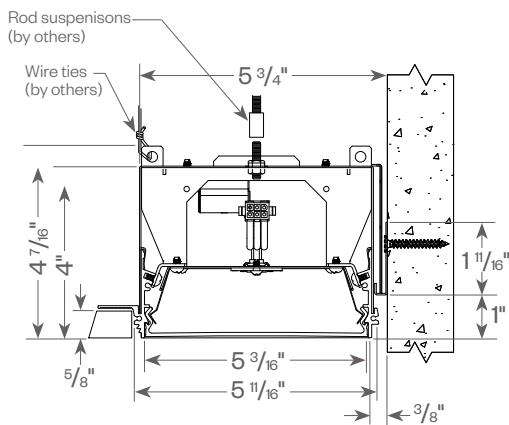
Note: For 15/16" Tee, consult factory



GRÜV6-HE-IS (independently suspended)



GRÜV6-HE-J/GB (j-mold/gyp board trimless)



Grüv® 6" High Efficiency

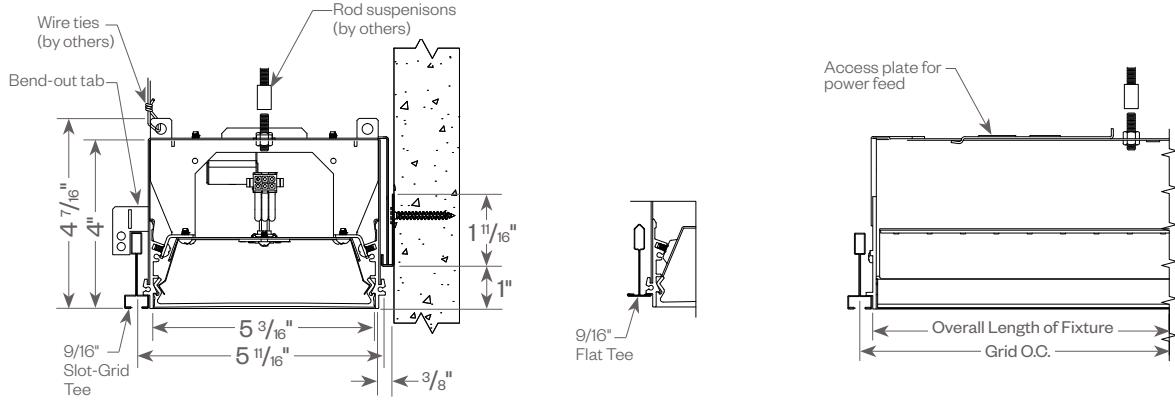
Recessed Linear LED



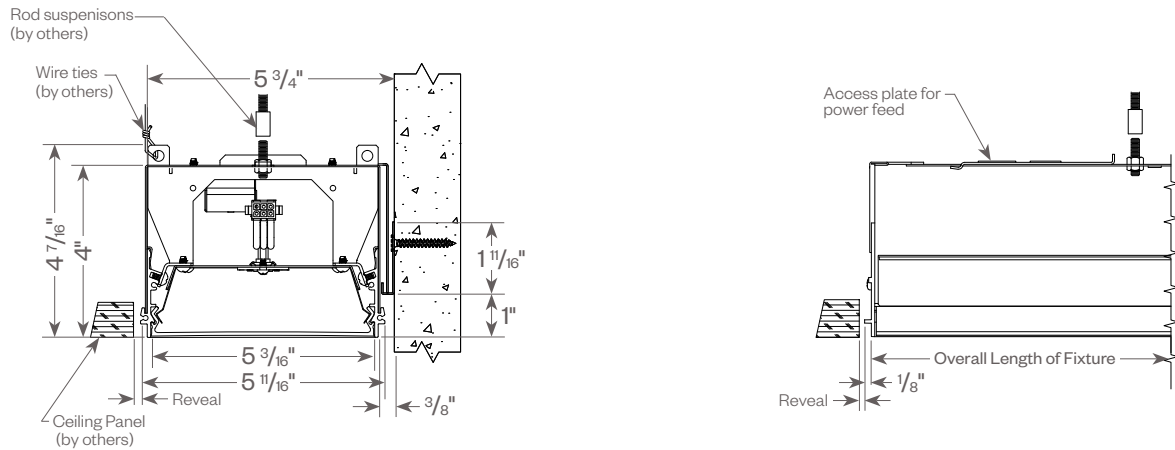
PROJECT:

TYPE:

GRÜV6-HE-J/GRID (j-mold/grid mount)  Compatible (see pg 7)



GRÜV6-HE-J/IS (j-mold/independently suspended)



Grüv® 6" High Efficiency

Recessed Linear LED



PROJECT:

TYPE:

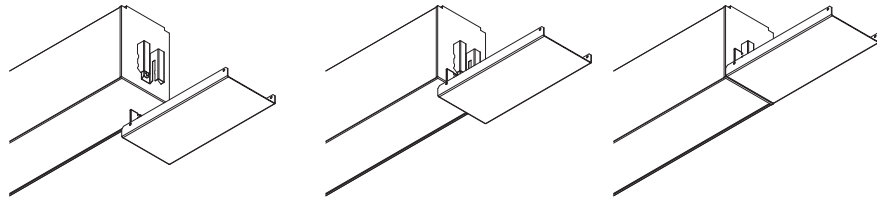


STANDARD PLUS (FILLER):

Whenever a continuous run is less than a foot to the next full foot length consider ordering Standard Plus field cuttable bracket for a perfect look. Fits 9/16" Slot Grid and 9/16" T grid. It snaps in place easily from below and gets you close to the wall with a standard fixture. Saves time and money compared to made-to-measure. (max length: 6")

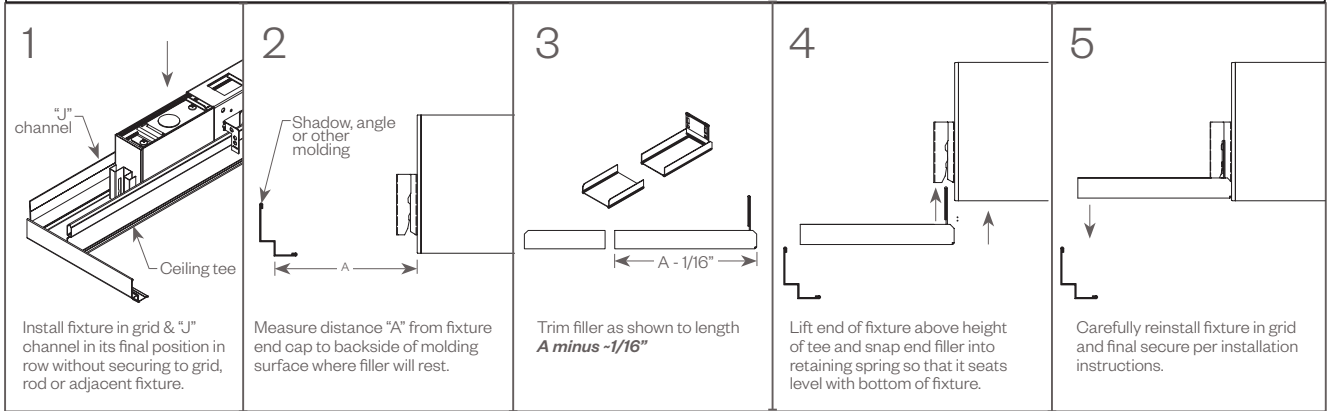


GRID VERSION



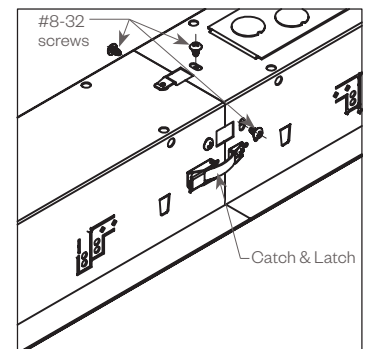
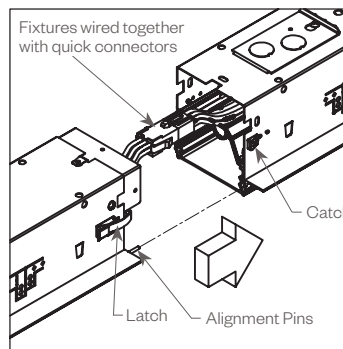
NOTE: Use with GRUV6HE-GRID and GRUV6HE-J/GRID

FILLER TRIM AND INSTALLATION (GRUV 6 HE GRID SHOWN HERE)



TOOLLESS JOINING

Line up the two housings by using the alignment pins. Secure them together by using the Catch & Latch System on the side of the extrusion.

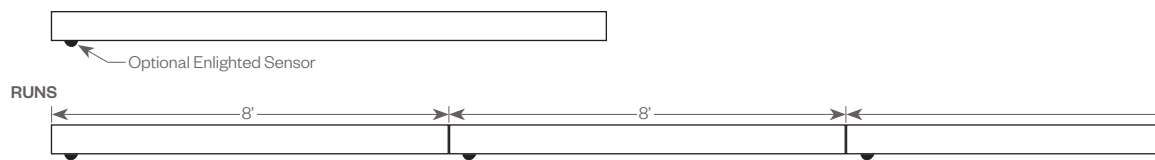


OPTIONAL SENSOR/RF NODE:

Amerlux® has partnered with control companies to create building environments that are safer, and smarter, than ever before. At the heart of our partnership is intelligent RF nodes and Smart Sensor, the most advanced digital wireless communication and sensors available today. Integrated into Amerlux products.

Minimum run length is 3' for wireless sensor and RF node.

INDIVIDUAL (MIN 3' LENGTH)



Grüv[®] 6" High Efficiency

Recessed Linear LED



PROJECT:

TYPE:

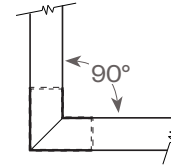
GRUV 6" PATTERNS:

Standard Patterns

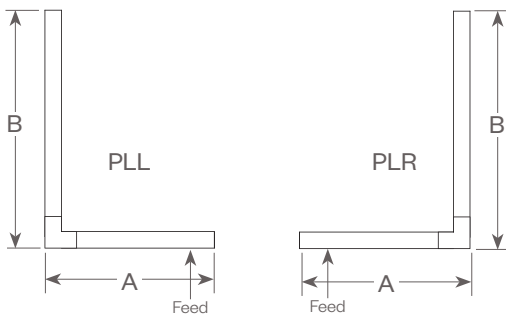
All corners are standard 90°, standard length legs.
 Use standard lengths: 4' min to 8' in 1 foot increments.
 Continuous runs must be the same length in pairs for closed configuration.

Custom Patterns

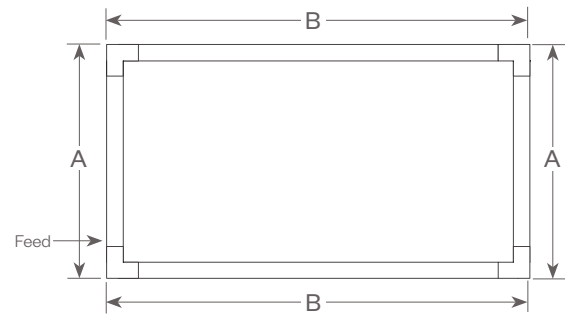
Please provide drawings of your configuration.
 Made to Measure: +/- 1/8", consult factory.
 PC - custom pattern, please provide drawings and consult factory



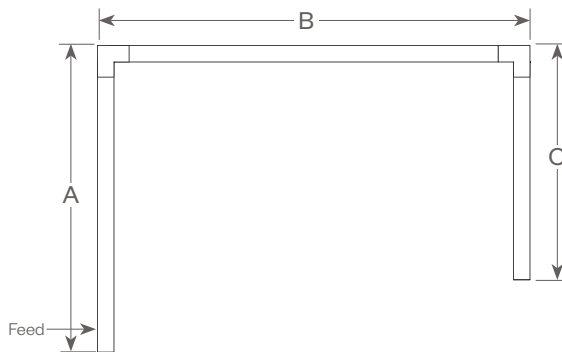
Gruv 6 Lens
Mitered Lens



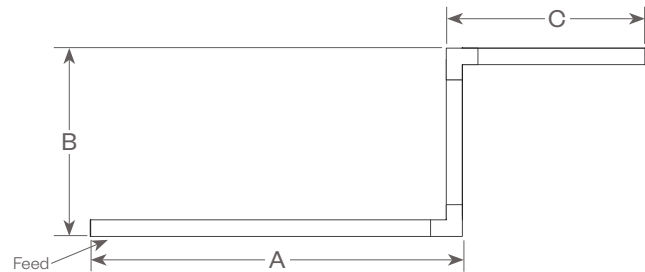
PLL - L Left, (2) straights + (1) 90° corner, leg right
PLR - L Right, (2) straights + (1) 90° corner, leg left
 Provide overall lengths: A' & B'
 Nomenclature: A-B-PLL A-B-PLR



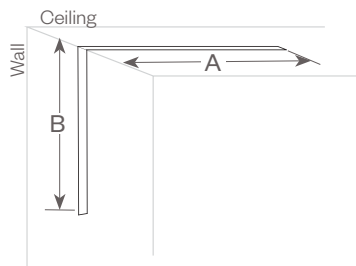
PR - Closed Rectangle, (4) straight lengths + (4) 90° corners
 Provide overall lengths: A' & B'
 Nomenclature: A-B-PR



PU - Open U, (3) straight lengths + (2) 90° corners
 Provide overall lengths: A', B' & C'
 Nomenclature: A-B-C-PU



PZ - Open Z, (3) straight lengths + (2) 90° corners
 Provide overall lengths: A', B' & C'
 Nomenclature: A-B-C-PZ



PWC - Wall to Ceiling - 90° joining bracket, 12" leg length standard
 Provide overall lengths: A' & B'
 Nomenclature: A-B-PWC

Grüv® 6" High Efficiency

Recessed Linear LED



PROJECT:

TYPE:

FIXTURE DATA:

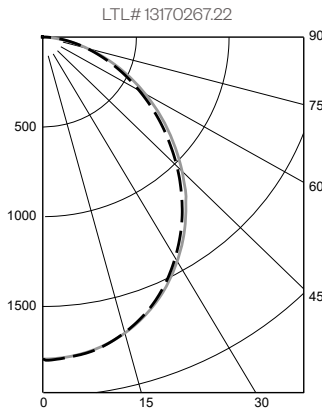
MULTIPLYING FACTORS: (Multiplying Factor is based on 3500K-83 120V IES file on website)

Wattage:	3W	4W	5W	6W	7W	8W	9W	10W
Factor:	0.31	0.42	0.53	0.63	0.72	0.81	0.90	1.0

CCT Factors:					TW9
CRI	2700K	3000K	3500K	4000K	(@3500K)
83	0.92	0.97	1.0	1.02	-
90	0.81	0.84	0.86	0.89	0.86

GRÜV 6" HE PERFORMANCE LENS 10W 3500K 4FT

Total Watts: 36
Total Lumens: 4,490
Source: 120 White LED's



ZONAL LUMEN SUMMARY

Zone	Lumens	%Fixt
0-40	2174	48.4
0-60	3653	81.3
0-90	4489	100.0
90-180	0	0.0

Luminaire Efficacy = 125.1 lm/w

COEFFICIENTS OF UTILIZATION

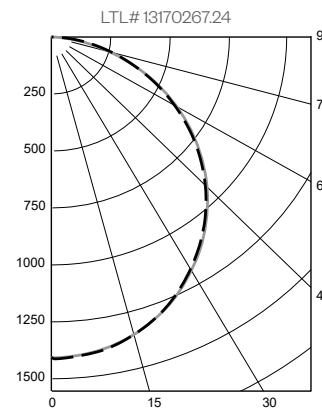
Effective Floor Cavity Reflectance 20%

RC	80			
RW	70	50	30	10
RCR				
0	119	119	119	119
1	109	105	100	97
2	100	92	85	79
3	91	81	73	67
4	84	72	63	57
5	77	65	56	49
6	71	58	50	43
7	66	53	44	38
8	62	48	40	34
9	58	45	37	31
10	54	41	33	28

Note: Values are expressed as percent of total lumen output delivered to the task surface.

GRÜV 6" HE DESIGNER LENS 10W 3500K 4FT

Total Watts: 36
Total Lumens: 3,986
Source: 120 White LED's



ZONAL LUMEN SUMMARY

Zone	Lumens	%Fixt
0-40	1777	44.6
0-60	3132	78.6
0-90	3986	100.0
90-180	0	0.0

Luminaire Efficacy = 110.7 lm/w

COEFFICIENTS OF UTILIZATION

Effective Floor Cavity Reflectance 20%

RC	80			
RW	70	50	30	10
RCR				
0	119	119	119	119
1	109	104	99	96
2	99	90	83	78
3	90	79	71	64
4	82	70	61	55
5	76	63	54	47
6	70	56	47	41
7	65	51	42	36
8	60	47	38	32
9	56	43	35	29
10	53	40	32	26

Note: Values are expressed as percent of total lumen output delivered to the task surface.

Grüv® 6" High Efficiency

Recessed Linear LED



PROJECT:

TYPE:

STATIC WHITE - DIMMING COMPATIBILITY:

Amerlux® Grüv fixtures are compatible with all major dimming protocols prevalent in the United States. Please see below for general compatibilities and wiring diagrams. Amerlux recommends testing your unique dimming configuration as the exact full configuration (Dimmer, Fixture Quantity, Voltage, etc) may affect dimming performance.

--- NOTE: INFORMATION BELOW IS FOR WIRED DIMMERS ONLY. FOR WIRELESS DIMMERS, CONSULT FACTORY ---

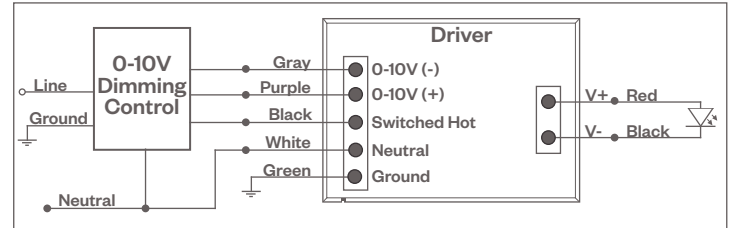
0-10V - DIMMING (Standard)

Integrates into a variety of building management and daylighting controls

Notes:

- 120V or 277V*
- Dims down to 1% light output
- Requires interface to turn off power to driver
- Consult Dimming manufacturer for installation instructions - DO NOT SHARE NEUTRALS!

0-10V Wiring Diagram



Compatible Dimmers†:

Wall Box

Lutron:

Diva - DVSTV
Maestro - MS-Z101
Nova-T - NTSTV-DV

Wattstopper:

ADF-120277

Leviton:

Renoir II

Center System

Lutron Grafikx Eye with GRX-TV1 Interface

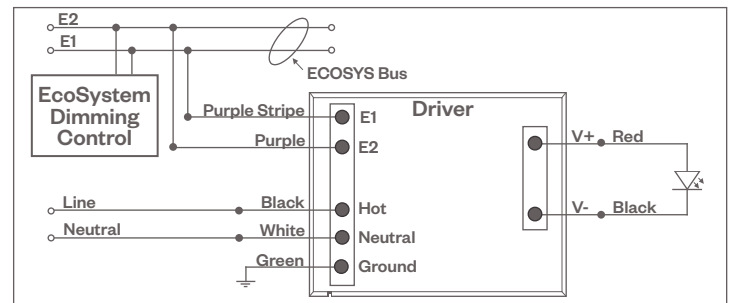
LUTRON LDE1 DIMMING

Integrates into Lutron EcoSystem building management

Notes:

- 120VAC or 277VAC*
- Dims down to 1% Soft-On/Fade-to-Black
- EcoSystem Control
- Consult Dimming manufacturer for installation instructions - DO NOT SHARE NEUTRALS!

Lutron LDE1 (HILUME-H-ECO) EcoSystem Digital Control Wiring Diagram



Compatible Dimmers†:

Lutron ECO System

Pow Pak Dimming Modules
Energi Savr Node
Grafikx Eye QS/Homeworks
QS Control Unit
Quantum Hub
Homeworks QS/My Room

Central System

Lutron EcoSystem compatible controls

Notes:

* Driver is 277VAC dimmable with appropriate dimmer (by others). All provided wiring diagrams show 120VAC wiring colors and method. Please refer to 277VAC dimmer installation instructions for 277VAC wiring diagrams.

† The absence of a dimmer from the lists above does not imply incompatibility. Please consult factory for compatibility inquiries.

Grüv[®] 6" High Efficiency

Recessed Linear LED



PROJECT:

TYPE:

STATIC WHITE - DIMMING COMPATIBILITY:

Amerlux[®] Grüv fixtures are compatible with all major dimming protocols prevalent in the United States. Please see below for general compatibilities and wiring diagrams. Amerlux recommends testing your unique dimming configuration as the exact full configuration (Dimmer, Fixture Quantity, Voltage, etc) may affect dimming performance.

--- NOTE: INFORMATION BELOW IS FOR WIRED DIMMERS ONLY. FOR WIRELESS DIMMERS, CONSULT FACTORY ---

DALI - DALI DIMMING 120V-277V

Digital control protocol allows individual fixture control

Notes:

- 120VAC - 277VAC*
- Dims down to 1% light output in most cases

Compatible Dimmers†:

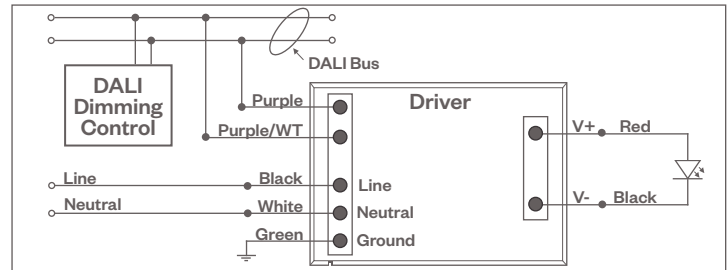
Wall Box

Leviton CD250 Contoller

Center System

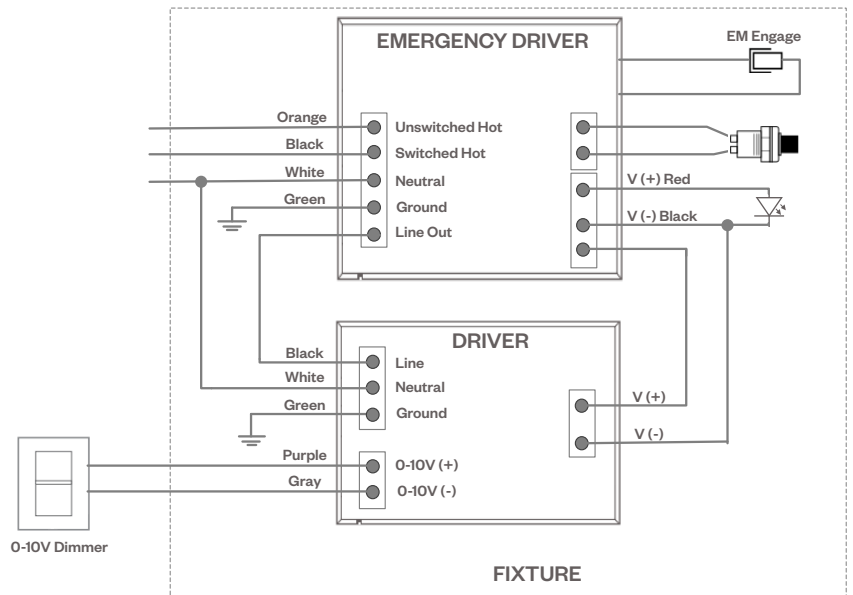
Dynalite
Fifth Light

DALI Wiring Diagram



EMERGENCY FIXTURE WITH BUILT-IN BATTERY PACK (EMB) WIRING:

Note: EMB not available on lengths under 4'.



Notes:

* Driver is 277VAC dimmable with appropriate dimmer (by others). All provided wiring diagrams show 120VAC wiring colors and method. Please refer to 277VAC dimmer installation instructions for 277VAC wiring diagrams.

† The absence of a dimmer from the lists above does not imply incompatibility. Please consult factory for compatibility inquiries.

Grüv® 6" High Efficiency

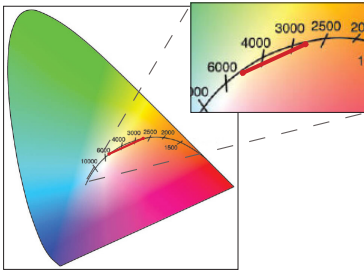
Recessed Linear LED



PROJECT:

TYPE:

TUNABLE WHITE



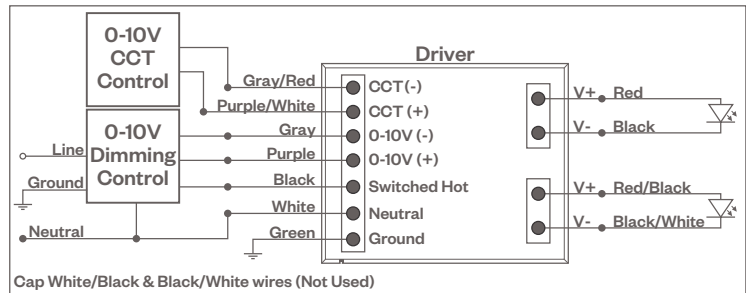
Tunable White range from 2700K-5700K, 90 CRI.
See wiring diagrams below.

TUNABLE WHITE - DIMMING COMPATIBILITY:

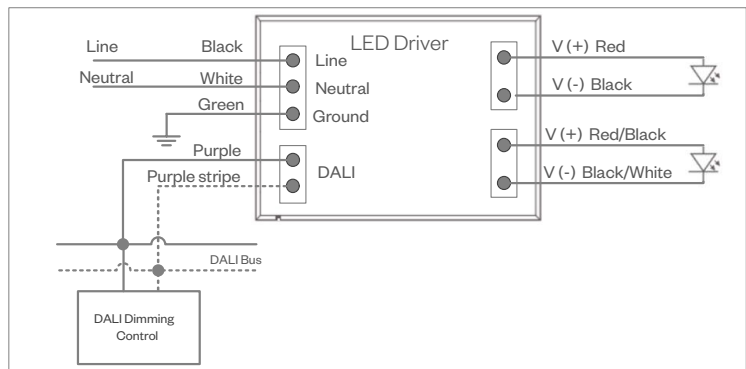
Amerlux® Gruv fixtures are compatible with all major dimming protocols prevalent in the United States. Please see below for general compatibilities and wiring diagrams. Amerlux recommends testing your unique dimming configuration as the exact full configuration (Dimmer, Fixture Quantity, Voltage, etc) may affect dimming performance.

--- NOTE: INFORMATION BELOW IS FOR WIRED DIMMERS ONLY. FOR WIRELESS DIMMERS, CONSULT FACTORY ---

0-10V Wiring Diagram



DALI DT8 Wiring Diagram



Notes:

* Driver is 277VAC dimmable with appropriate dimmer (by others). All provided wiring diagrams show 120VAC wiring colors and method. Please refer to 277VAC dimmer installation instructions for 277VAC wiring diagrams.

† The absence of a dimmer from the lists above does not imply incompatibility. Please consult factory for compatibility inquiries.