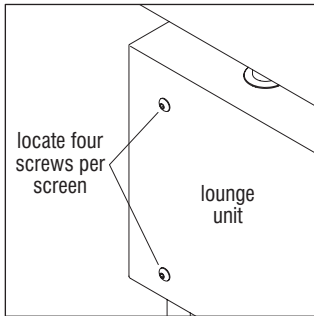


# Assembly Instructions ■

## Hub® Modular Seating

Fabric Screen Kit

June 2023



Detail A

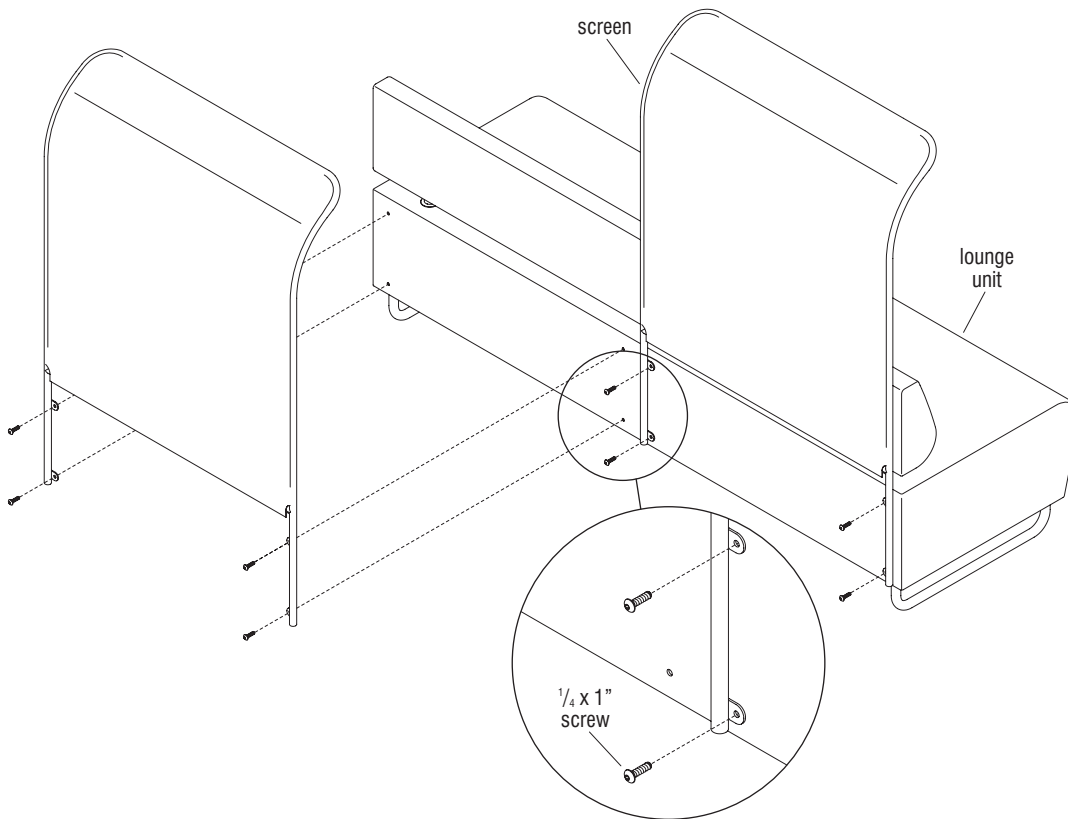


Figure 1

Detail B

### Hub Screen Overview

The Hub fabric screen kit consists of; One fully assembled steel tubular frame, covered in fabric. Four screws for mounting (already installed in lounge).

Screens come in two sizes, 26" and 39". Both sizes measure just short of the full width of any single lounge. Two each of the 39" screens are used for the 78" long Sofa models.

### Tools Required

- #2 Phillips driver bits
- Power drill driver

### Hub Screen Assembly

1. Locate the  $\frac{1}{4} \times 1$ " mounting screws, factory installed to the back of the lounge unit (Detail A).
2. Using a screwdriver and #2 bit, remove all screws. Use these screws to mount the screens to the backs of the lounges as shown (Figure 1 & Detail B).



Assemble units as described herein only. To do otherwise may result in instability. All screws, nuts and bolts must be tightened securely and must be checked periodically after assembly. Failure to assemble properly, or to secure parts may result in assembly failure and personal injury.