



HUB[®] LOUNGE FURNITURE

PRICE LIST

EFFECTIVE FEBRUARY 1, 2024
800.424.2432



Ordering Customer's Own Material (C.O.M.) Upholstery	
Information	3

Hub®	
General Information	5
Product Color Options	9
Lounge Seating	10
Tables	14
Screens and Accessories	15



Customer's Own Material ■

Specifications Form

January 2023

How to Specify

As a standard procedure, KI applies seating upholstery as swatched by the textile distributor. Reference distributor's website. Upholstery that is required to be applied differently than is swatched, will need a Product Modification Request written specifying the direction the upholstery is to be applied.

Seating upholstery requiring specific positioning of intricate patterns or patterns repeats on seats and backrests, will need a Product Modification Request written including a sketch noting the specific requirements, as in Diagram A.

C.O.M. must be supplied in continuous yardage.

Yardage requirements listed in price list are based on plain goods 54" wide. Fabrics less than 54" wide, or those requiring matching (stripes, plaids, prints, large patterns) will require additional yardage based on the fabric used and the item ordered. Consult matrix below for additional yardage needed.

C.O.M. INCREASE MATRIX (yardage matrix is also applicable to any reservations of KI Ingrade, Pallas, or K.O.M. upholsteries).

This table is a general guide.

FABRIC WIDTH	PLAIN FABRIC	UNDER 7"	8"-13"	14"-21"	22"-27"	28"-33"	34"-40"	41"-48"
		REPEAT	REPEAT	REPEAT	REPEAT	REPEAT	REPEAT	REPEAT
54"	0	20%	25%	30%	45%	55%	70%	80%
51"-53"	15%	25%	30%	35%	50%	60%	80%	90%
48"-50"	20%	30%	35%	40%	55%	65%	85%	95%
45"-47"	30%	45%	50%	55%	60%	80%	90%	100%
36"-44"	50%	65%	70%	75%	80%	100%	110%	120%

Fabric with double repeat: If using a fabric with a double repeat, please follow this formula: take the total amount of the larger and half of the smaller repeat; add together to find the correct overall repeat. Example: 10" vertical with 14" horizontal would be $14 + \frac{10}{2} = 19$.

If fabric comes in on multiple rolls, one additional yard per roll needs to be added to the yardage requirement.

Leather hides must be a minimum of 50 square feet of usable material. The outer edges cannot be calculated as square feet or yardage. To determine square footage, multiply unit yardage by 18 square feet to obtain the total square footage required per unit.

For exact production yardage requirements, call 1-800-424-2432, ext. 2707.

Production

Customer's upholstery must be approved prior to acceptance for production.

After approval, a memo swatch of the C.O.M. from the textile distributor must accompany the order. KI assumes no responsibility for wear, defects, or performance of C.O.M. or K.O.M. upholstery.

C.O.M. not received into the appropriate facility 3 weeks prior to acknowledged delivery date may go on hold. See KI C.O.M. Shipping Location listing for the correct facility address by product.

All C.O.M. must be labeled as follows:

1. Name and address
2. Your purchase order number
3. Our style number to which fabric is to be applied
4. Supplier name and fabric name, number, and color

ALL C.O.M. Shipments must be prepaid. Collect shipments will be refused.

Testing

When KI requires testing, actual yardage to upholster one chair may be required. The C.O.M. Specialist will confirm model and fabric testing requirements when applicable.

Approved test samples will be applied to the order or will be held for 6 months. After 6 months, the sample will no longer be applied to your order. For all product testing, send fabric samples to the manufacturing facility. See KI C.O.M. Shipping Location listing for the correct facility address by product.

ALL C.O.M. Shipments must be prepaid. Collect shipments will be refused.

Treated Materials

If C.O.M. requires processing such as a stain resistance treatment or acrylic backing, it may shrink. To prevent delays in delivery or back ordering due to shrinkage, please have your processor verify measurement after processing and assure adequate yardage shipped.

Split Orders

If a portion of the shipment which does not require C.O.M. application is to be processed and shipped early, KI will enter the order immediately at your request. These split shipments are subject to minimum order changes.

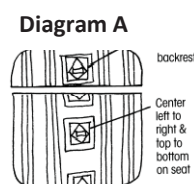
Excess Upholstery Material

KI will dispose of excess upholstery material at the time of shipment unless expressly requested to return it with the product shipment.

Cancelled or Changed Orders

KI assumes no responsibility for extra C.O.M. due to a change of upholstery or cancellation of an order. If it the customer's responsibility to arrange for return of the material.

Contact the C.O.M. Specialist at 1-800-424-2432, ext. 2707, with questions or to request a split order





C.O.M. SHIPPING LOCATION



Architectural Walls	System 3000..... MN	Maestro Stack Chairs GB
Evoke..... MN	Universal Overheads..... MN	Medical & Laboratory Stools..... OM
Genius Walls..... MN	Wireworks MN	MyPlace Lounge Seating HN
	Unite..... MN	MyWay Seating..... HN
Casegoods		Oath Task Chairs and Stools..... GB
Aristotle Tackboards..... MN	Residence Hall Furniture	Opt4 GB
Likha Tackboards..... MN	RoomScape Furniture MN	Pilot Task Chairs..... OM
		Promenade Seating System BW
Classroom Furniture	Screens	Ruckus..... GB
Intellect Wave Chairs GB	All Terrain..... KP	Sela Lounge Seating HN
Learn2 GB	Connection Zone..... BW	Sift Task Chairs GB
Ruckus..... GB	True/Volition KP	Signia Task Chairs and Stools OM
	Genesis..... KP	Soltice Metal Collection..... HN
Desking	Tattoo..... MN	Soltice Multiple, Healthcare & Guest .HN
700 Series Desking KP	Universal..... BW	Soltice II Healthcare Seating..... HN
Balance Overheads MN		Sonrisa HN
Genesis Desking..... MN	Seating	Strive Multiple, Stack & Task GB
True Desking KP	400 Series Folding Chairs..... BW	Sway BW
Universal Overheads..... MN	600 Series Folding Chairs..... BW	Tattoo..... HN
WorkZone Desking MN	600 Series Stools..... BW	Torsion-on-the-Go! Nesting Chairs GB
	Affina Collection..... HN	Torsion Air Stack and Task Seating GB
Files & Storage	Altus Task Chairs..... GB	Zoetry HN
700 Series Pedestal Cushion GB	Apply Stack Chairs GB	
Connection Zone Pads..... BW	Calida Lounge Seating HN	
U-Series Pedestal Cushion..... GB	Diem Task Chairs OM	
Tattoo..... BW	Doni Collection..... GB	
	Gladly Lounge Seating VQ	
Fixed Seating	Grazie Seating GB	
Concerto Auditorium Seating BW	Hub Modular Lounge Seating HN	
Single Pedestal Seating GB	Impress Task Chairs..... OM	
Jury Base Seating..... GB	Impress Ultra Task Chairs OM	
Lancaster Auditorium Seating BW	Jessa Lounge Seating..... HN	
Sequence Seating..... GB	Jubilee Lounge Seating..... VQ	
University Seating..... GB	Katera Guest Chair..... GB	
	Kurv Benches..... HN	
Panel Systems	LaResta Day Beds HN	
All Terrain..... KP	LimeLite..... GB	
Balance Overheads MN	Lyra Lounge Seating..... HN	

KI C.O.M. Manufacturing Site Addresses:

BW

KI Bonduel
Attn: COM Storage
204 West South St.
Bonduel, WI 54107

HN

KI High Point
Attn: COM Storage
217 Feld Avenue
High Point, NC 27263

MN

KI Manitowoc
Attn: COM Storage
1400 S. 41st St.
Manitowoc, WI 54220

VQ

KI
Attn: COM Fabrics
6892 Marlin Circle
La Palma, CA 90623

GB

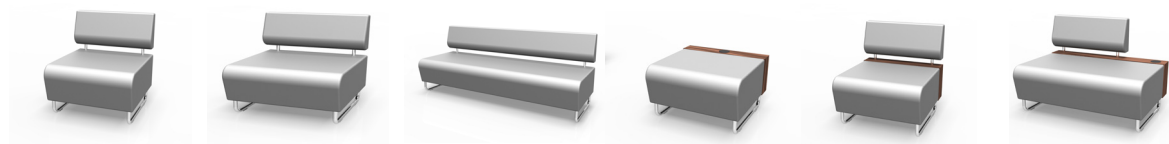
KI Green Bay
Attn: COM Storage
1687 Westminster Drive - Gate 3
Green Bay, WI 54302

KP

KI Pembroke
Attn: COM Storage
1000 Olympic Dr.
Pembroke, Ontario K8A6X7

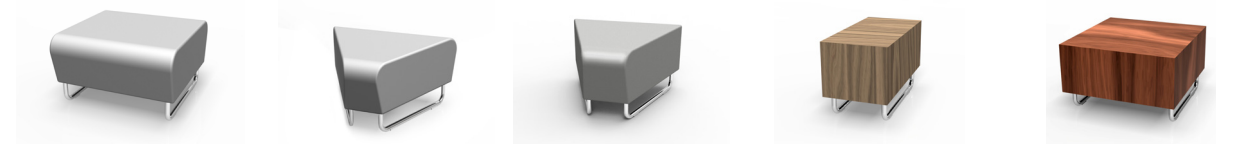
OM

KI
Attn: COM Storage
1110 S. Mildred Ave.
Ontario, CA 91761



Armless Lounge (H23) **Armless Lounge (H33)** **Armless Lounge (H43)** **Laminate Back Lounge (H20B)** **Laminate Back Lounge (H23B)** **Laminate Back Lounge (H33LB)**

General Dimensions						
Seat width	26"	39"	78"	26"	26"	39"
Seat depth	21"	21"	21"	21"	21"	21"
Seat height	17"	17"	17"	17"	17"	17"
Overall Dimensions						
Width	26"	39"	78"	26"	26"	39"
Depth	26"	26"	26"	26"	26"	26"
Height	30-1/4"	30-1/4"	30-1/4"	30-1/4"	30-1/4"	30-1/4"
Height w/Privacy Screen	57"	57"	57"	57"	57"	57"



Ottoman (H20) **Wedge (H60W)** **Wedge (H45W)** **Table (H13T)** **Table (H24T)**

General Dimensions				
Seat width	26"	34"	27-1/2"	
Seat depth	26"	23"	24"	
Seat height	17"	17"	17"	
Overall Dimensions				
Width	26"	34"	27-1/2"	13"
Depth	26"	23"	24"	26"
Height	17"	17"	17"	17"



Black/Black Power Module



Silver/White Power Module



White/White Power Module

UPHOLSTERY INFORMATION

C.O.M. Fabric

For C.O.M. fabric sent to KI-High Point on multiple rolls, add an additional yard of fabric per roll to the yardage requirements. Multiple rolls have shorter pieces of fabric on them and do not allow nesting and stacking of the fabric to achieve the best yield as is done with one large roll. This results in yardage shortages and requests for additional fabric from the client, which can delay an order. For each roll that is sent, one yard needs to be added to one of the rolls, not separately.

Fabric Disclaimer

Fabric will be applied as swatched by the fabric manufacturer. Fabric that is required to be applied differently than is swatched will need a Product Modification Request written specifying the direction the fabric is to be applied.

FINISH INFORMATION

Color Match

KI offers the additional option of color matching paint, polypropylene, or wood stain through Product Modification Requests. Contact Customer Service for details.

INFORMATION

Warranty

Refer to KI Terms & Conditions document or visit ki.com

TECHNICAL SPECIFICATIONS

Wood Frame Construction

Seat frames are constructed of $\frac{3}{4}$ " laminated hardwood plywood that is CNC cut with $\frac{5}{4}$ Maple cross rails. Ottomans are constructed of $\frac{3}{4}$ " laminated hardwood plywood. All mainframe joints are nailed and glued. Stress points are further reinforced with the use of glue blocks that are stapled or screwed in place. Plywood is assembled with notch and pocket type connections.

Sled Base Construction

All legs are constructed of 1" O.D. by 16-gauge round steel tubing welded to 14-gauge steel mounting plate and secured to the frame with sixteen #10 x $1\frac{1}{2}$ " steel pan head wood screws. Optional glides are black nylon, press-fit to the underside of the metal tubing.

Backrest Supports

Backrest supports are $1\frac{1}{8}$ " O.D. by 16-gauge steel for lounges with laminated transom, or 12-gauge steel tubing inserted over $\frac{7}{8}$ " O.D. by 16-gauge steel tubing, for all fully upholstered models. Backrest supports are fastened to the wooden lounge frames using $\frac{1}{4}$ -20 steel bolts into steel threaded inserts.

Suspension - Seats & Backs

The seat is constructed with stretch strap webbing, inner woven and stapled into position. Both seats and backs are covered with a layer of FLW (reinforced non-woven fiber) on top.

Foam – Seats & Backs

The back foam has a density of 1.5 and compression of 26 lb, is 3" thick and contour cut for consistency. The seat foam is 6" thick with a density of 2.5 and compression of 45 lb. A $\frac{1}{2}$ " super soft wrap covers the front and top of the seat.

Laminated Lounge Transom

Surface is .035" thick high-pressure laminate over 15 mm thick plywood. All joints are glued and stapled or nailed for strength.

Laminated Tables Model H24T

The table panels and top are 15 mm thick laminated plywood, with .035" thick high-pressure laminate on all sides and top. Panels are secured together using glued joints, staples and wood screws.

Gangers

UL HB rated nylon hooks and glass filled nylon pegs are mounted to 14-gauge steel plates with thread locking screws and steel inserts. The ganging plate assemblies are mounted to the wood frame using #10 x $1\frac{1}{2}$ " wood screws.

Electrical Wire Routing Conduit

Polypropylene extrusion, $1\frac{5}{8}$ " x 1" cut to length, is fastened to the underside of any lounge product with wood screws.

Ottoman & Wedge Optional Handle

An optional handle is available on HUB ottoman and wedge units. Handles are constructed of $\frac{1}{2}$ " dia. solid steel, with a powder-coated finish applied. Handles are attached to the frame using two steel $\frac{1}{4}$ -20 x 2" pan head screws into steel inserts. When specified on HUB wedges, the handle must attach to the long side of the wedge.

Accessories

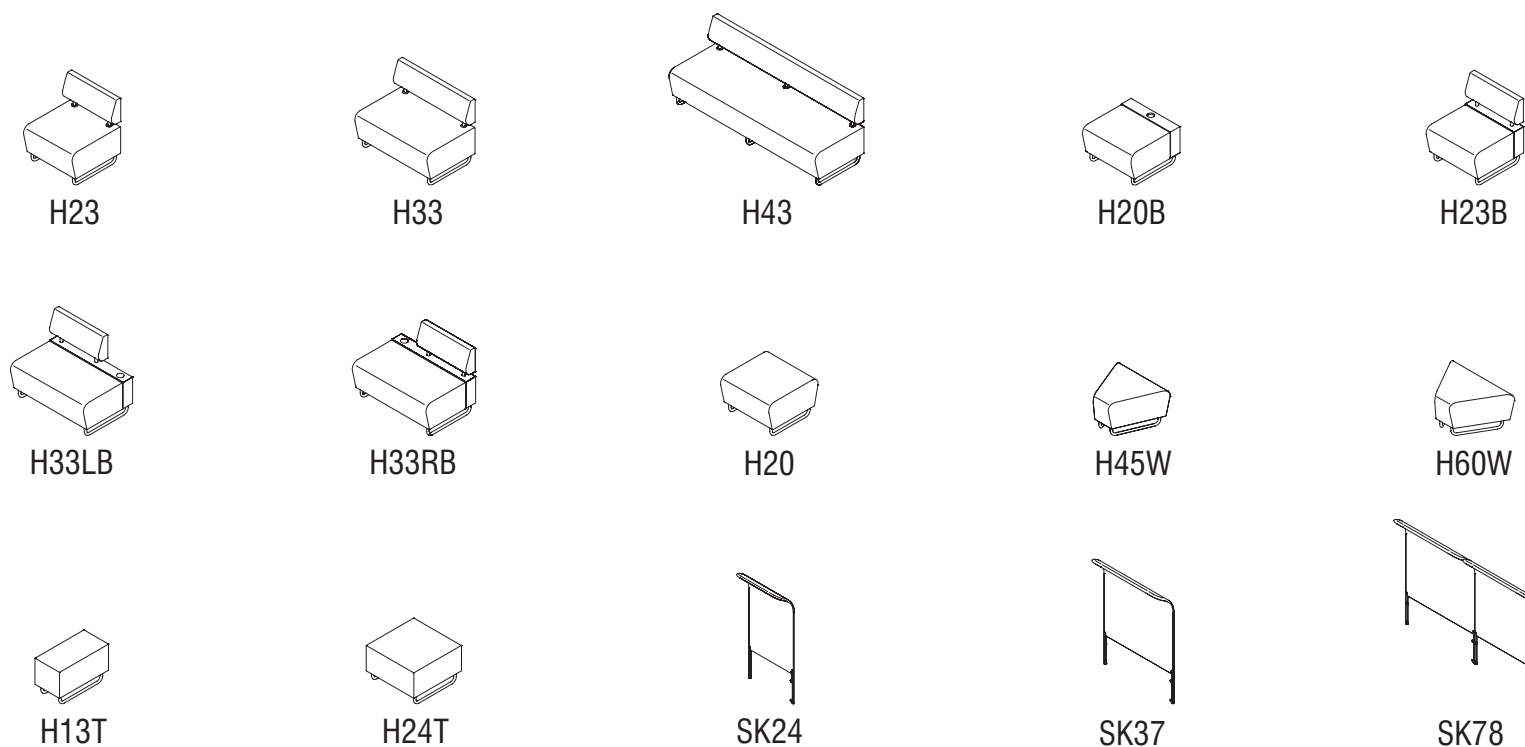
Power Module

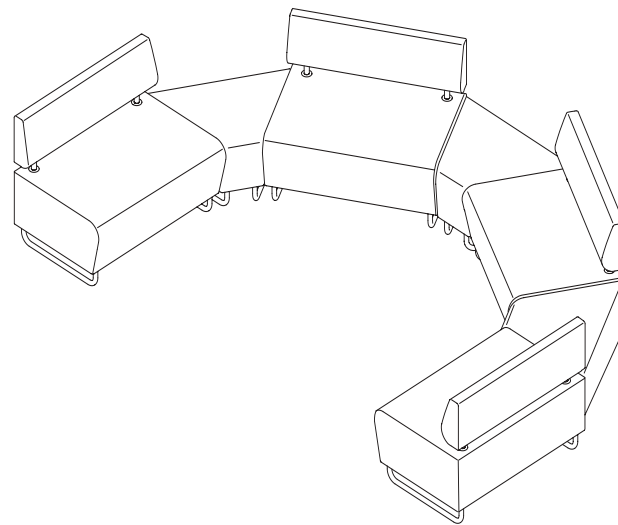
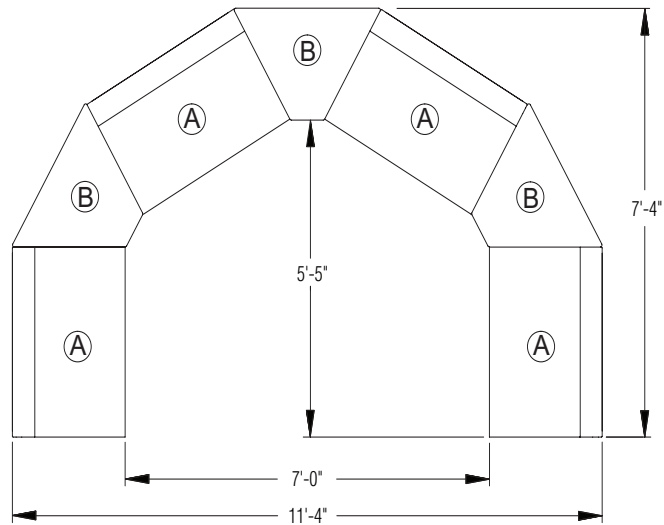
The USB/AC power module houses one 15-amp, 125 volt AC simplex receptacle with one 2.1-amp, 5 volt DC USB Type A and one Type C ports (2.0 and 3.0 compatible, no data). Provides device charging and direct AC Power. The power cord is a 14 AWG, 15-amp NEMA rated, three conductor SJT, with a three prong grounded plug. 54" of exposed cord will extend from the bottom/back of the Hub pieces. The power cord is strain relief mounted to the rear of the housing. The entire electrical power module assembly is UL listed and passes a UL spill test rating for protection against liquids. Both USB ports can power and charge separate mobile devices, simultaneously. This optional Power Module is available in three powder-coat colors: Black, White, Silver.

The Hub power module can be specified on the following Hub units: H20B, H33LB, H33RB, H13T, and H24T.

Privacy Screens

The Hub fabric screen kit consists of one fully assembled steel tubular frame, covered in fabric. Four screws secure the screen to the back of the Hub Lounge unit. The privacy screen's steel tubular frame is formed and welded using $\frac{3}{4}$ " diameter, 16-gauge steel. Screen frames are $52\frac{1}{2}$ " tall and are available in two widths, 24" and 37". Both sizes measure just short of the full width of any single lounge or loveseat model, and overall height is 57" when installed to a lounge unit. Two each of the 37" wide screen kits are used for the 78" wide sofa model. The screen fabric contains Spandex, a synthetic fiber known for its exceptional elasticity. Spandex is composed of at least 85% polyurethane by weight. The fiber content of Spandex used for the Hub Screens is 90% polyester and 10% Spandex.

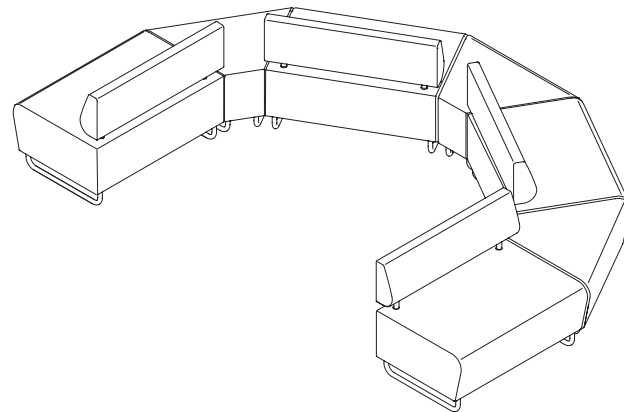
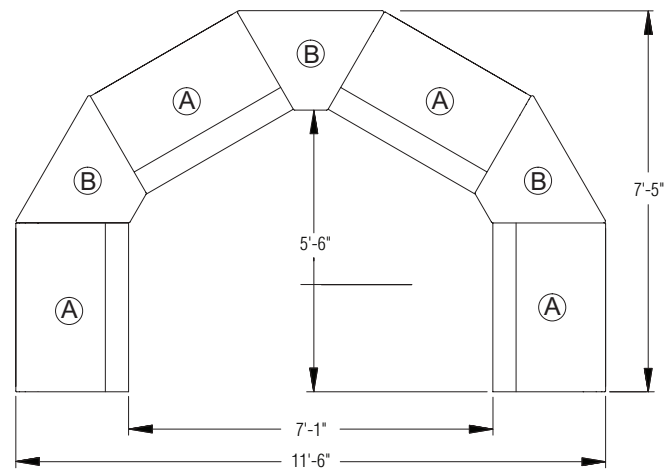




QTY	MODEL	ITEM
4	H33	A
3	H60WI	B

Inside Half Circle Configuration

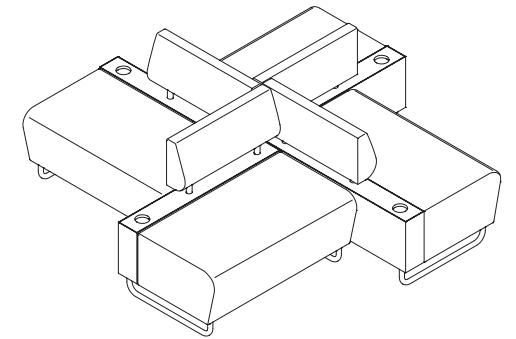
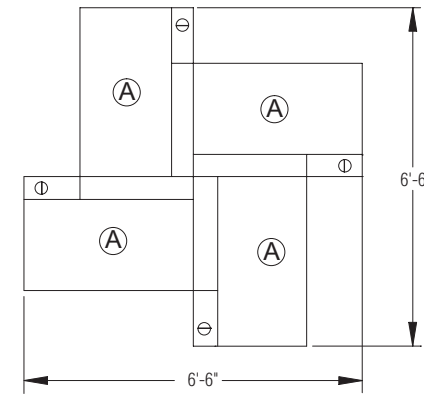
* All configurations consist of multiple individual units.
Gangers must be specified on each individual unit in order to connect units.



QTY	MODEL	ITEM
4	H33	A
3	H60W	B

Outside Half Circle Configuration

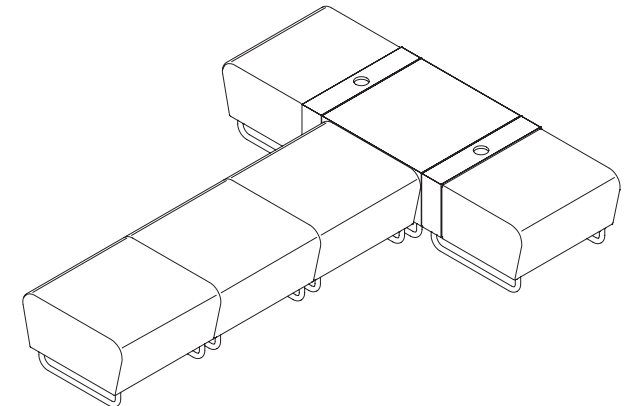
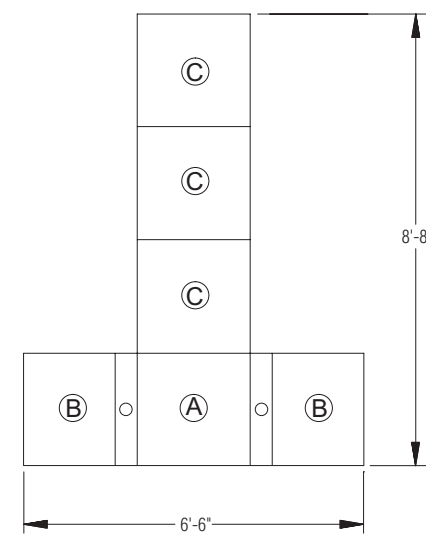
* All configurations consist of multiple individual units.
Gangers must be specified on each individual unit in order to connect units.



QTY	MODEL	ITEM
4	H33RB	A

Wheel Configuration

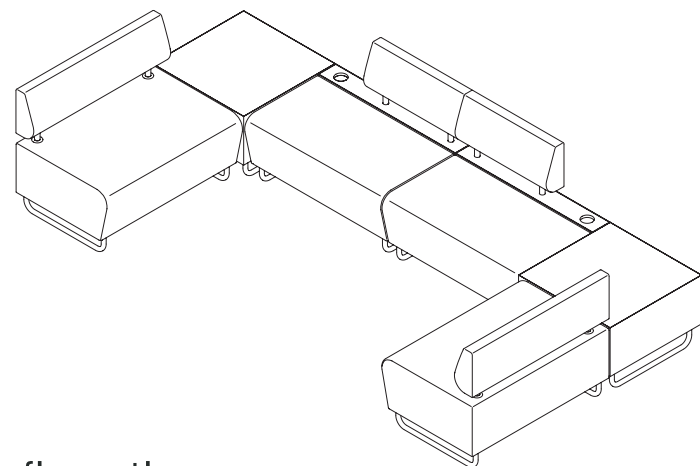
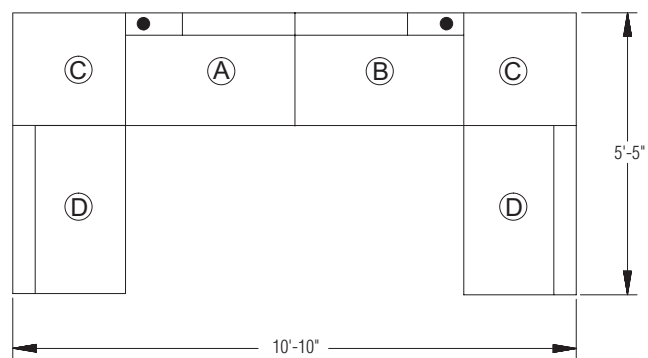
* All configurations consist of multiple individual units.
Gangers must be specified on each individual unit in order to connect units.



QTY	MODEL	ITEM
1	H24T	A
2	H20B	B
3	H20S	C

T-Shape Configuration

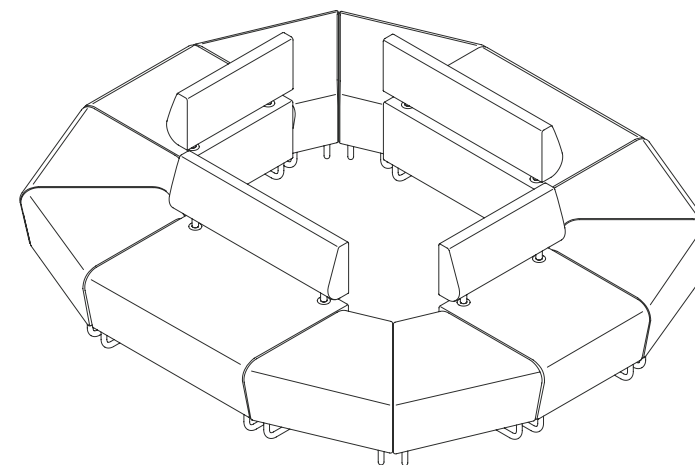
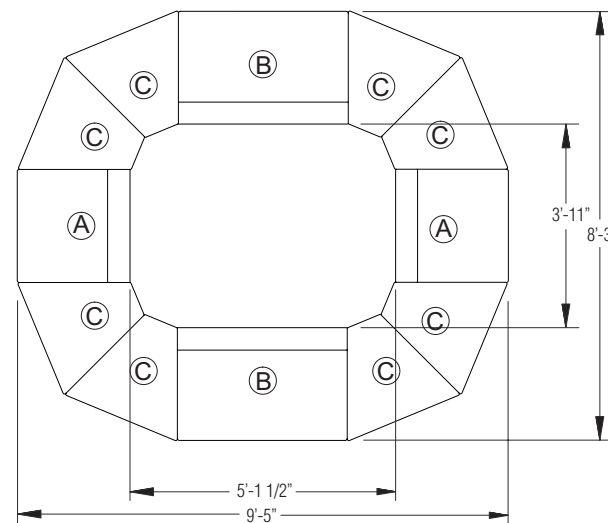
* All configurations consist of multiple individual units.
Gangers must be specified on each individual unit in order to connect units.



QTY	MODEL	ITEM
1	H33RB	A
1	H33LB	B
2	H24T	C
2	H33	D

U-Shape Configuration

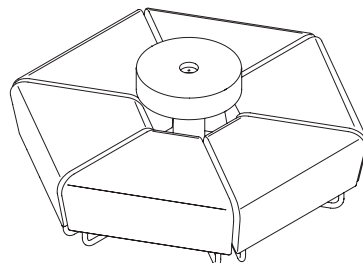
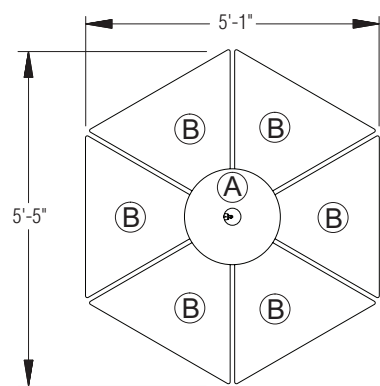
* All configurations consist of multiple individual units.
Gangers must be specified on each individual unit in order to connect units.



QTY	MODEL	ITEM
2	H23	A
2	H33	B
8	H45WO	C

Column Configuration

* All configurations consist of multiple individual units.
Gangers must be specified on each individual unit in order to connect units.



QTY	MODEL	ITEM
1	H25DT	A
6	H60WO	B

Outside Docking Configuration

* All configurations consist of multiple individual units.



Base Finish		Designer White	LDR	Grey	LGE	Misted Zephyr	LMR2
Black	BL	Dove Grey	LDG	High Rise	LHE	Monticello Maple	LMT2
Blue Grey	GR	Flax Linen	LXF	Hollyberry	LHY	North Sea	LNA2
Bronze Metallic	ZM	Florence Walnut	LFC	Island	LID	Ocean	LON2
Cayenne	CY	Forged Steel	LOL	Italian Silver Ash	LIT	Pearl Bisque	LPB2
Champagne Metallic	CM	Friston Ash	LFH	Kensington Maple	LKM	Pinnacle Walnut	LPW2
Chrome	CH	Frosty White	LFW	Lapis Blue	LLB	Pressed Linen	LPR2
Cool Grey	CG	Graphite Nebula	LGN	Markerboard White	LMK	River Cherry	LRY2
Cottonwood	CO	Grey	LGE	Misted Zephyr	LMR	Satin Stainless	LSS2
Earthen Clay	EY	High Rise	LHE	Monticello Maple	LMT	Shadow Zephyr	LSR2
Espresso Metallic	EX	Hollyberry	LHY	North Sea	LNA	Silicon evolv	LSV2
Everglade Shade	EV	Island	LID	Ocean	LON	Sterling Ash	LAZS
Flannel	FN	Italian Silver Ash	LIT	Pearl Bisque	LPB	Tailored Linen	LTL2
Glitz Metallic	GZ	Kensington Maple	LKM	Pinnacle Walnut	LPW	Titanium evolv	LTV2
Hazy Jade	HJ	Lapis Blue	LLB	Pressed Linen	LPR	White Nebula	LWL2
Honey Bee	HY	Markerboard White	LMK	River Cherry	LRY	White Sand	LWN2
Light Tone	LG	Misted Zephyr	LMR	Satin Stainless	LSS	Windsor Mahogany	LWY2
Mardi Gras	MG	Monticello Maple	LMT	Shadow Zephyr	LSR		
Misty Brown	MY	North Sea	LNA	Silicon evolv	LSV		
Nemo	NE	Ocean	LON	Sterling Ash	LAZ		
Nordic	ND	Pearl Bisque	LPB	Tailored Linen	LTL		
Poppy Red	PR	Pinnacle Walnut	LPW	Titanium evolv	LTV		
Purple Haze	PH	Pressed Linen	LPR	White Nebula	LWL		
Rainforest	RQ	River Cherry	LRY	White Sand	LWN		
Raw Jasper	RJ	Satin Stainless	LSS	Windsor Mahogany	LWY		
Rubber Ducky	RK	Shadow Zephyr	LSR				
Sand	SA	Silicon evolv	LSV				
Sky Blue	SK	Sterling Ash	LAZ				
Starlight Silver Metallic	SX	Tailored Linen	LTL				
Surf's Up	SP	Titanium evolv	LTV				
Tarragon	TQ	White Nebula	LWL				
Twilight Shadow	TI	White Sand	LWN				
Ultra Blue	UB	Windsor Mahogany	LWY				
Warm Grey	WG						
Zesty Lime	ZL						
		Table Top - Primary Laminate		Table Side - Secondary Laminate			
		Beigewood	LBZ	Beigewood	LBZ2		
		Belair	LBQ	Belair	LBQ2		
		Biltmore Cherry	LBT	Biltmore Cherry	LBT2		
		Black	LBK	Black	LBK2		
		Brighton Walnut	LBW	Brighton Walnut	LBW2		
		Canyon Zephyr	LCA	Canyon Zephyr	LCA2		
		Castle Oak	LCO	Castle Oak	LCO2		
		Casual Linen	LCU	Casual Linen	LCU2		
		Cherry Storm	LCX	Cherry Storm	LCX2		
		Classic Linen	LCI	Classic Linen	LCI2		
		Cloud Zephyr	LCL	Cloud Zephyr	LCL2		
		Cocobala	LCC	Cocobala	LCC2		
		Crisp Linen	LRI	Crisp Linen	LRI2		
		Desert Zephyr	LDZ	Desert Zephyr	LDZ2		
		Designer White	LDR	Designer White	LDR2		
		Dove Grey	LDG	Dove Grey	LDG2		
		Flax Linen	LXF	Flax Linen	LXF2		
		Florence Walnut	LFC	Florence Walnut	LFC2		
		Forged Steel	LOL	Forged Steel	LOL2		
		Friston Ash	LFH	Friston Ash	LFH2		
		Frosty White	LFW	Frosty White	LFW2		
		Graphite Nebula	LGN	Graphite Nebula	LGN2		
		Grey	LDR	Grey	LGE2		
		High Rise	LDG	High Rise	LHE2		
		Hollyberry	LXF	Hollyberry	LHY2		
		Island	LFC	Island	LID2		
		Italian Silver Ash	LOL	Italian Silver Ash	LIT2		
		Kensington Maple	LFH	Kensington Maple	LKM2		
		Lapis Blue	LLB	Lapis Blue	LLB2		
		Markerboard White	LGN	Markerboard White	LMK2		

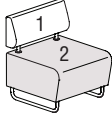
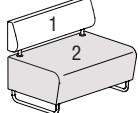
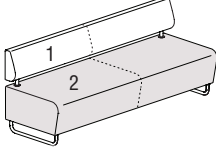
Finish Cards

View color swatches for items listed within this document.

- [Paints](#)
- [Wood/Veneer](#)
- [Molded Edges](#)
- [Hard Plastics](#)
- [Plastics/Poly](#)
- [Laminates](#)
- [Edge Styles](#)
- [Glass](#)

Certain options referenced may not be available on GSA Schedule.



Features	MODEL NUMBER								Approx. Packaged Weight	Grade C.O.M.	Grade C	Grade D	Grade E & C.O.L.	Grade F	Grade G	Grade H	Grade I	Grade J	Grade K	Grade L Leather	Grade M Leather	Moisture Barrier add to list price
	Basic Model	Non-Contrast or Fabric Contrast 1	Fabric Contrast 2	Base Finish	Ganging Option	Privacy Screen Attachment	Glide Option	Moisture Barrier														
 HUB 26 x 26 Armless Lounge • Non-contrast C.O.M = 2 yds • 1 = Back (Fabric Contrast 1) C.O.M. = 1 yd • 2 = Seat, sides (Fabric Contrast 2) C.O.M. = 2 yd	Non-contrast	H23/NC	<input type="checkbox"/> <input type="checkbox"/> <input type="checkbox"/> <input type="checkbox"/>	<input type="checkbox"/>	<input type="checkbox"/> <input type="checkbox"/> <input type="checkbox"/> <input type="checkbox"/>	<input type="checkbox"/>	<input type="checkbox"/> <input type="checkbox"/>	<input type="checkbox"/> <input type="checkbox"/>	75.0#	\$ 2185	\$ 2277	\$ 2304	\$ 2335	\$ 2354	\$ 2396	\$ 2439	\$ 2487	\$ 2591	\$ 2692	\$ 2794	\$ 3000	\$ 184
	Contrast	H23/FC	<input type="checkbox"/> <input type="checkbox"/> <input type="checkbox"/> <input type="checkbox"/>	<input type="checkbox"/> <input type="checkbox"/> <input type="checkbox"/> <input type="checkbox"/>	<input type="checkbox"/>	<input type="checkbox"/> <input type="checkbox"/> <input type="checkbox"/> <input type="checkbox"/>	<input type="checkbox"/>	<input type="checkbox"/> <input type="checkbox"/>	<input type="checkbox"/> <input type="checkbox"/>	75.0#	2259	2354	2380	2412	2434	2472	2514	2564	2666	2769	2871	3075
 HUB 26 x 39 Armless Lounge • Non-contrast C.O.M = 3 yds • 1 = Back (Fabric Contrast 1) C.O.M. = 1 yd • 2 = Seat, sides (Fabric Contrast 2) C.O.M. = 2 yd	Non-contrast	H33/NC	<input type="checkbox"/> <input type="checkbox"/> <input type="checkbox"/> <input type="checkbox"/>	<input type="checkbox"/>	<input type="checkbox"/> <input type="checkbox"/> <input type="checkbox"/> <input type="checkbox"/>	<input type="checkbox"/>	<input type="checkbox"/> <input type="checkbox"/>	<input type="checkbox"/> <input type="checkbox"/>	100.0#	\$ 2765	\$ 2918	\$ 2959	\$ 3008	\$ 3040	\$ 3104	\$ 3165	\$ 3248	\$ 3406	\$ 3568	\$ 3729	\$ 4048	\$ 199
	Contrast	H33/FC	<input type="checkbox"/> <input type="checkbox"/> <input type="checkbox"/> <input type="checkbox"/>	<input type="checkbox"/> <input type="checkbox"/> <input type="checkbox"/> <input type="checkbox"/>	<input type="checkbox"/>	<input type="checkbox"/> <input type="checkbox"/> <input type="checkbox"/> <input type="checkbox"/>	<input type="checkbox"/>	<input type="checkbox"/> <input type="checkbox"/>	<input type="checkbox"/> <input type="checkbox"/>	100.0#	2890	3042	3083	3130	3163	3225	3292	3371	3531	3694	3850	4171
 HUB 26 x 78 Armless Lounge • Non-contrast C.O.M = 5.25 yds • 1 = Back (Fabric Contrast 1) C.O.M. = 2 yd • 2 = Seat, sides (Fabric Contrast 2) C.O.M. = 3.5 yd	Non-contrast	H43/NC	<input type="checkbox"/> <input type="checkbox"/> <input type="checkbox"/> <input type="checkbox"/>	<input type="checkbox"/>	<input type="checkbox"/> <input type="checkbox"/> <input type="checkbox"/> <input type="checkbox"/>	<input type="checkbox"/>	<input type="checkbox"/> <input type="checkbox"/>	<input type="checkbox"/> <input type="checkbox"/>	160.0#	\$ 3768	\$ 4020	\$ 4085	\$ 4166	\$ 4217	\$ 4323	\$ 4425	\$ 4557	\$ 4821	\$ 5080	\$ 5346	\$ 5867	\$ 221
	Contrast	H43/FC	<input type="checkbox"/> <input type="checkbox"/> <input type="checkbox"/> <input type="checkbox"/>	<input type="checkbox"/> <input type="checkbox"/> <input type="checkbox"/> <input type="checkbox"/>	<input type="checkbox"/>	<input type="checkbox"/> <input type="checkbox"/> <input type="checkbox"/> <input type="checkbox"/>	<input type="checkbox"/>	<input type="checkbox"/> <input type="checkbox"/>	<input type="checkbox"/> <input type="checkbox"/>	160.0#	3961	4211	4275	4352	4407	4513	4616	4746	5010	5272	5535	6058

A **B** **C** **D** **E** **F** **G** **H**

HOW TO ORDER

- Indicate the following information on order form:
- Quantity of each item.
 - Model number, including options. See "How To Build a Model Number".
 - Any special service required.

Note: • The indicates that a choice is required.
 • The absence of the indicates that no choice is required.
 • Alpha-numeric characters in place of indicate that no other alternatives are available.

HOW TO BUILD A MODEL NUMBER

- A** Select basic model.
- B** Select non-contrast or fabric contrast 1. Refer to ki.com/fabrics
- C** Select fabric contrast 2. Refer to ki.com/fabrics
- D** Select base and upright finish color. Refer to the **Product Color Options** page in this price list.
- E** Select ganging option.
HNG - No gangers
HWG - Ganging; add \$76
 Two ganging assemblies shipped per unit.
- F** Select privacy screen attachments.
NPSA - No privacy screen attachments
WPSA - Privacy screen attachments (privacy screen ordered separately)

- G** Select glide option.
NGL - No glides
GNV - Nylon glides (black); add \$6

- H** Select moisture barrier.
MB - Moisture barrier
NMB - No moisture barrier
 See pricing column for moisture barrier upcharge.

NOTE

Units with privacy screens are unable to be ganged in a back-to-back configuration.

SPECIAL SERVICES

Special Carton Marking

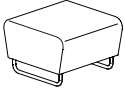
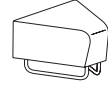
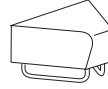

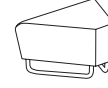
With specially marked information N/C

Shipping

Ships assembled, FOB High Point, NC 27263, freight prepaid. Freight class 175

Specifications and prices are subject to change without prior notice.



MODEL	Features	MODEL NUMBER								Approx. Packaged Weight	Grade C.O.M.	Grade C	Grade D	Grade E & C.O.L.	Grade F	Grade G	Grade H	Grade I	Grade J	Grade K	Grade L Leather	Grade M Leather	Moisture Barrier add to list price
		Basic Model	Non-Contrast or Fabric Contrast 1	Base Finish	Ganging Option	Handle	Glide Option	Moisture Barrier															
 HUB	26 x 26 Upholstered Ottoman • Non-contrast C.O.M = 2 yds • The handle (WH), when selected, is powder coated to match the sled base color. If Chrome is the sled base color, then handle will be Starlight Silver Metallic.	Non-contrast	H20	<input type="checkbox"/> <input type="checkbox"/> <input type="checkbox"/> <input type="checkbox"/>	<input type="checkbox"/>	<input type="checkbox"/> <input type="checkbox"/> <input type="checkbox"/>	<input type="checkbox"/>	<input type="checkbox"/>	<input type="checkbox"/>	50.0#	\$ 1526	\$ 1610	\$ 1633	\$ 1658	\$ 1676	\$ 1710	\$ 1745	\$ 1788	\$ 1874	\$ 1962	\$ 2053	\$ 2226	\$ 180
 HUB	45 Degree Wedge - Inside • Non-contrast C.O.M = 1.75 yds • Inside-facing while seated • The handle (WH), when selected, is powder coated to match the sled base color. If Chrome is the sled base color, then handle will be Starlight Silver Metallic.	Non-contrast	H45WI	<input type="checkbox"/> <input type="checkbox"/> <input type="checkbox"/> <input type="checkbox"/>	<input type="checkbox"/>	<input type="checkbox"/> <input type="checkbox"/> <input type="checkbox"/>	<input type="checkbox"/>	<input type="checkbox"/>	<input type="checkbox"/>	55.0#	\$ 1556	\$ 1639	\$ 1660	\$ 1689	\$ 1705	\$ 1742	\$ 1775	\$ 1818	\$ 1907	\$ 1994	\$ 2081	\$ 2256	\$ 180
 HUB	60 Degree Wedge - Inside • Non-contrast C.O.M = 1.75 yds • Inside-facing while seated • The handle (WH), when selected, is powder coated to match the sled base color. If Chrome is the sled base color, then handle will be Starlight Silver Metallic.	Non-contrast	H60WI	<input type="checkbox"/> <input type="checkbox"/> <input type="checkbox"/> <input type="checkbox"/>	<input type="checkbox"/>	<input type="checkbox"/> <input type="checkbox"/> <input type="checkbox"/>	<input type="checkbox"/>	<input type="checkbox"/>	<input type="checkbox"/>	55.0#	\$ 1556	\$ 1639	\$ 1660	\$ 1689	\$ 1705	\$ 1742	\$ 1775	\$ 1818	\$ 1907	\$ 1994	\$ 2081	\$ 2256	\$ 180
 HUB	45 Degree Wedge - Outside • Non-contrast C.O.M = 1.75 yds • Outside-facing while seated • The handle (WH), when selected, is powder coated to match the sled base color. If Chrome is the sled base color, then handle will be Starlight Silver Metallic.	Non-contrast	H45WO	<input type="checkbox"/> <input type="checkbox"/> <input type="checkbox"/> <input type="checkbox"/>	<input type="checkbox"/>	<input type="checkbox"/> <input type="checkbox"/> <input type="checkbox"/>	<input type="checkbox"/>	<input type="checkbox"/>	<input type="checkbox"/>	60.0#	\$ 1556	\$ 1639	\$ 1660	\$ 1689	\$ 1705	\$ 1742	\$ 1775	\$ 1818	\$ 1907	\$ 1994	\$ 2081	\$ 2256	\$ 180
 HUB	60 Degree Wedge - Outside • Non-contrast C.O.M = 1.75 yds • Outside-facing while seated • The handle (WH), when selected, is powder coated to match the sled base color. If Chrome is the sled base color, then handle will be Starlight Silver Metallic.	Non-contrast	H60WO	<input type="checkbox"/> <input type="checkbox"/> <input type="checkbox"/> <input type="checkbox"/>	<input type="checkbox"/>	<input type="checkbox"/> <input type="checkbox"/> <input type="checkbox"/>	<input type="checkbox"/>	<input type="checkbox"/>	<input type="checkbox"/>	60.0#	\$ 1556	\$ 1639	\$ 1660	\$ 1689	\$ 1705	\$ 1742	\$ 1775	\$ 1818	\$ 1907	\$ 1994	\$ 2081	\$ 2256	\$ 180

A **B** **C** **D** **E** **F** **G**

HOW TO ORDER

- Indicate the following information on order form:
- Quantity of each item.
 - Model number, including options. See "How To Build a Model Number".
 - Any special service required.

Note: • The indicates that a choice is required.
• The absence of the indicates that no choice is required.
• Alpha-numeric characters in place of indicate that no other alternatives are available.

HOW TO BUILD A MODEL NUMBER

- A** Select basic model.
- B** Select non-contrast or fabric contrast 1. Refer to ki.com/fabrics
- C** Select base finish color. Refer to the **Product Color Options** page in this price list.
- D** Select ganging option.
HNG - No gangers
HWG - Ganging; add \$76
Two ganging assemblies shipped per unit.
- E** Select handle.
WH - Handle; add \$140
NH - No handle
- F** Select glide option.
NGL - No glides
GNY - Nylon glides (black); add \$6

G Select moisture barrier.

- MB - Moisture barrier
 - NMB - No moisture barrier
- See pricing column for moisture barrier upcharge.

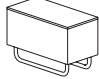
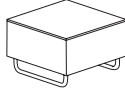
SPECIAL SERVICES

Special Carton Marking
With specially marked information N/C

Shipping
Ships assembled, FOB High Point, NC 27263, freight prepaid. Freight class 175

Specifications and prices are subject to change without prior notice.



MODEL	MODEL NUMBER							Approx. Packaged Weight	Delivered Pricing
	Basic Model	Primary Laminate Color (1)	Secondary Laminate Color (2)	Base Finish	Power Option	Ganging Option	Glide Option		
 13 x 26 Laminate Table HUBT	H13T	<input type="checkbox"/> <input type="checkbox"/> <input type="checkbox"/>	<input type="checkbox"/> <input type="checkbox"/> <input type="checkbox"/>	<input type="checkbox"/> <input type="checkbox"/>	<input type="checkbox"/> <input type="checkbox"/> <input type="checkbox"/> <input type="checkbox"/>	<input type="checkbox"/> <input type="checkbox"/> <input type="checkbox"/>	<input type="checkbox"/> <input type="checkbox"/>	55.0#	\$ 1532
 26 x 26 Laminate Table HUBT	H24T	<input type="checkbox"/> <input type="checkbox"/> <input type="checkbox"/>	<input type="checkbox"/> <input type="checkbox"/> <input type="checkbox"/>	<input type="checkbox"/> <input type="checkbox"/>	<input type="checkbox"/> <input type="checkbox"/> <input type="checkbox"/> <input type="checkbox"/>	<input type="checkbox"/> <input type="checkbox"/> <input type="checkbox"/>	<input type="checkbox"/> <input type="checkbox"/>	80.0#	\$ 1563
	A	B	C	D	E	F	G		

HOW TO ORDER

- Indicate the following information on order form:
- Quantity of each item.
 - Model number, including options. See "How To Build a Model Number".
 - Any special service required.

Note:

- The indicates that a choice is required.
- The absence of the indicates that no choice is required.
- Alpha-numeric characters in place of indicate that no other alternatives are available.

HOW TO BUILD A MODEL NUMBER

- A** Select basic model.
- B** Select primary laminate color. Primary laminate selection is for top. Refer to the **Product Color Options** page in this price list.
- C** Select secondary laminate color. Secondary laminate selection is for side panels. Refer to the **Product Color Options** page in this price list.
- D** Select base finish color. Refer to the **Product Color Options** page in this price list.
- E** Select power option.

NP	- No power
WPBL	- Black power module; add \$378
WPSL	- Silver power module; add \$378
WPWH	- White power module; add \$378
- F** Select ganging option.

HNG	- No gangers
HWG	- Ganging; add \$76

 Two ganging assemblies shipped per unit.
- G** Select glide option.

NGL	- No glides
GNV	- Nylon glides (black); add \$6

SPECIAL SERVICES


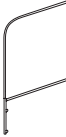

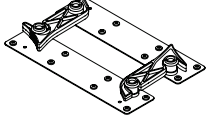
Special Carton Marking

With specially marked information N/C

Shipping
Ships assembled, FOB High Point, NC 27263, freight prepaid. Freight class 175

Specifications and prices are subject to change without prior notice.



MODEL	MODEL NUMBER		Approx. Packaged Weight	Delivered Pricing
	Basic Model	Privacy Screen Color		
 HUBA Privacy Screen for 26" Wide Units • Privacy screens are 57" high when attached to a Hub® seat • Fits chair models (H23, H20B, H23B)	SK24	<input type="checkbox"/> <input type="checkbox"/> <input type="checkbox"/>	40.0#	\$ 1400
 HUBA Privacy Screen for 39" Wide Units • Privacy screens are 57" high when attached to Hub® seating • Fits loveseat models (H33, H33RB, H33LB)	SK37	<input type="checkbox"/> <input type="checkbox"/> <input type="checkbox"/>	55.0#	\$ 1510
 HUBA Privacy Screen for 78" Wide Units • Privacy screens are 57" high when attached to Hub® seating • Fits sofa models (H43)	SK78	<input type="checkbox"/> <input type="checkbox"/> <input type="checkbox"/>	90.0#	\$ 3021
 HRDPT Ganger Assembly • Order one ganger assembly for each intersecting point • Each ganger assembly includes two identical sets of component parts to join two Seating models together	GNGR.ASSM		2.1#	\$ 72

A

B

HOW TO ORDER

- Indicate the following information on order form:
- Quantity of each item.
 - Model number, including options. See "How To Build a Model Number".
 - Any special service required.

Note: • The indicates that a choice is required.
 • The absence of the indicates that no choice is required.
 • Alpha-numeric characters in place of indicate that no other alternatives are available.

HOW TO BUILD A MODEL NUMBER

- A** Select basic model.
B Select privacy screen fabric. Refer to the **Product Color Options** page in this price list.

SPECIAL SERVICES

Special Carton Marking

With specially marked information N/C

Shipping

Ships assembled, FOB High Point, NC 27263, freight prepaid. Freight class 175

Specifications and prices are subject to change without prior notice.



1330 BELLEVUE STREET
GREEN BAY, WI 54302
800.424.2432 / KI.COM

KI is a trusted expert for furniture and wall systems around the globe.
USA | CANADA | MEXICO | UK | EUROPE | ASIA | MIDDLE EAST
© 2023 Krueger International, Inc. All Rights Reserved.