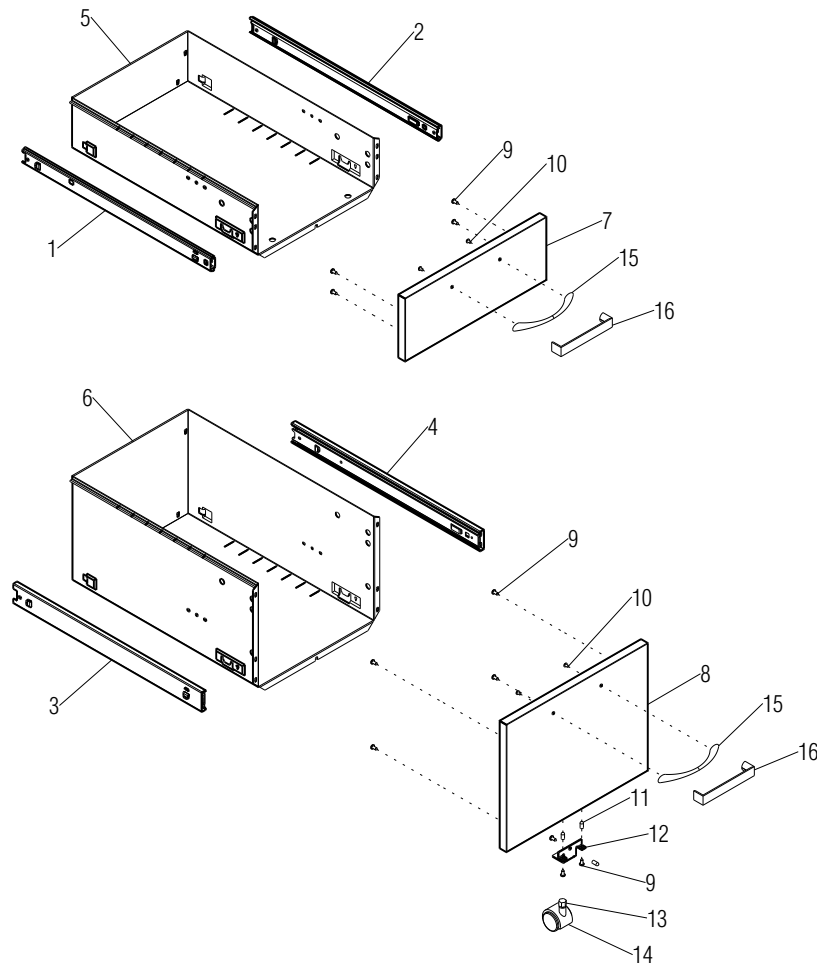


Parts Diagram

U-Series® Pedestal
Drawers

September 2024



* = Select Color. KI customer service must indicate paint color code on Order Line Note in BPCS.

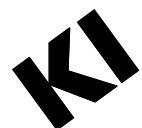
Arc Nickel Handle is standard

See price list for counterbalance weights when converting to File/File configuration.

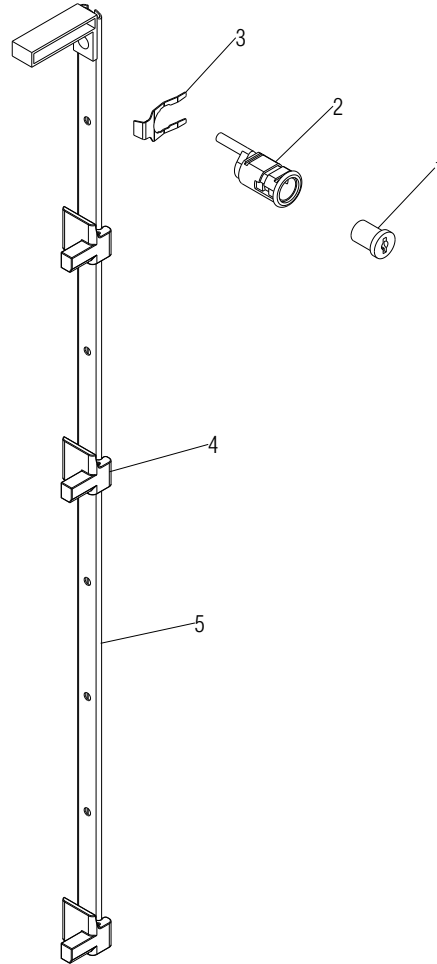
Item 9 requires a quantity of 3 for a 5th Wheel Caster or quantity of 4 for Drawer Front.

5th wheel caster assembly used on Mobile/Freestanding & non-File/File configurations only.

Item	Part Number	Item Description	Req Qty	Item	Part Number	Item Description	Req Qty
1	2.KP20601	Suspension, 20" Box Type Left (15 13/16")	1		2.KP40249.24F	Body, 24" File Drawer (19 5/8")	1
	2.KP20603	Suspension, 24" Box Type Left (19 13/16")	1	7*	2.KP40204.OB	Front, Box Drawer	1
2	2.KP20600	Suspension, 20" Box Type Right (15 13/16")	1	8*	2.KP40204.OF	Front, File Drawer	1
	2.KP20602	Suspension, 24" Box Type Right (19 13/16")	1	9*	2.KP20171	Screw, #10 x 1/2" Type AB	3-4
3	2.KP20618.20L	Suspension, 20" File Type Left (15 13/16")	1	10	2.KP80490	Screw, 8-32 x 1/4"	2
	2.KP20618.24L	Suspension, 24" File Type Left (19 13/16")	1	11	2.KPA1887	Cap, Screw	3
4	2.KP20618.20R	Suspension, 20" File Type Right (15 13/16")	1	12	2.KP40330	Bracket, 5th Wheel Caster	1
	2.KP20618.24R	Suspension, 24" File Type Right (19 13/16")	1	13	2.KP20230	Nut, 5/16"-18 with Lock Washer	1
5	2.KP40249.20B	Body, 20" Box Drawer (15 5/8")	1	14	2.KP20432	Caster, 5th Wheel	1
	2.KP40249.24B	Body, 24" Box Drawer (19 5/8")	1	15	2.KP56024	Handle, Arc Nickel (standard)	1
6	2.KP40249.20F	Body, 20" File Drawer (15 5/8")	1	16	2.KP61840	Handle, Connection Zone	1



■ U-Series® Pedestal - Locks
Parts Diagram



* = Select Color. KI customer service must indicate paint color code on Order Line Note in BPCS.

Box/File = 2 Lock Pins

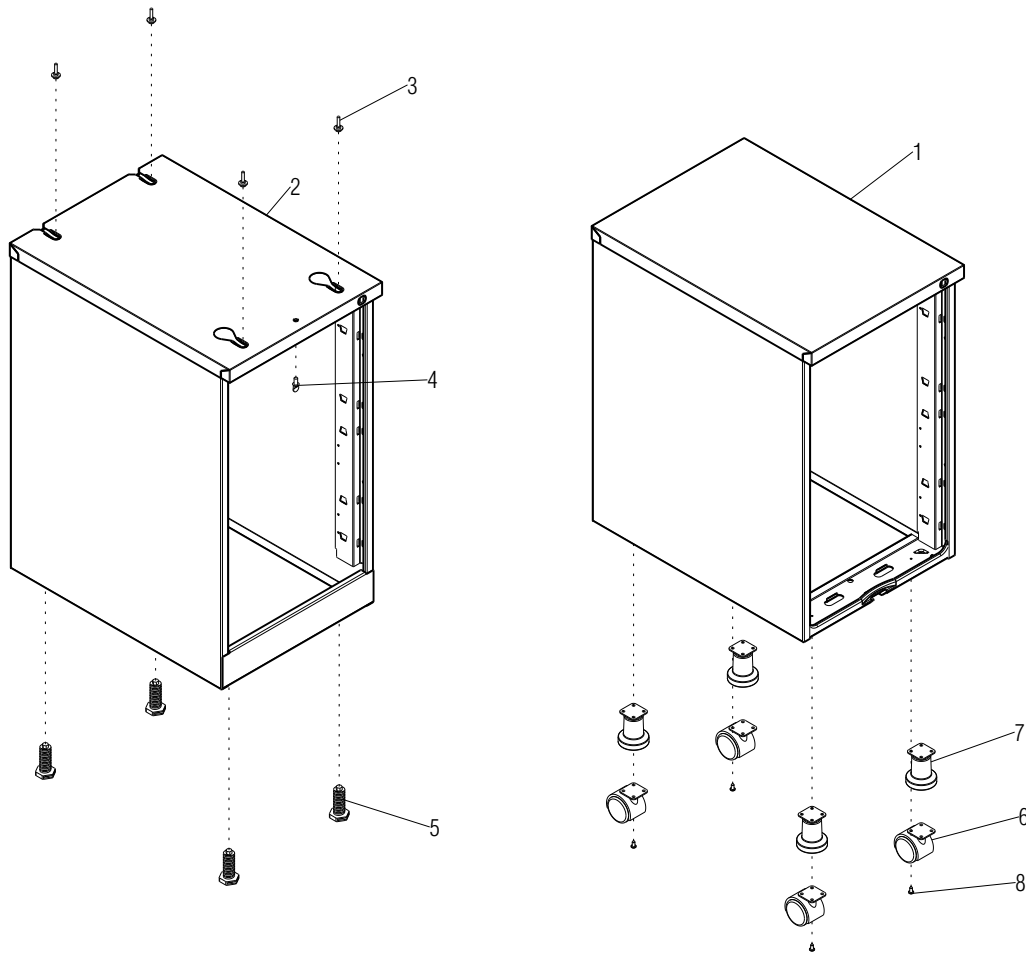
Box/Box/File = 3 Lock Pins

File/File = 2 Lock Pins

Number of Lock Pins must be specified when ordering new Lock Channel

Item	Part Number	Item Description	Req Qty
1	2.KP20522	Core, Keys & Lock (black)	1
	2.KP20522.SC	Core, Keys & Lock (satin chrome)	1
2	2.KP29060	Housing, Lock	1
3	2.KP29005	Clip, Lock	1
4*	2.KP20278	Pin, Lock	1-3
5	2.KP40279.6	Lock Channel - Box/File	1
	2.KP40279.8	Lock Channel - Box/Box/File	1
	2.KP40279.8	Lock Channel - File/File	1





* = Select Color. KI customer service must indicate paint color code on Order Line Note in BPCS.

See pedestal accessories price list for counterbalance weights.

5th Wheel Caster parts are shown on page 1.

Item 6 & Item 7 kits each include four attachment screws (Item 8). These screws are not used to attach the 5th wheel caster.

Item	Part Number	Item Description	Req Qty
1*	2.KP5630020MFBF	Pedestal, 20" Mobile/Freestanding Box/ File (19 3/16" high x 17 5/8" deep)	1
	2.KP5630020FBBF	Pedestal, 20" Mobile/Freestanding Box/ Box/File and File/File (25 1/16" high x 17 5/8" deep)	1
	2.KP5630024MFBF	Pedestal, 24" Mobile/Freestanding Box/ File (19 3/16" high x 21 5/8" deep)	1
	2.KP5630024FBBF	Pedestal, 24" Mobile/Freestanding Box/ Box/File and File/File (25 1/16" high x 21 5/8" deep)	1
2*	2.KP5630020WBBF	Pedestal, 20" Deep Worksurface Supporting Box/Box/File and File/File (27 5/8" high x 17 5/8" deep)	1
	2.KP5630024WBBF	Pedestal, 24" Deep Worksurface Supporting Box/Box/File and File/File (27 5/8" high x 21 5/8" deep)	1
3	2.KP20201	Hanger Bolt, #14 x 7/8"	4
4	2.KP20046	Thumb Screw, 1/4"-20 x 1/2"	1
5	2.KP56025	Glides, .781" - 5 (used on worksurface supporting ped only)	4
6	2.KP56308	Caster Kit, Plate Mounted (4 casters with 5th wheel, includes Item 8 attachment screws) (mobile)	1
7	2.KP56309	Glide Kit, Plate Mounted (4 glides with 5th wheel, includes Item 8 attachment screws) (freestanding)	1
8	2.KP20171	Screw, #10 x 1/2" Type AB (mobile & freestanding only)	4

