

### Features

- 122 airjets release thousands of heated bubbles that surround, support, and massage the body
- Variable-speed blower lets you adjust massage intensity to 18 levels
- Built-in heater
- Automatic and manual purge cycles remove residual water from air channels after use
- 60-minute automatic shutoff timer
- Spacious design accommodates up to two bathers
- Integral lumbar support
- Keypad control
- Textured bottom surface
- Coordinates with other products in the Memoirs collection

### Material

- Acrylic

### Technology

- Heated BubbleMassage™ technology warms and humidifies air before it enters the bath

### Installation

- Drop-in
- Rear center drain

### Required Products/Accessories

K-11677 Bath Drain

or

K-T37391 Rotary-turn bath drain trim

K-T37392 Rotary-turn bath drain trim

or

K-37385 rough-in cable drain, PVC, 45" cable

K-78439 45" cable bath drain

### Recommended Products/Accessories

K-1491 Bath/Whirlpool Pillow

K-1601 Bath/whirlpool footstop, removable



### Codes/Standards

ASME A112.19.7/CSA B45.10

CSA B45.5/IAPMO Z124

ASTM E162

ASTM E662

UL 1795

CSA C22.2 No. 218.2

cUL Listed

UL Listed



### KOHLER® Plastic Baths and Shower Bases Lifetime Limited Warranty KOHLER® Hydrotherapy Components Five-Year Limited Warranty

See website for detailed warranty information.

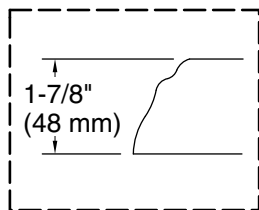
### Available Colors/Finishes

*Color tiles intended for reference only.*

Color	Code	Description
-------	------	-------------

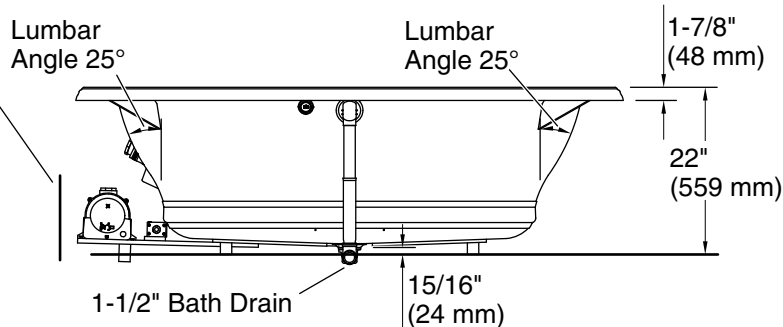
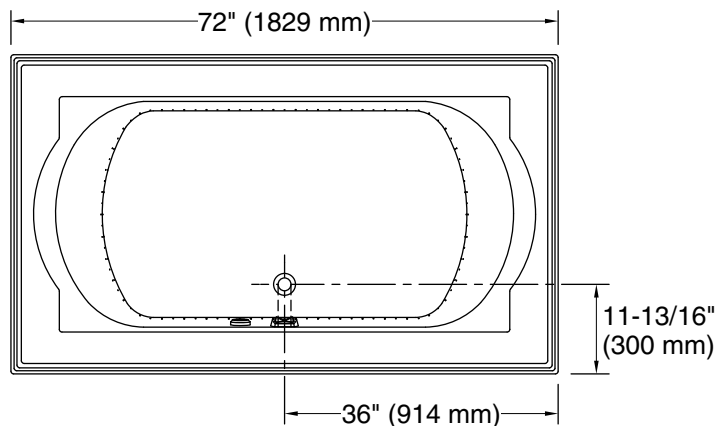
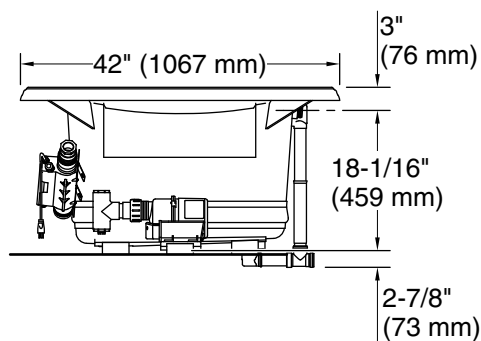
	0	White
	96	Biscuit

No change in measurements if connected with drain illustrated. (K-7161-AF)



**Drop-in Rim Detail**

Blower Motor Access  
34" (864 mm) W x 15" (381 mm) H Min



### Required Electrical Service

Two dedicated circuits required, protected with Class A Ground-Fault Circuit-Interrupter (GFCI). Outside North America, this device may be known as a Residual Current Device (RCD).

Blower: 120 V, 15 A, 60 Hz  
Air bath: 120 V, 15 A, 60 Hz

### Technical Information

All product dimensions are nominal.

Drain location: Center  
Basin area, bottom: 48" x 27" (1219 mm x 686 mm)  
Basin area, top: 60" x 30" (1524 mm x 762 mm)  
Weight: 156 lbs (70.8 kg)  
Minimum floor load: 54 lbs/ft<sup>2</sup> (263.7 kg/m<sup>2</sup>)  
Water depth: 16" (406 mm)  
Water capacity: 94 gal (355.8 L)  
Cutout: Drop-in, 70-1/2" x 40-1/2" (1791 mm x 1029 mm)  
Electrical component rating: Blower: 120 V, 10 A, 60 Hz  
Air bath: 120 V, 5 A, 60 Hz

Minimum flat for 3-13/16" (97 mm)

1-800-4KOHLER (1-800-456-4537)

Kohler Co. reserves the right to make revisions without notice to product specifications.

For the most current Specification Sheet, go to [www.kohler.com](http://www.kohler.com) USA or [www.kohler.ca](http://www.kohler.ca) Canada

2-23-2025 20:21 - US/CA

### Notes

Measure your actual product for rough-in details.

Install this product according to the installation instructions.

The hot water supply should be 70% of the capacity of the bath or greater. Installations will vary.