

## Features

- Single-speed whirlpool offers performance and value with 8 fully adjustable jets
- Hydromassage flow and direction can be controlled at each jet
- Comfort Depth® design offers a convenient 19" step-over height while retaining the same depth as a standard 21" bath
- Integral lumbar support
- Slotted overflow allows for deep soaking
- Integral apron
- Integral flange helps prevent water from seeping behind wall and simplifies alcove installation
- Coordinates with other products in the Archer collection

## Material

- Acrylic

## Hydrotherapy

- Whirlpool

## Installation

- Left drain
- Alcove

## Required Products/Accessories

K-7271 Brass Slotted Overflow Bath Drain

or

K-7272 PVC Slotted Overflow Bath Drain

## Recommended Products/Accessories

K-23726 Drain treatment

K-23732 Tub & shower cleaner

K-31797 Slotted overflow bath drain kit

K-31795 Slotted overflow above-the-floor bath drain kit



**ADA**

## Codes/Standards

ASME A112.19.7/CSA B45.10

CSA B45.5/IAPMO Z124

UL 1795

CSA C22.2 No. 218.2

ADA

ICC/ANSI A117.1





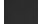
UL Listed

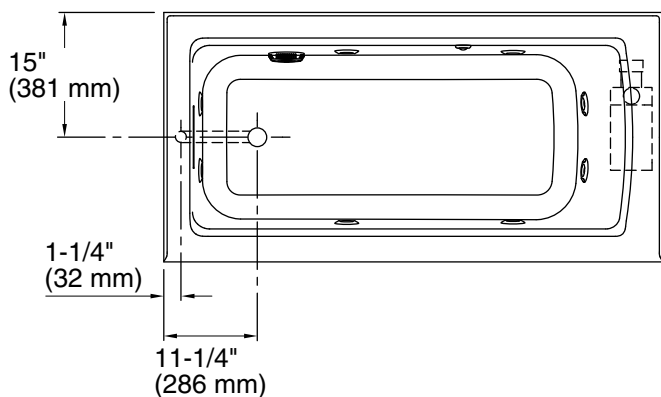
## **KOHLER® Plastic Baths and Shower Bases Lifetime Limited Warranty** **KOHLER® Hydrotherapy Components Five-Year Limited Warranty**

See website for detailed warranty information.

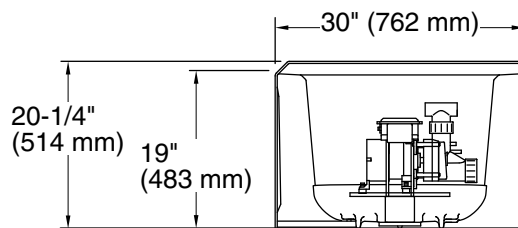
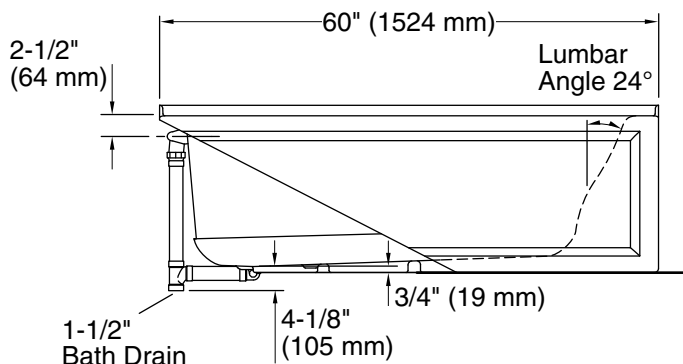
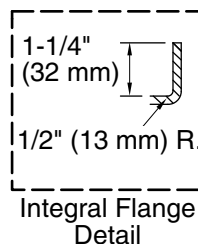
## Available Colors/Finishes

*Color tiles intended for reference only.*

Color	Code	Description
	0	White
	96	Biscuit
	95	Ice™ Grey
	58	Thunder™ Grey
	7	Black Black™



No change in measurements if connected with drain illustrated. (K-7272)



### Required Electrical Service

One dedicated circuit required, protected with Class A Ground-Fault Circuit-Interrupter (GFCI). Outside North America, this device may be known as a Residual Current Device (RCD).

Pump: 120 V, 15 A, 60 Hz

### Technical Information

All product dimensions are nominal.

- Drain location: Left
- Basin area, bottom: 45-1/8" x 19-11/16" (1146 mm x 500 mm)
- Basin area, top: 52-1/8" x 22-1/16" (1324 mm x 560 mm)
- Weight: 113 lbs (51.3 kg)
- Minimum floor load: 49 lbs/ft<sup>2</sup> (239.2 kg/m<sup>2</sup>)
- Water depth: 15-1/8" (384 mm)
- Water capacity: 57 gal (215.8 L)
- Electrical component rating: Pump: 120 V, 7 A, 60 Hz
- Pump speed: Single
- Minimum flat for door: 2-9/16" (66 mm)

### Notes

Measure your actual product for rough-in details.

Install this product according to the installation instructions.

The hot water supply should be 70% of the capacity of the bath or greater. Installations will vary.

ADA compliant when installed to the specific requirements of these regulations.