

Features

- Two-function pull-down sprayhead allows you to switch from aerated stream to Sweep® spray
- Sweep® spray creates a wide, forceful blade of water for superior cleaning
- DockNetik® secure docking system locks sprayhead into place when not in use
- ProMotion® technology's light, quiet braided hose and swiveling ball joint make the pull-down sprayhead easier and more comfortable to use
- MasterClean™ sprayface features an easy-to-clean surface that withstands mineral buildup and maximizes spray performance
- KOHLER® ceramic disc valves exceed industry longevity standards for a lifetime of durable performance
- High-arch spout with 360° spout rotation offers superior clearance for filling pots and cleaning
- Single-handle operation facilitates flow and temperature control
- Temperature memory allows faucet to be turned on and off at the temperature set during prior usage
- 1.5 gpm (5.7 lpm) maximum flow rate at 60 psi (4.14 bar)

Material

- Premium material construction for durability and reliability
- KOHLER finishes resist corrosion and tarnishing

Installation

- Single- or three-hole installation (escutcheon included)

Adapters, Rough-in and Extension Kits

1012715 Range: 1-3/8" (35 mm) -
3-3/8" (86 mm)



ADA **CSA B651**

Codes/Standards




ASME A112.18.1/CSA B125.1
NSF/ANSI/CAN 61
NSF/ANSI/CAN 372
DOE - Energy Policy Act 1992
California Energy Commission (CEC)
ADA
ICC/ANSI A117.1
CSA B651

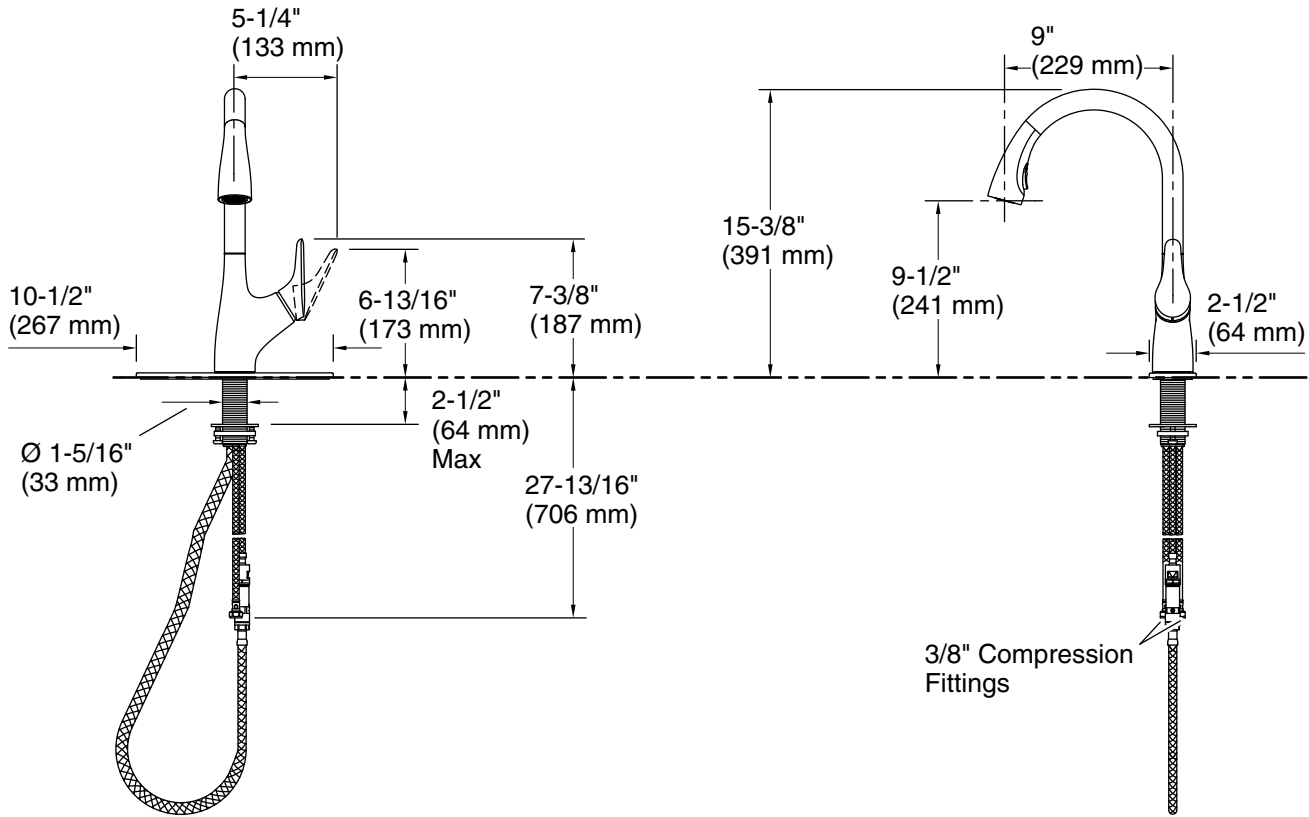
KOHLER® Faucet Lifetime Limited Warranty

See website for detailed warranty information.

Available Colors/Finishes

Color tiles intended for reference only.

Color	Code	Description
	CP	Polished Chrome
	VS	Vibrant® Stainless
	BL	Matte Black



Technical Information

All product dimensions are nominal.

Faucet flow rate: 1.5 gal/min (5.7 l/min)

Drain included: No

Spout:

Spout reach: 9" (228 mm)

Notes

Install this product according to the installation instructions.

ADA compliant for faucet handles only

ADA, CSA B651 compliant when installed to the specific requirements of these regulations.